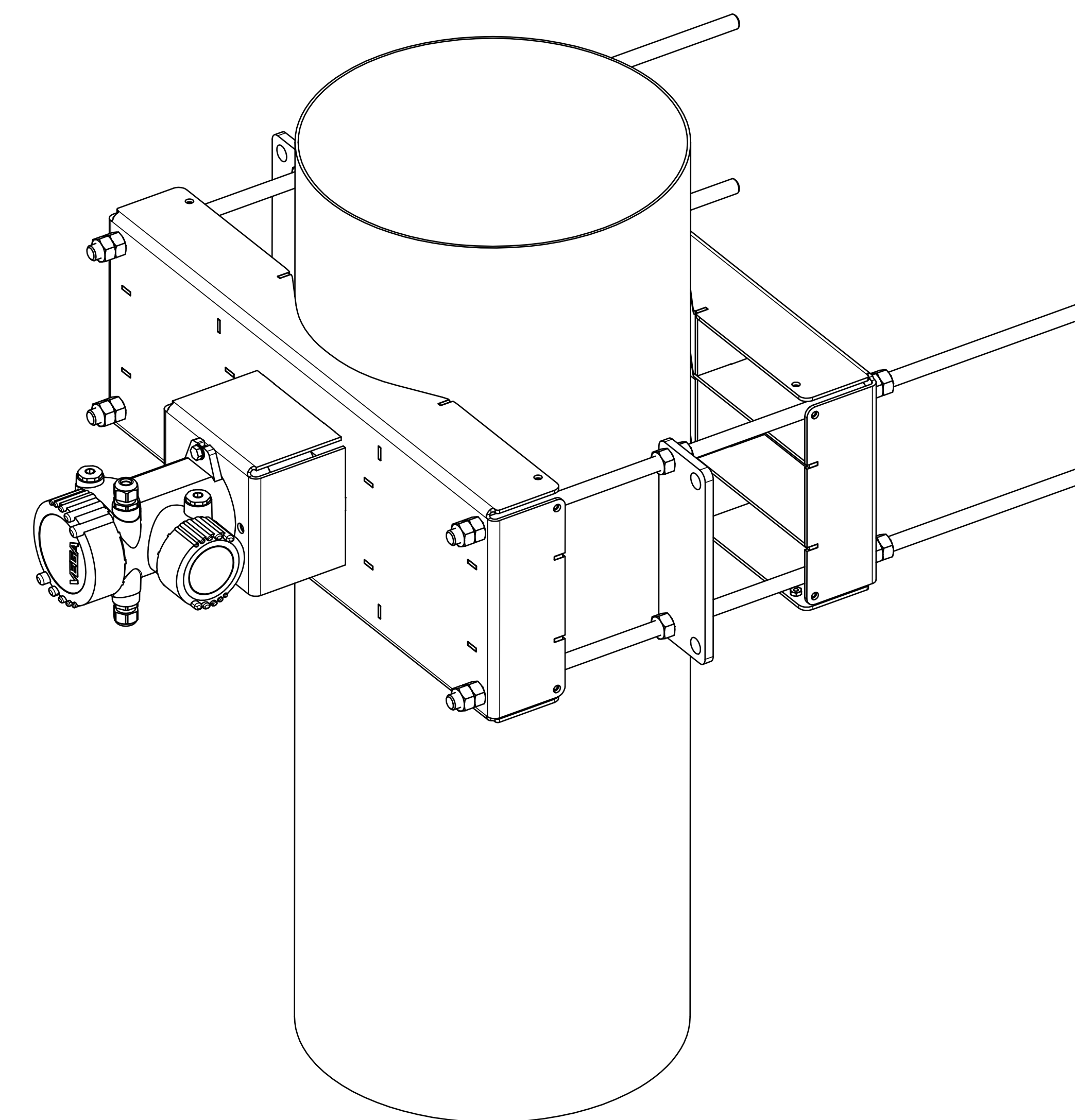
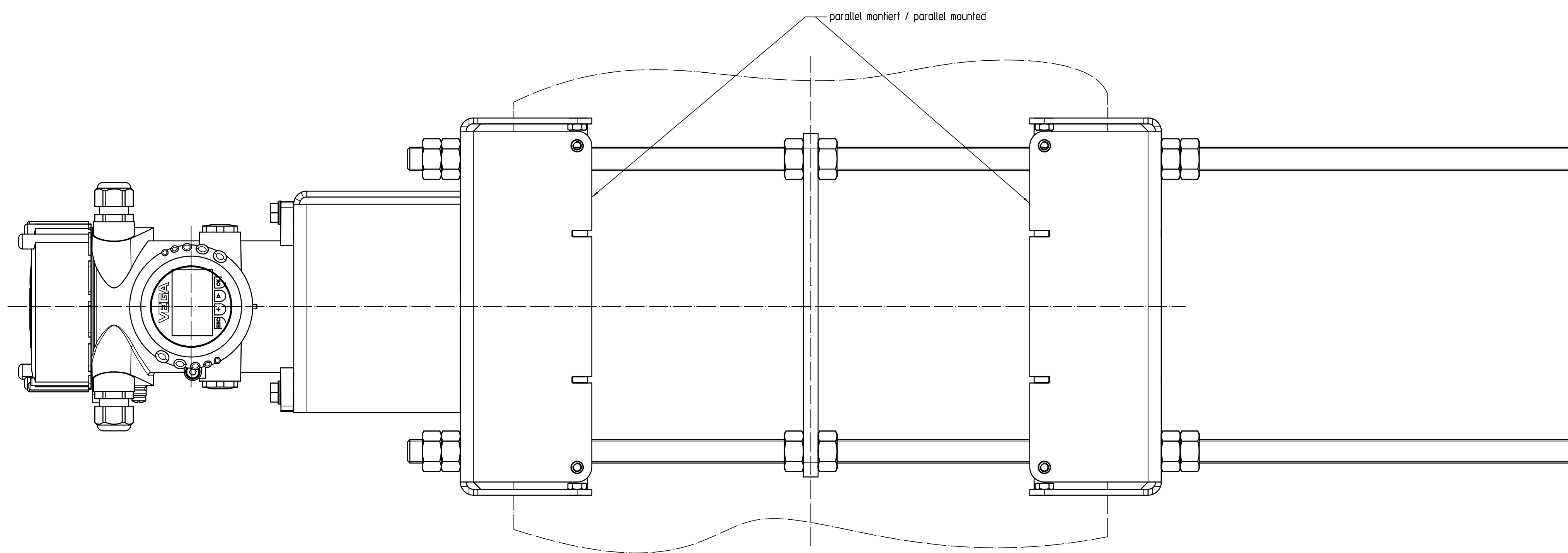
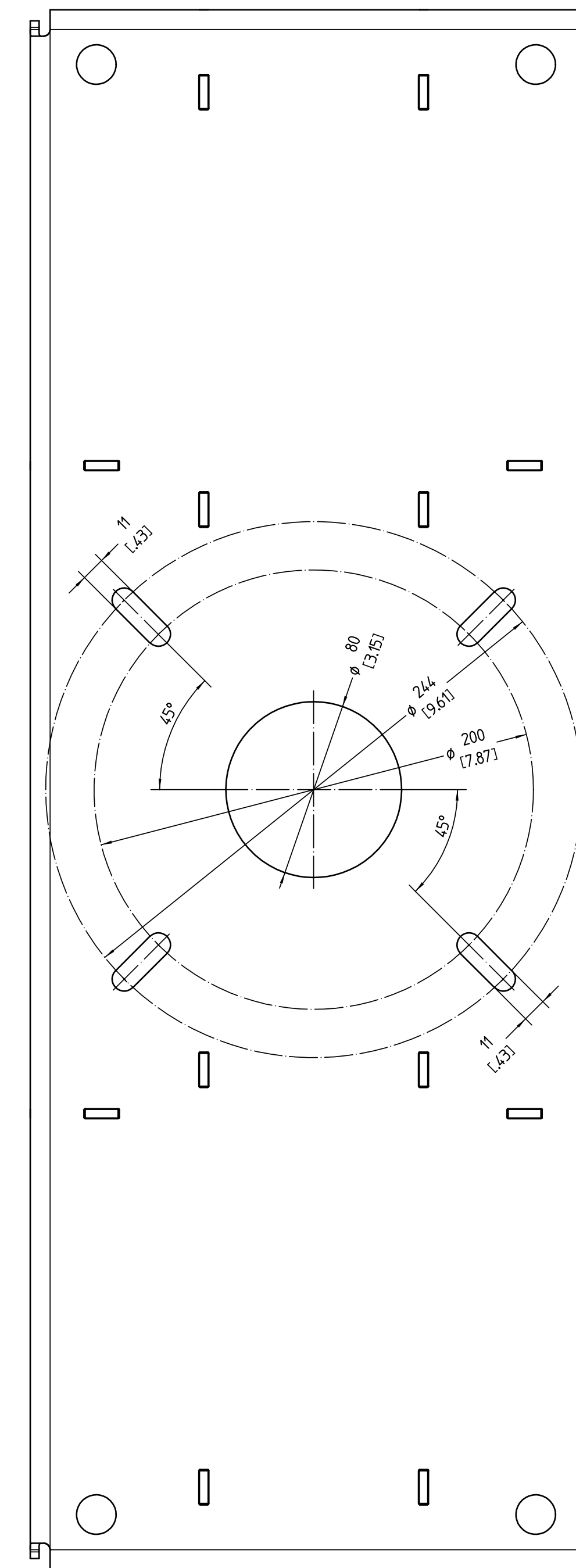


Ansicht A / view A



Rohr / pipe DN (inch)	AD / OD	A
400 (16")	406,4 (16")	782 (30.8")
450 (18")	457,2 (18")	841 (33.1")
500 (20")	508 (20")	900 (35.4")
550 (22")	559 (22")	959 (37.8")
600 (24")	610 (24")	1016 (40")

Gewicht der Klemmvorrichtung KV31D1AXI: 40 kg  
Weight of the mounting bracket KV31D1AXI: 40 kg

Bemessungen / Dimensions: mm (inches)

Passepartout / Identification		Änderung / Revision		Date / Date		Signature / Signature	
Project / Projekt	26.01.2014	Project / Projekt	26.01.2014	Project / Projekt	26.01.2014	Project / Projekt	26.01.2014
Author / Autor	MB6183	Author / Autor	MB6183	Author / Autor	MB6183	Author / Autor	MB6183
Check / Überprüfen	MB6183	Check / Überprüfen	MB6183	Check / Überprüfen	MB6183	Check / Überprüfen	MB6183
Release / Freigabe	MB6183	Release / Freigabe	MB6183	Release / Freigabe	MB6183	Release / Freigabe	MB6183

The drawing is the property of VEGA-Drucktechnik AG. It is not to be reproduced, stored in a retrieval system, or transmitted in any form or by any means, electronic, mechanical, photocopying, recording, or by any information storage and retrieval system, without the prior written permission of VEGA-Drucktechnik AG. All rights reserved. © VEGA-Drucktechnik AG 2014.