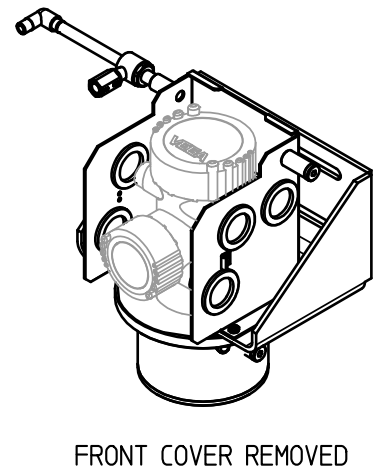
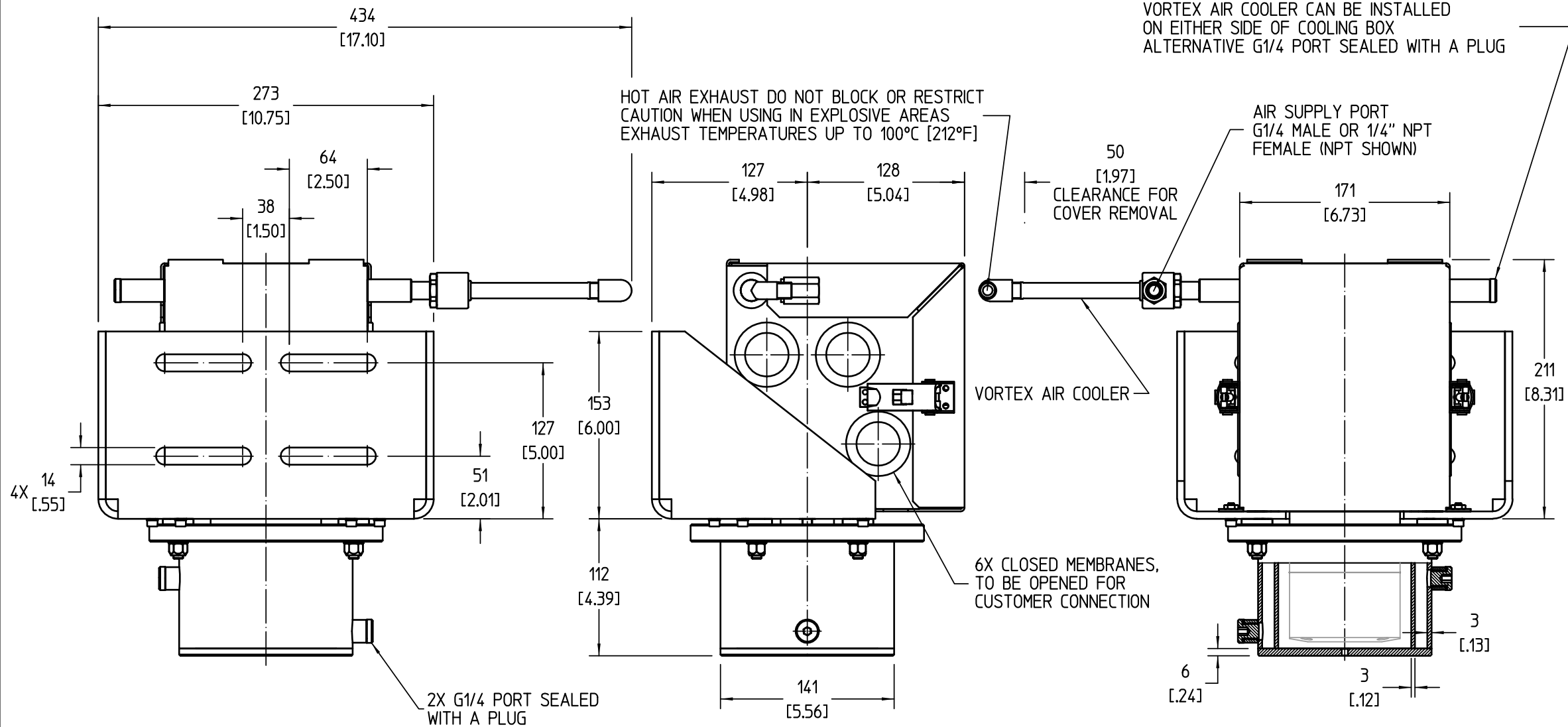


THIS DOCUMENT INCLUDES INFORMATION WHICH IS PROPRIETARY TO VEGA AMERICAS INC. NEITHER THIS DOCUMENT NOR THE INFORMATION DISCLOSED HEREIN SHALL BE USED OR DISCLOSED TO OTHERS FOR MANUFACTURING OR ANY OTHER PURPOSE EXCEPT AS SPECIFICALLY AUTHORIZED IN WRITING BY VEGA AMERICAS INC. THIS DOES NOT APPLY TO INFORMATION FURNISHED BY VENDORS OR OTHERS OUTSIDE VEGA AMERICAS INC.

Diese Zeichnung bleibt Eigentum der Firma VEGA Americas Inc. Sie darf ohne unsere Genehmigung weder kopiert, noch 3. Personen oder Konkurrenzfirmen mitgeteilt werden. (g 2 Abs.1 Ziff.7 UrhG vom 09.09.1965)



NOTES:
1. EXPOSED MATERIAL IS 316 STAINLESS STEEL WITH RUBBER MENBRANES.
2. APPROXIMATE WEIGHT OF COOLING SYSTEM IS 10.3 kg [23 lb].

		08	ADDED NOTES		31318	23.04.2019	conleym	shreveb		
		07	ADDED NOTES		29479	27.04.2018	jhaward	shreveb		
		06	UPDATED AIRBOX DESIGN		27459	23.11.2016	shreveb	shreveb		
		05	UPDATED AIR BOX COOLER CONNECTION		27099	15.09.2016	grieshopc	shreveb		
			UPDATED DIMENSION							
			UPDATED DIMENSION							
Passmaß/tol.dimens.	Abmaß/allowance	Änderung / revision						Änd. Nr. / EON no.	Datum / Date	gezeichnet / freigegeben / drawn / checked
	Freimaßtoleranz general tolerance	gezeichnet / drawn	Datum/Date	Name/Name	Benennung		Description			
		freigegeben / checked	17.06.2015	grieshopc	AIR COOLING		AIR COOLING			
		Maßstab Scale	13.08.2015	shreveb	MINITRAC 31 (VERTICAL)		MINITRAC 31 (VERTICAL)			
Werkstoff / Material		Originalformat size of origin	 VEGA Americas Inc. 4241 Allendorf Drive Cincinnati, Ohio 45209 USA		Art.Nr. / Art.No.		MB6570-US		Änd.-Zust. / Rev.	
		B			Zchngs.-Nr. / Drawing No.		MB6570-US			08
		Blatt / Sheet			Var.Fam.: MT-C31.XX2AXVMXX		Var.Fam.2:MINITRAC31-CO			
		1	Teil ähnl. / sim. part		Ersatz f./replacement f.					
		1	Arb.Anw. / work.instr.				DIMENSIONS/BEMASSUNGEN: mm (INCHES)			