

VEGAMAG 63

Magnetic Level Indicator



General

Chamber Configuration See chart on back

Materials

- Chamber 304/L, 316/L, 317 321, 347stst Monel, Titanium, Hastelloy C, Custom
 - Flat Top Float 316 SS (Std.), Titanium, Hastelloy

Chamber Size 2" (Std.), 2 1/2", 3", 4", Custom

Flange Class ANSI 150#, 300#, 400#, 600#, 900#, 1500#, 2500#

Vessel Connection 1/2", 3/4", 1" (Std.), 1 1/4", 1 1/2", 2", 2 1/2", 3" Schedule 10 and 40 extruded tee available

Top Connection 1/2", 3/4", 1", 1 1/4", 1 1/2", 2" (Std.), 2 1/2", 3"

Transmitter Options VEGAPULS 62, VEGAPULS 63, VEGAPULS 66

Vent/Drain NPT Drain only, Side Vent and NPT Drain, Bleed Ring Vent and NPT Drain

Mechanical

Weight Application dependent

Overall Length Up to 50' (15 m) Consult factory for lengths over 50'

Accuracy ± 0.1" (±3 mm)

High Temperature Options Insulation blankets, electric heat tracing, cryogenic insulation, and freeze protection, etc.

Indication

Style Stainless, High Temperature, Wide Flag

Indicator Flags Magnetically actuated high temperature stainless flags in yellow/black also other colors available

Flag Assembly Seal Gasket (Std.)

Scale Options Etched stainless steel with either height, volume, or percentage units

Visual Indication Easily visible from 200 feet

The VEGAMAG 63 design offers a unique configuration that combines the VEGAMAG 61 magnetic level indicator and VEGAPULS non-contact radar transmitter in a single chamber. This design provides many benefits, such as a smaller installation envelope and lighter weights. This design is also ideal for specific applications such as foaming, light hydrocarbons, very low Dk values, and when interface measurement is required.

Features

- VEGAPULS non-contact radar technology
- Innovative flag design maximizes magnetic field
- Wide flags for enhanced indicator view
- Corrosion-resistant moving parts
- Wide variety of materials
- Fabricated to ASME 31.1/31.3 standards
- Glass or impact resistant polycarbonate indicator window

Approvals

This instrument is suitable for use in hazardous areas and is approved according to ATEX, FM, CSA, NACE, CRN, and IEC standards.

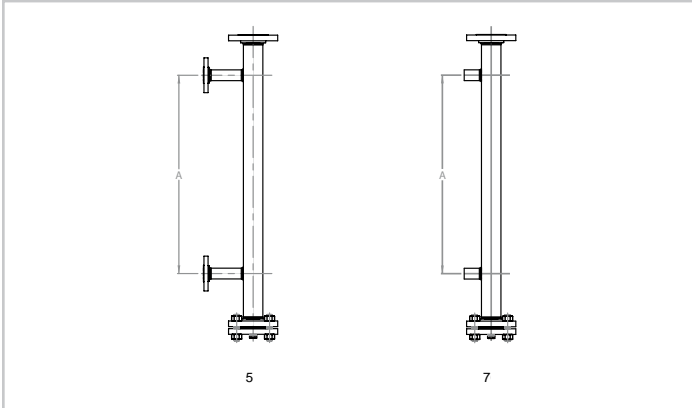
Environmental

Process Temperature Transmitter: -320° to 842°F (-195° to 450°C)

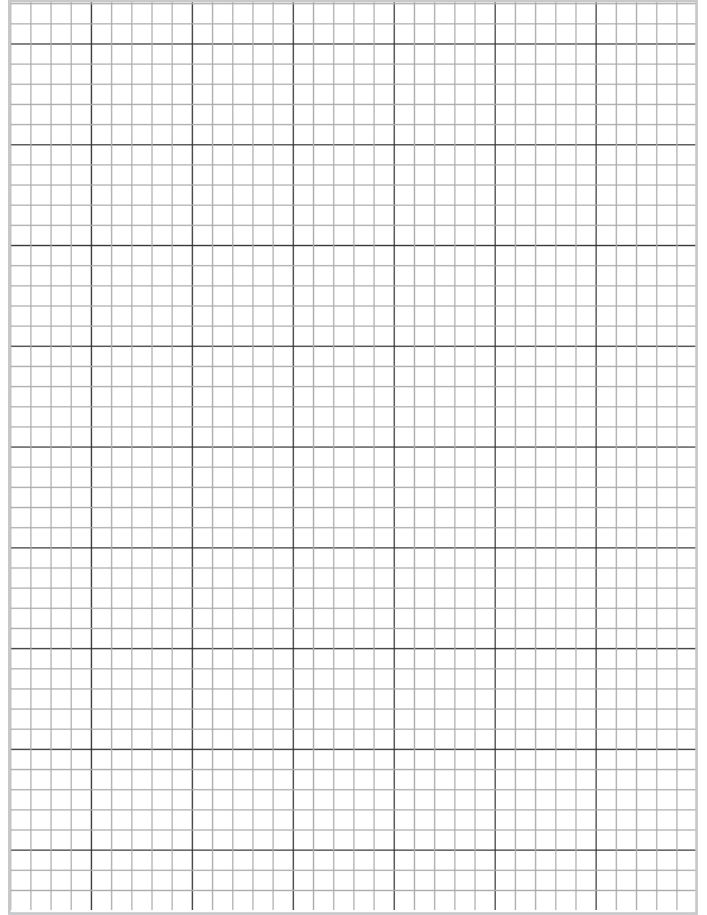
Process Pressure Full vacuum to 5,800 psi (400 bar)

Specific Gravity Range As low as 0.35 S.G.U.

MLI Styles



Application Grid



Information

Further information about VEGA products is available at www.vega-americas.com.