

FIBERTRAC 32

4 ... 20 mA/HART - four-wire

Radiation-based sensor for continuous level and interface measurement



Application area

The FIBERTRAC 32 is a radiation-based sensor for continuous measurement of liquids and bulk solids. It is suitable for level and interface measurement under extreme process temperatures, in aggressive products or products with problematic properties. Due to the enlarged detector, the FIBERTRAC 32 delivers even quicker and more precise measuring results even under the toughest application conditions.

Your benefit

- High plant availability through non-contact measurement
- Simple mounting on round and conical vessels thanks to flexible detector
- Efficiency due to the large measuring range

Function

In radiation-based measurement, a Caesium-137 or Cobalt-60 isotope emits focussed gamma rays. A special sensor on the opposite side of the vessel receives this radiation. The scintillator of the sensor converts these gamma rays into signals, the number of which is detected and evaluated. Since gamma rays are attenuated when penetrating matter, the sensor is able to calculate the level, the limit level, the density and the mass flow rate from the intensity of the received radiation.

Technical data

Measuring range	1 ... 7 m (3.28 ... 22.97 ft)
Repeatability	±0.5 % at -20 °C ... +50 °C (-4 °F ... +122 °F)
Ambient temperature	-20 °C ... +50 °C (-4 °F ... +122 °F) Extended range available

Voltage supply

Operating voltage	20 ... 72 V DC; 20 ... 253 V AC, 50/60 Hz
Max. power consumption	4 W; 6 VA

Analogue input

Input type	4 ... 20 mA passive
Internal load	250 Ω

Switching input

Input type	
– Open Collector	10 mA
– Relay contact	100 mA

Relay output

Switching voltage	min. 10 mV, max. 253 V AC, 253 V DC
Switching current	min. 10 µA, max. 3 A AC, 1 A DC
Breaking capacity	min. 50 mW, max. 750 VA AC, 40 W DC

Current output

Range	4 ... 20 mA/HART, active or passive
Max. load	500 Ω (300 Ω with intrinsically safe IS)

Switching output

Type of output	NPN transistor output (floating)
Switching voltage	< 55 V DC
Load current	< 400 mA
Weight	max. 10.2 kg (24 lbs) + 2.31 kg/m (1.55 lbs/ft)
SIL qualification	Optionally up to SIL2

Materials/Scintillator

The detector rod consists of galvanized steel with a Santoprene rubber coating. Polystyrene is used as scintillation material.

Housing versions

The housing is available as double chamber version of Aluminium or stainless steel in protection class IP 66/IP 67.

Electronics versions

The instruments are available in different electronics versions. Apart from the four-wire electronics with 4 ... 20 mA/HART, two purely digital versions with Profibus PA and Foundation Fieldbus are possible.

Approvals

You can find detailed information on the existing approvals in the "configurator" on our homepage at www.vega.com/configurator.

Adjustment

The adjustment of the instrument is carried out via the optional display and adjustment module PLICSCOM or via a PC with the adjustment software PACTware and corresponding DTM.

The Bluetooth version of display and adjustment module enables a wireless connection to standard adjustment units. This can be for example a PC with PACTware and Bluetooth USB adapter.

Here, the adjustment is carried out via the adjustment software PACTware and the respective DTM.

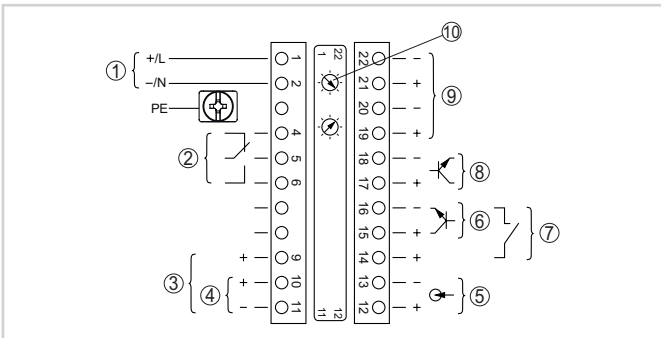


Adjustment possibilities

Further adjustment options are possible via a HART Communicator as well as manufacturer-specific programs such as AMS™ or PDM.

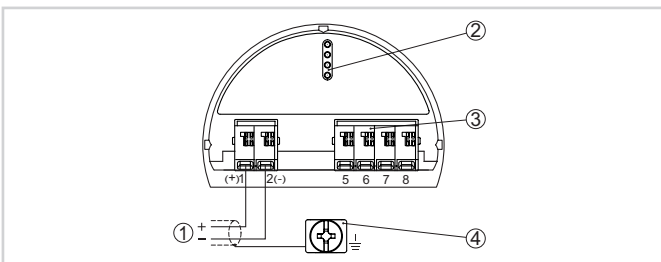
Electrical connection

Two connection chambers are available. Depending on the instrument version, the signal output is either in the primary or in the secondary chamber.



Primary terminal connections

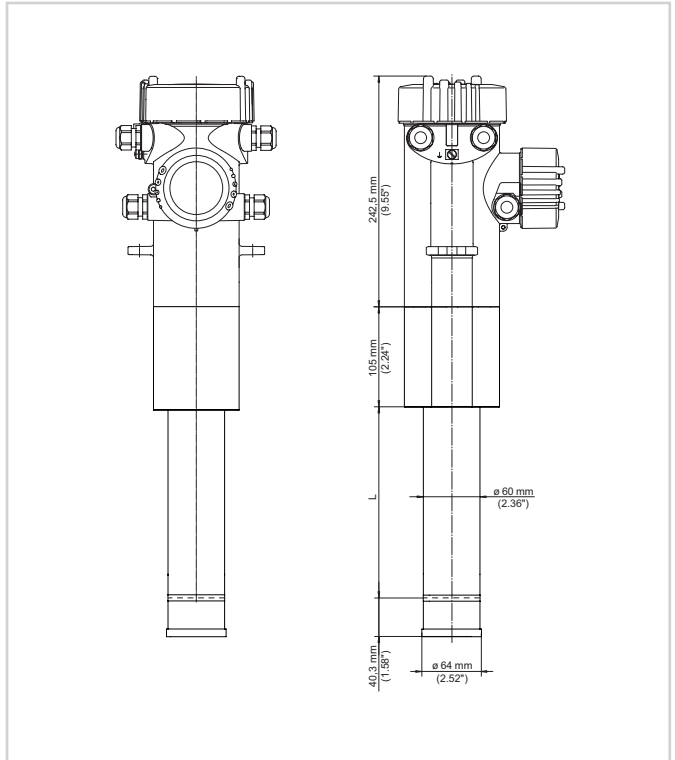
- 1 Voltage supply
- 2 Relay output
- 3 Signal output 4 ... 20 mA/HART active
- 4 Signal output 4 ... 20 mA/HART passive
- 5 Signal input 4 ... 20 mA
- 6 Switching input for NPN transistor
- 7 Switching input floating
- 8 Transistor output
- 9 Interface for sensor-sensor communication
- 10 Setting the bus address for sensor-sensor communication (MGC)



Secondary terminal connections

- 1 4 ... 20 mA output option (only intrinsically safe instruments)
- 2 PLICSCOM connection
- 3 Connections for external indication (VEGADIS 61)
- 4 Ground connection

Dimensions



Dimensions FIBERTRAC 32

Information

You can find further information on the VEGA product line on our homepage www.vega.com.

In the download section under www.vega.com you'll find free operating instructions, product information, brochures, approval documents, instrument drawings and much, much more.

Instrument selection

With the "Finder" at www.vega.com and "VEGA Tools" you can select the most suitable measuring principle for your application.

You can find detailed information on the instrument versions in the "Configurator" at www.vega.com and "VEGA Tools".

Contact

You can find the VEGA agency serving your area on our homepage www.vega.com.