

## Mounting instructions

### Protective cover



Document ID:  
34296



## Contents

<b>1 For your safety</b>	
1.1 Authorised personnel . . . . .	3
1.2 Appropriate use . . . . .	3
1.3 General safety instructions . . . . .	3
1.4 Safety instructions for Ex areas . . . . .	3
<b>2 Product description</b>	
2.1 Structure . . . . .	4
2.2 Principle of operation . . . . .	5
<b>3 Mounting</b>	
3.1 Mounting preparations . . . . .	6
3.2 Mounting steps . . . . .	6
<b>4 Supplement</b>	
4.1 Technical data . . . . .	8
4.2 Dimensions . . . . .	9

## **1 For your safety**

### **1.1 Authorised personnel**

All operations described in this operating instructions manual must be carried out only by trained specialist personnel authorised by the plant operator.

During work on and with the device the required personal protective equipment must always be worn.

### **1.2 Appropriate use**

The protective cover is an accessory or retrofit part for sensors from the VEGA plics® line of products.

### **1.3 General safety instructions**

The safety information in the operating instructions manual of the respective sensor must be noted.

### **1.4 Safety instructions for Ex areas**

Please note the Ex-specific safety information for installation and operation in Ex areas. These safety instructions are part of the operating instructions manual and come with the Ex-approved instruments.

## 2 Product description

### 2.1 Structure

#### Scope of delivery

The scope of delivery encompasses:

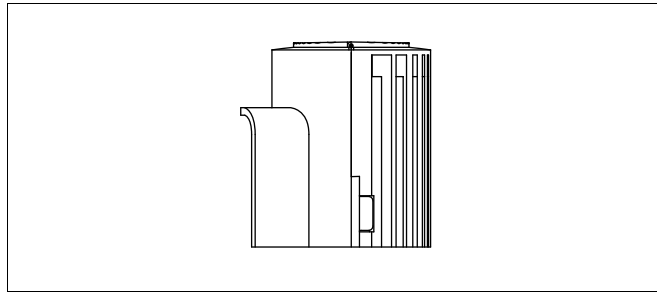
- Protective cover
- Documentation
  - this operating instructions manual

#### Constituent parts

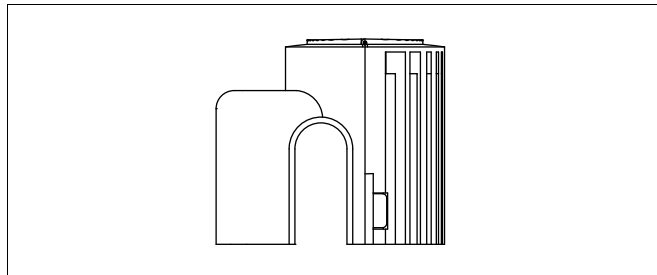
The protective cover is available in two versions:

- For single chamber housing (plastic and stainless steel)
- For double chamber housing and Aluminium single chamber housing

The two versions differ in configuration and size; function and handling are identical.



*Fig. 1: Protective cover for single chamber housing*



*Fig. 2: Protective cover for double chamber housing und Aluminium single chamber housing*

## 2.2 Principle of operation

### Application area

The protective cover is an accessory or retrofit part for level, switching and pressure sensors from the VEGA plics® product line. It is suitable for sensors with or without indicating and adjustment module. The height difference of the housing is compensated by the supplied foam rubber adapter disc.

With double chamber housings, the indicating and adjustment module must be mounted on top.

### Functional principle

The protective cover protects the sensor housing against soiling and intense heat from solar radiation when it is mounted outdoors.

It consists of two half-shells with hinge held together by a snap-on connection. A secure hold on the sensor housing is ensured via fastening elements. Ventilation slots allow air circulation.

The protective cover is put on after the sensor is mounted and commissioned. It is not necessary to interrupt the electrical connection.

## 3 Mounting

### 3.1 Mounting preparations

#### Tools

No tools are required for mounting.

### 3.2 Mounting steps

Proceed as follows:

- 1 Open the snap connection by pressing on the smooth housing half

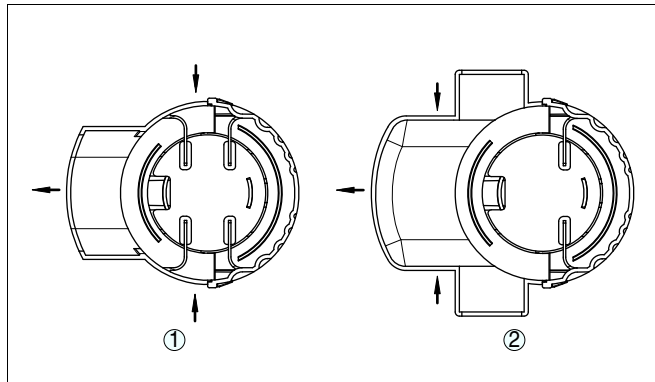


Fig. 3: Loosen the snap-on connection by pushing and pulling

- 1 Version for single chamber housing
- 2 Version for double chamber housing

- 2 Opening the protective cover

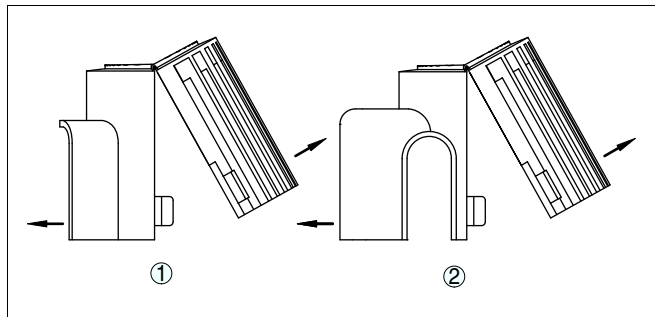


Fig. 4: Opening the protective cover

- 1 Version for single chamber housing
- 2 Version for double chamber housing

- 3 In case of sensor housing with integrated indicating and adjustment module, remove the foam rubber disc
- 4 Slide the protective cover over the sensor housing

## 5 Close the protective cover and snap in the snap connection

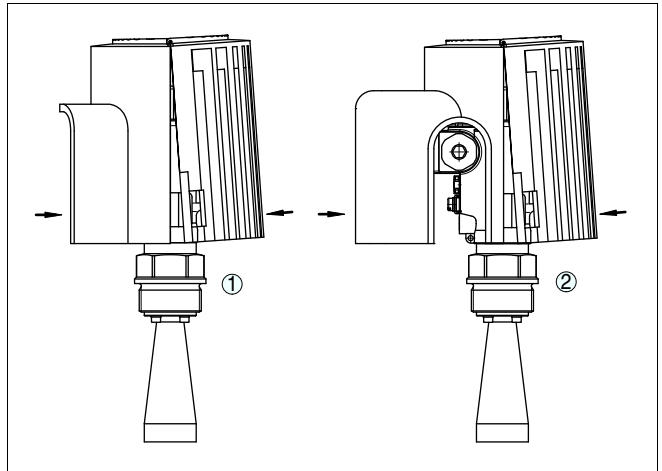


Fig. 5: Close the protective cover

- 1 Version for single chamber housing
- 2 Version for double chamber housing

6 Check if the protective cover is sitting firmly on the sensor housing  
Assembly is finished.

Dismounting is carried out correspondingly in reverse order.

## 4 Supplement

### 4.1 Technical data

#### General data

---

Material	plastic PBT
Colour	Tele grey (RAL 7047)
Weight	approx. 0.3 kg (0.661 lbs)

---

#### Ambient conditions

---

Ambient, storage and transport temperature	-40 ... +80 °C (-40 ... +176 °F)
--	----------------------------------



## 4.2 Dimensions

### Protective cover for single chamber housing

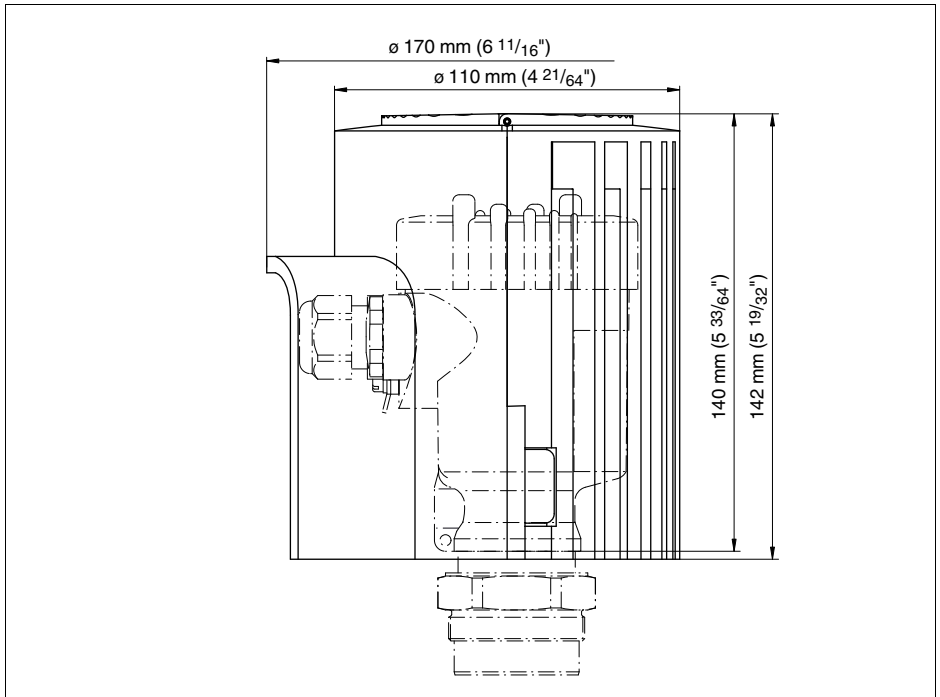


Fig. 6: Protective cover for single chamber housing

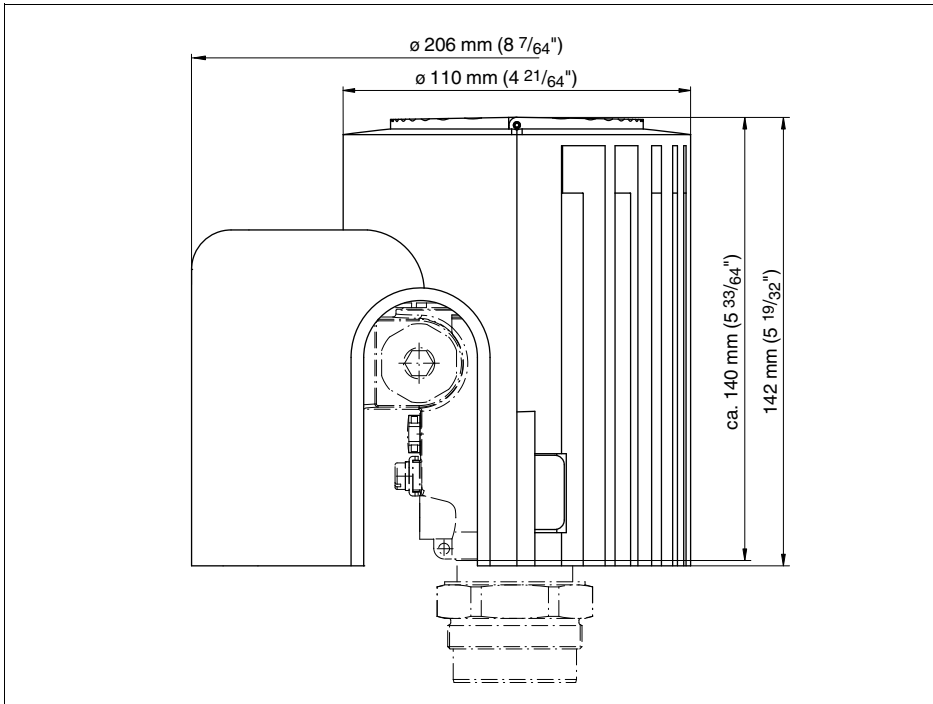
**Protective cover for double chamber housing**

Fig. 7: Protective cover for double chamber housing und Aluminium single chamber housing





Printing date:

VEGA Grieshaber KG  
Am Hohenstein 113  
77761 Schiltach  
Germany  
Phone +49 7836 50-0  
Fax +49 7836 50-201  
E-mail: [info.de@vega.com](mailto:info.de@vega.com)  
[www.vega.com](http://www.vega.com)



All statements concerning scope of delivery, application, practical use and operating conditions of the sensors and processing systems correspond to the information available at the time of printing.

© VEGA Grieshaber KG, Schiltach/Germany 2012