

## VEGABAR 81

### HART and accumulator pack

### Pressure transmitter with chemical seal



#### Application area

The VEGABAR 81 is a pressure transmitter with chemical seal for pressure and level measurement. The chemical seals of the VEGABAR 81 adapted to the process ensure a reliable measurement even in highly corrosive and hot products.

Due to the integrated accumulator the instrument is particularly suitable as a portable measuring system or test sensor for special applications.

#### Your benefit

- Simple adaptation, thanks to versatile configuration
- Reliable measurement up to temperatures of 400 °C
- Reliable measurement independent of foam generation and tank installations

#### Function

The heart of the pressure transmitter is the pressure measuring cell transforming the pressure into an electrical signal. This pressure-dependent signal is converted by the integrated electronics into a standardized output signal.

For this reason, the VEGABAR 81 is provided with a completely welded chemical seal system with internal transmission liquid. For measuring ranges up to 40 bar, a piezoresistive sensor element is used, from 100 bar a strain gauge sensor element.

#### Technical data

Measuring ranges	-1 ... +1000 bar/-0.1 ... +100 MPa (-14.5 ... +15000 psig)
Smallest measuring range	+0.4 bar/+40 kPa (+5 psig)
Deviation	< 0.2 %
Process fitting	Threads from G $\frac{1}{2}$ , flanges from DN 15, $\frac{1}{2}$ ", hygienic fittings
Process temperature	-90 ... +400 °C (-130 ... +752 °F)
Ambient, storage and transport temperature	-40 ... +80 °C (-40 ... +176 °F)
Accumulator voltage	14.8 V DC
Life time with sensor permanently on and full accumulator	>60 h

#### Materials

The process fitting is made of stainless steel 316L. The process diaphragm is available in 316L and in the high resistance materials Alloy C276, Tantalum as well as PTFE on 316Ti.

You will find a complete overview of the available materials and seals in the "Configurator" at [www.vega.com](http://www.vega.com) and "Products".

#### Housing versions

The instrument is available as double chamber version in plastic, stainless steel or aluminium.

#### Electronics versions

Apart from the two-wire electronics with 4 ... 20 mA or 4 ... 20 mA/HART, also purely digital versions with Profibus PA, Foundation Fieldbus and are available. In addition a version as Slave sensor is available for the electronic differential pressure measurement.

#### Approvals

You can find detailed information at [www.vega.com/downloads](http://www.vega.com/downloads) and "Approvals".

### Adjustment

#### Adjustment on the measurement loop

The adjustment of the instrument is carried out via the optional display and adjustment module PLICSCOM or via a PC with the adjustment software PACTware and corresponding DTM.

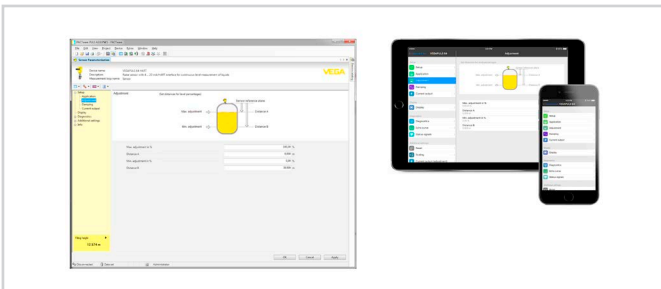
#### Wireless adjustment via Bluetooth

The Bluetooth version of display and adjustment module enables a wireless connection to standard adjustment units. This can be smartphones/tablets with iOS or Android operating system or PCs with PACTware and Bluetooth USB adapter.



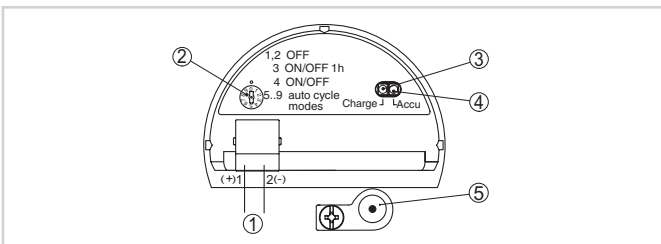
Wireless connection to standard operating devices

Adjustment is hence carried out via a free-of-charge app from the Apple App Store or the Google Play Store or via the adjustment software PACTware and respective DTM.



Adjustment via PACTware or app

### Voltage supply

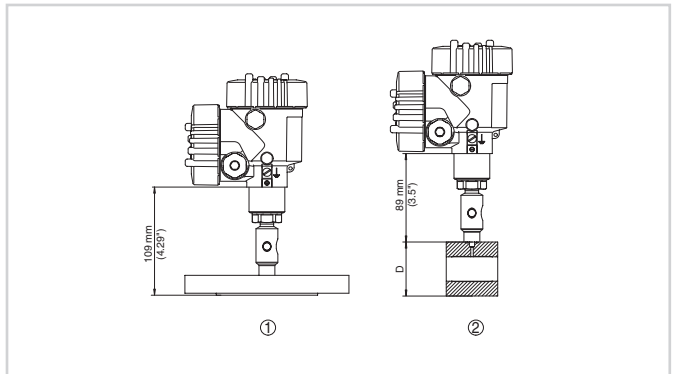


Supply room

- 1 Internal connection of the socket for the battery charger
- 2 Mode switch
- 3 LED green, charging process
- 4 LED yellow, charging status
- 5 Socket for the battery charger

You can find details on electrical connection in the instrument operating instructions at [www.vega.com/downloads](http://www.vega.com/downloads).

### Dimensions



Dimensions VEGABAR 81

- 1 Flange version +150 °C
- 2 Version with tube isolating diaphragm +150 °C

### Information

You can find further information about the VEGA product line on [www.vega.com](http://www.vega.com).

In the download section at [www.vega.com/downloads](http://www.vega.com/downloads) you'll find operating instructions, product information, brochures, approval documents, instrument drawings and much, much more.

There, you will also find GSD and EDD files for Profibus PA systems as well as DD and CFF files for Foundation Fieldbus systems.

### Instrument selection

Under "Specify product" on [www.vega.com](http://www.vega.com) and "Products" you can select the suitable measuring principle and instrument for your application.

You can find detailed information on the instrument versions in the "Configurator" at [www.vega.com](http://www.vega.com) and "Products".

### Contact

You can find your personal contact person at VEGA on our homepage [www.vega.com](http://www.vega.com) and "Contact".