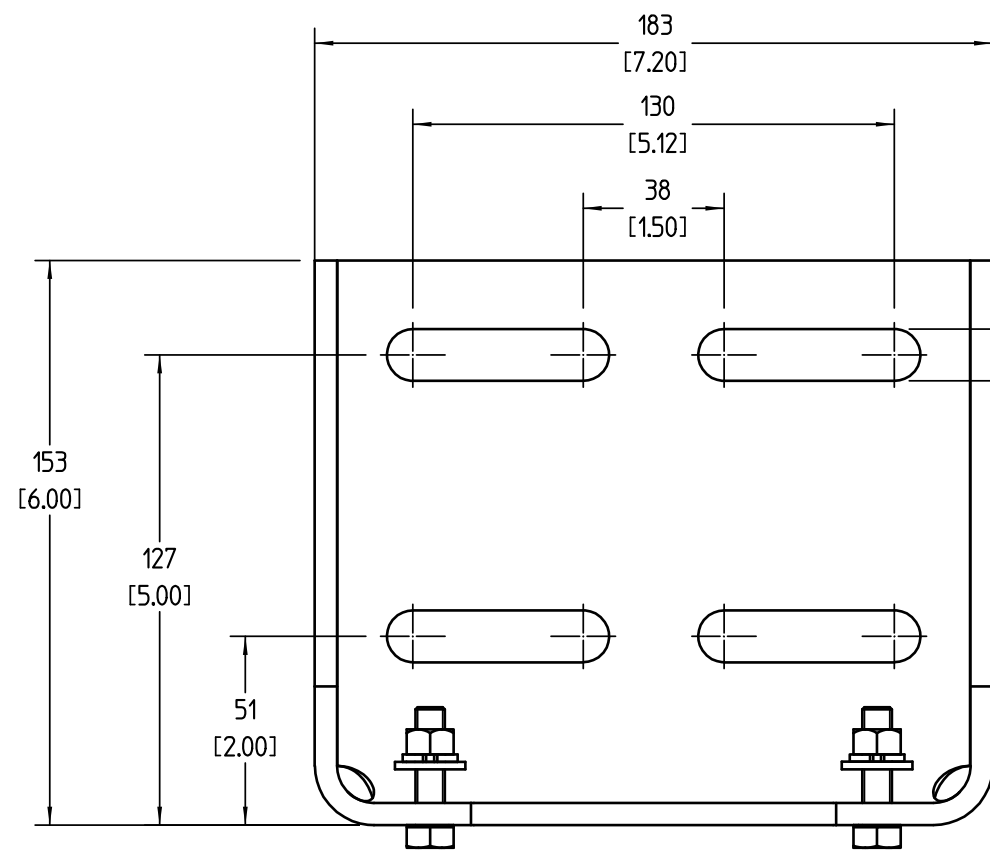
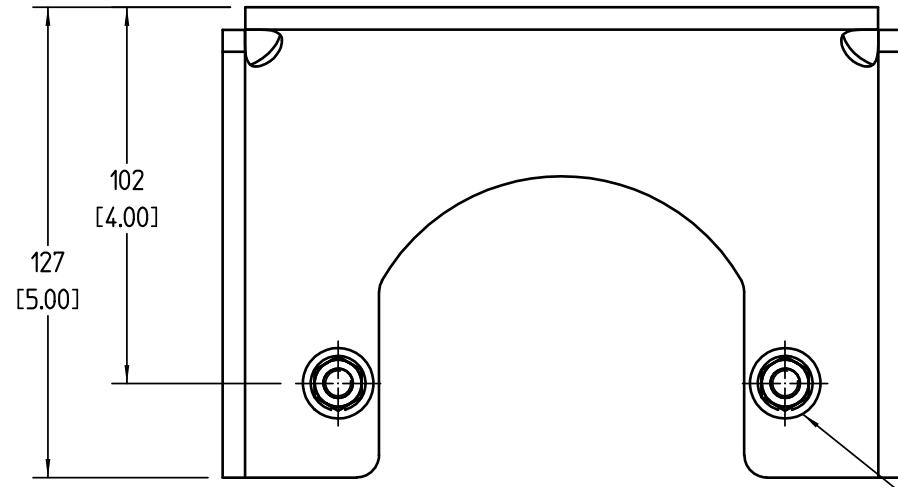


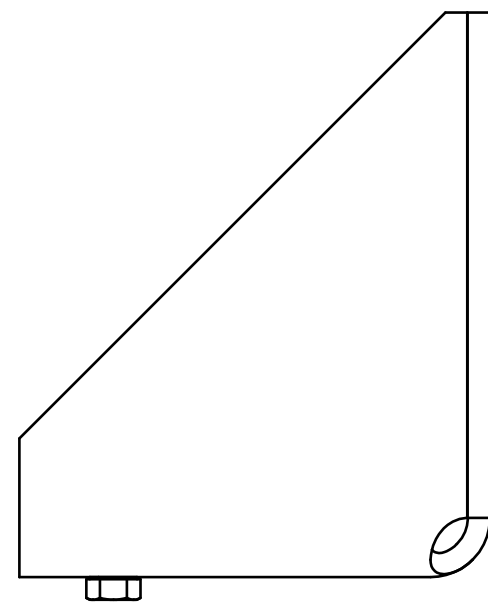
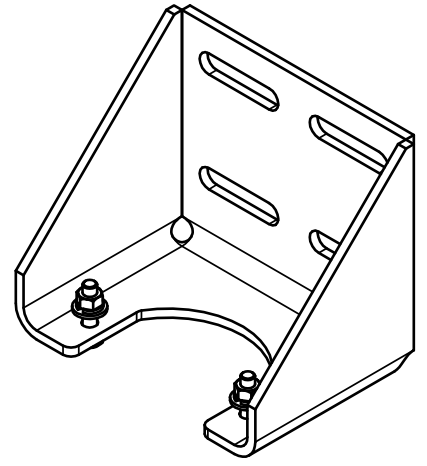
THIS DOCUMENT INCLUDES INFORMATION WHICH IS PROPRIETARY TO VEGA AMERICAS INC. NEITHER THIS DOCUMENT NOR THE INFORMATION DISCLOSED HEREIN SHALL BE USED OR DISCLOSED TO OTHERS FOR MANUFACTURING OR ANY OTHER PURPOSE EXCEPT AS SPECIFICALLY AUTHORIZED IN WRITING BY VEGA AMERICAS INC. THIS DOES NOT APPLY TO INFORMATION FURNISHED BY VENDORS OR OTHERS OUTSIDE VEGA AMERICAS INC.

Diese Zeichnung bleibt Eigentum der Firma VEGA Americas Inc. Sie darf ohne unsere Genehmigung weder kopiert, noch 3. Personen oder Konkurrenzfirmen mitgeteilt werden. (§ 2 Abs.1 Ziff.7 UrHG vom 09.09.1965)



5/16" OR M8
HARDWARE SUPPLIED

4X 14
[.55]



NOTES:
1. EXPOSED MATERIAL IS 316 STAINLESS STEEL.
2. APPROXIMATE WEIGHT OF BRACKET IS 2.8 kg [6.2 lb].

Passmaß/tol.dimens.	Abmaß/allowance	Änderung / revision				Änd. Nr. / ECR no.	Datum / Date	gezeichnet / freigegeben drawn / checked
		06	UPDATED NOTE 2			32427	06.09.2019	schmidts shreveb
		05	UPDATED NOTE 2			31318	25.03.2019	conleym shreveb
			ADDED NOTES 1 & 2					
			ADDED NOTES 1 & 2					
		04	UPDATED BRACKET TO WIDER SLOTS			28257	24.01.2018	schmidts shreveb
			UPDATED BRACKET TO WIDER SLOTS					
		03	UPDATED VAR.FAM			25603	13.02.2017	grieshopc bruckere
			UPDATED VAR.FAM					
	Freimaßtoleranz general tolerance	gezeichnet drawn	Datum/Date 21.01.2013	Name/Name shreveb	Benennung PTB3 VERTICAL MOUNTING BRACKET	Description PTB3 VERTICAL MOUNTING BRACKET		
		freigegeben checked	01.02.2013	shreveb				
Werkstoff / Material	Maßstab Scale	Originalformat size of origin	VEGA		Art.Nr. / Art.No.	MB5670		Änd.-Zust. / Rev.
	B	B	VEGA Americas Inc. 4241 Allendorf Drive Cincinnati, Ohio 45209 USA		Zchngs.-Nr. / Drawing No.	MB5670		06
	Blatt / Sheet	von of			Var.Fam.:PTB3.CXXX	Var.Fam.2:BRACKET-PTB3 VERTMNT		
	1	1			Teil ähnl. / sim. part	Ersatz f./replacement f.		
					Arb.Anw. / work.instr.			

DIMENSIONS/BEMASSUNGEN: mm [INCHES]