

# SHLM BX and CX

## Multi Point Insertion Source Holders



### Application Area

The SHLM BX and CX sourceholders are designed for radiation-based measurement of applications including density, interface, and continuous and point level. The most common industries for the SHLM BX and CX include:

- Chemical
- Petrochemical
- Offshore
- Refining

### Advantages

Recognizable benefits include:

- Rugged construction for harsh environments
- Standard ANSI flange for easy drywell mounting
- Convenient lifting lugs facilitate installation

### Function

The SHLM BX and CX source holders are used for critically high pressure applications when the vessel walls are too thick for other sources. The SHLM BX and CX source holders use a stainless steel rod or cable actuator to place a source inside the vessel by way of a dry well.

### Technical Data

#### Maximum Cs-137

##### Activity

- SHLM BX 1 & CX 1 3.7 GBq (100 mCi) for 50 uSv@305 mm (5mR/hr@12")
- SHLM BX 2 & CX 2 37 GBq (1000 mCi) for 50 uSv@305 mm (5mR/hr@12")
- SHLM BX 3 & CX 3 185 GBq (5000 mCi) for 50 uSv@305mm (5mR/hr@12")

#### Maximum C0-60 Activity

- SHLM BX 1 & CX 1 185 MBq (5 mCi) for 50 uSv@305mm (5mR/hr@12")
- SHLM BX 2 & CX 2 555 MBq (15 mCi) for 50 uSv@305mm (5mR/hr@12")
- SHLM BX 3 & CX 3 2.2 GBq (60 mCi) for 50 uSv@305mm (5mR/hr@12")

#### Fire Resistance

+538 °C (+1000 °F) for 5 minutes

#### Temperature

-40 ... +60 °C (-40 ... +140 °F)

#### Weight

Consult Factory

### Materials

The shielding material is lead. The cable/rod is stainless steel.

### Housing Versions

The housing is available in carbon steel with polyester powder coating. Stainless steel housings are also available.

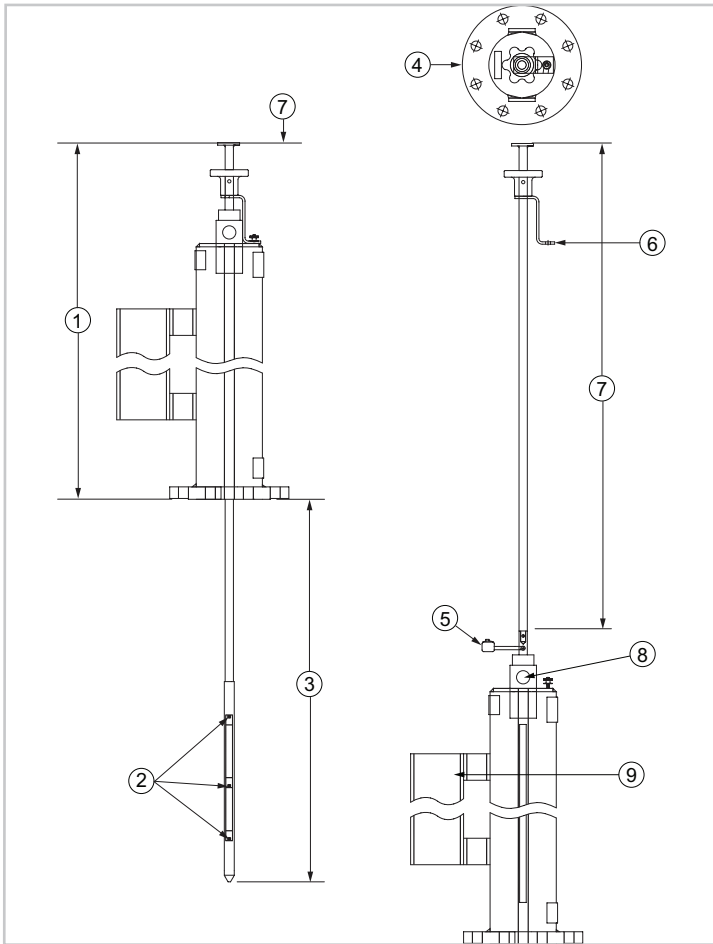
### Approvals

The source holders are regulated by the U.S. Nuclear Regulatory Commission (NRC). Compliance certificates are issued by the State of Ohio under an agreement with the NRC.

### Operation

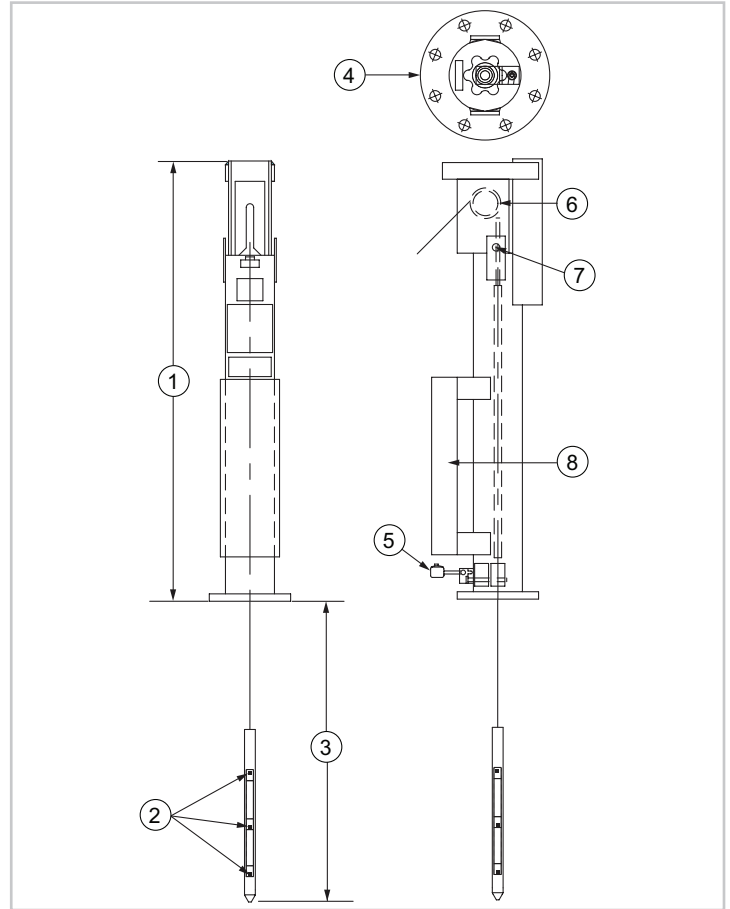
Licensed technicians must complete the insertion of the source rod or cable for the source holders. Before inserting the rod or cable, the technician must remove the locking mechanism and upon completing the insertion, the technician must secure the rod or cable in the open position with the provided screw.

## Dimensions



### SHLM B Multi

- 1a Overall Length SHLM BX 1 - 298 mm (11 3/4")
- 1b Overall Length SHLM BX 2 - 330 mm (13")
- 1c Overall Length SHLM BX 3 - 381 mm (15")
- 2 SourceCapsule
- 3a SHLM BX 1 - Insertion Length (Source Placement is 86 mm (3 3/8") less)
- 3b SHLM BX 2 - Insertion Length (Source Placement is 102 mm (4") less)
- 3c SHLM BX 3 - Insertion Length (Source Placement is 127 mm (5") less)
- 4a SHLM BX 1 - 4" ANSI 150# Flange
- 4b SHLM BX 2 - 6" ANSI 150# Flange
- 4c SHLM BX 3 - 8" ANSI 150# Flange
- 5 Locking Mechanism
- 6 Handle
- 7 Travel - Allow Insertion Length + 300 mm (12") Clearance
- 8 Lifting Eye



### SHLM C Multi

- 1a Overall Length SHLM CX 1 - 484 mm (19 1/16")
- 1b Overall Length SHLM CX 2 - 514 mm (20 1/4")
- 1c Overall Length SHLM CX 3 - 584 mm (23")
- 2 Source Capsule
- 3a SHLM CX 1 - Insertion Length (Source Placement is 86 mm (3 3/8") less)
- 3b SHLM CX 2 - Insertion Length (Source Placement is 102 mm (4") less)
- 3c SHLM CX 3 - Insertion Length (Source Placement is 127 mm (5") less)
- 4a SHLM CX 1 - 4" ANSI 150# Flange
- 4b SHLM CX 2 - 6" ANSI 150# Flange
- 4c SHLM CX 3 - 8" ANSI 150# Flange
- 5 Locking Mechanism
- 6 Pulley
- 7 Lifting Eye

## Information

You can find additional information about VEGA product offerings from our home page, [www.vega.com](http://www.vega.com). Brochures, operating instructions, quick reference guides, specification sheets, and drawings are also available from the Downloads section of our homepage.

## Device Selection

The Downloads section of our home page, [www.vega.com](http://www.vega.com) provides application data sheets so you can select the measuring principle or product for your particular application.

## Contact

Please call 1-513-272-0131, Monday through Friday, 8:00 A.M.-5:00 P.M., EST (Eastern Standard Time) if you have any questions. For emergencies after hours, call the number above and follow the voice mail instructions.

*All information is subject to change without notice.*