

# SHLM CP

## Multi Point Insertion Source Holder



### Application Area

The SHLM CP source holder is designed for radiation-based measurement of applications including density, interface, and continuous and point level. The most common industries for the SHLM CP include:

- Chemical
- Petrochemical
- Offshore
- Refining

### Advantages

Recognizable benefits include:

- Rugged construction for harsh environments
- Standard ANSI flange for easy drywell mounting
- Convenient lifting lugs facilitate installation

### Function

The SHLM CP source holder is used for critically high pressure applications when the vessel walls are too thick for other sources. The SHLM CP source holder uses a stainless steel rod or cable actuator to place a source inside the vessel by way of a dry well.

### Technical Data

<b>Maximum Cs-137 Activity</b>	37 GBq (1000 mCi) for 50 uSv@305 mm (5mR/hr@12")
<b>Maximum C0-60 Activity</b>	1.85 GBq (5 mCi) for 50 uSv@305mm (5mR/hr@12")
<b>Fire Resistance</b>	+538 °C (+1000 °F) for 5 minutes
<b>Temperature</b>	-40 ... +60 °C (-40 ... +140 °F)
<b>Weight</b>	Consult Factory

### Materials

The shielding material is lead. The cable/rod is stainless steel.

### Housing Versions

The housing is available in stainless steel or carbon steel with polyester powder coating.

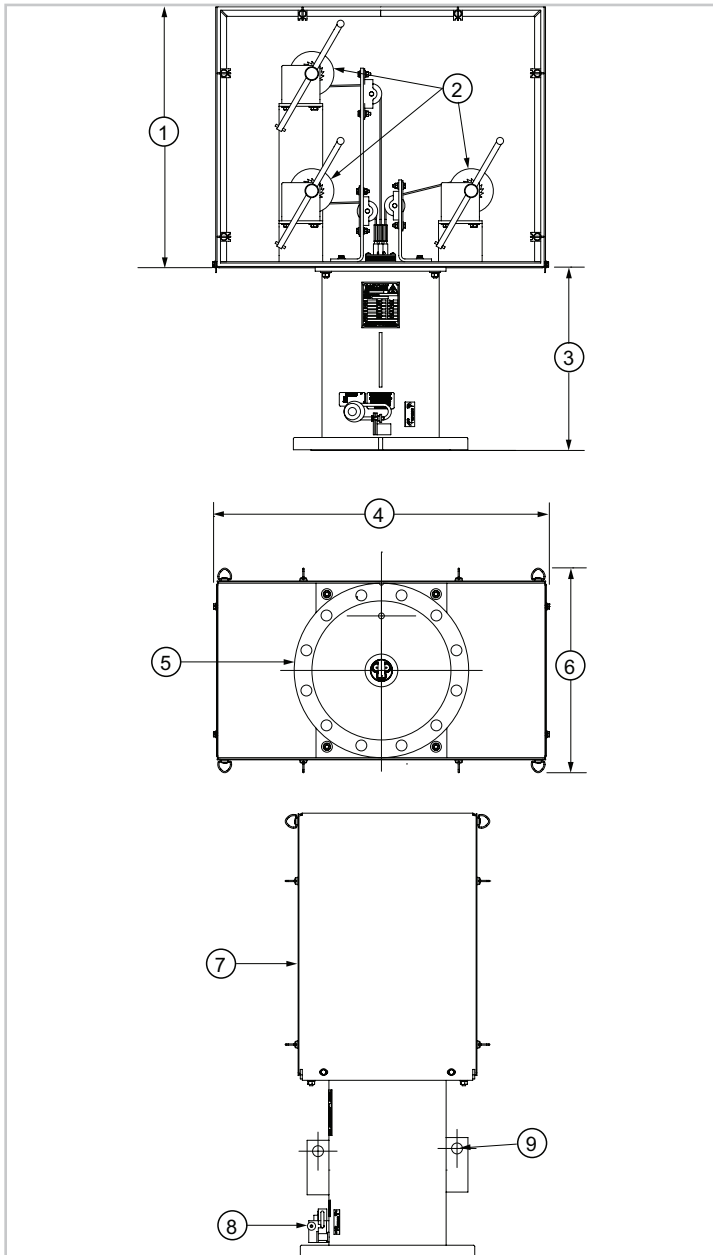
### Approvals

The source holders are regulated by the U.S. Nuclear Regulatory Commission (NRC). Compliance certificates are issued by the State of Ohio under an agreement with the NRC.

### Operation

Licensed technicians must complete the insertion of the source rod or cable for the source holders. Before inserting the rod or cable, the technician must remove the locking mechanism and upon completing the insertion, the technician must secure the rod or cable in the open position with the provided screw.

## Dimensions



SHLM CP

- 1 Cabinet Height - 864 mm (34")
- 2 Winches
- 3 Shielding Length - Depends on Active Length and Shielding (Consult Factory)
- 4 Cabinet Width - 782 mm (30 13/16")
- 5 10" ANSI 150# Flange
- 6 Cabinet Depth - 610 mm (24")
- 7 Front Door
- 8 Locking Mechanism
- 9 Lifting Eye

## Information

You can find additional information about VEGA product offerings from our home page, [www.vega.com](http://www.vega.com). Brochures, operating instructions, quick reference guides, specification sheets, and drawings are also available from the Downloads section of our homepage.

## Device Selection

The Downloads section of our home page, [www.vega.com](http://www.vega.com) provides application data sheets so you can select the measuring principle or product for your particular application.

## Contact

Please call 1-513-272-0131, Monday through Friday, 8:00 A.M.-5:00 P.M., EST (Eastern Standard Time) if you have any questions. For emergencies after hours, call the number above and follow the voice mail instructions.

*All information is subject to change without notice.*