

Supplementary instructions

Bluetooth USB adapter

Connection of PC/Notebook to VEGA devices with Bluetooth interface



Document ID: 52454



VEGA

Contents

1 For your safety	3
1.1 Appropriate use.....	3
1.2 General safety instructions	3
2 Product description	4
2.1 Configuration.....	4
2.2 Principle of operation.....	4
3 Setup	6
3.1 Preparations.....	6
3.2 Connecting	6
4 Supplement	7
4.1 Technical data	7
4.2 Dimensions	7



Safety instructions for Ex areas

Please note the Ex-specific safety information for installation and operation in Ex areas. These safety instructions are part of the operating instructions manual and come with the Ex-approved instruments.

Editing status: 2018-12-12

1 For your safety

1.1 Appropriate use

The Bluetooth-USB-Adapter is an accessory part for connection of a PC/Notebook via Bluetooth with a VEGA device with integrated Bluetooth.

1.2 General safety instructions

The safety information in the operating instructions manual of the respective sensor must be noted.

2 Product description

2.1 Configuration

Scope of delivery

The scope of delivery encompasses:

- Bluetooth-USB-Adapter
- DVD mit DTM Collection
- Documentation
 - This supplementary instructions manual

Version

The Bluetooth-USB-Adapter consists of the housing with a USB plug. An integrated blue LED signals the operating status.

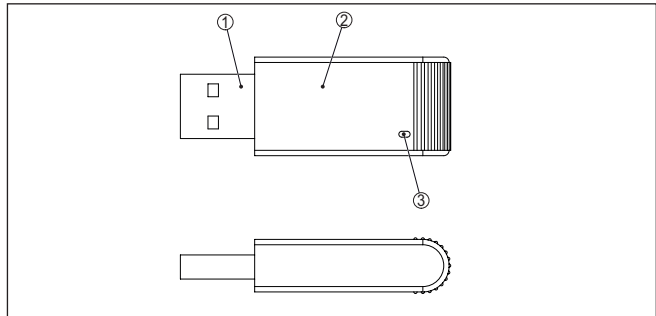


Fig. 1: Configuration Bluetooth-USB-Adapter

- 1 USB plug
- 2 Housing
- 3 LED

2.2 Principle of operation

Function

The Bluetooth-USB-Adapter enables the wireless connection of a PC/ Notebook to a VEGA device with integrated Bluetooth:

- Display and adjustment module PLICSCOM
- VEGAPULS WL S 61
- VEGAPULS WL 61
- PLISCMOBILE 81

Wireless connection via Bluetooth Smart.

The adjustment of the device is carried out by means of the adjustment software PACTware.

System requirements:

- PACTware with current DTM Collection
- Operating system Windows
- USB 2.0 interface



Note:

The wireless connection from the PC/Notebook via Bluetooth to the VEGA device is only possible via the Bluetooth-USB-Adapter supplied by VEGA.

Other standard Bluetooth USB adapters are not suitable.

Operating status

The integrated blue LED signals the operating status:

- LED on: Voltage supply via USB port available
- LED flashes twice briefly: Initializing carried out
- LED lights approx. every 10 s briefly: ready for operation
- LED flashes in short intervals: Bluetooth communication active

3 Setup

3.1 Preparations

Please proceed in this sequence:

- Install PACTware and DTM Collection 03/2016 or higher
- Insert Bluetooth-USB-Adapter in free USB interface
- Start PACTware

In DTM Collection as of 03/2016, a Windows driver and a DTM for Bluetooth-USB-Adapter are included. The adapter is recognized by the driver and automatically initialized.

3.2 Connecting ...

Start the VEGA project assistant. Select "*Bluetooth*" and "*Instrument search*". Sensors with Bluetooth PLICSCOM modules in the environment are searched for and displayed.

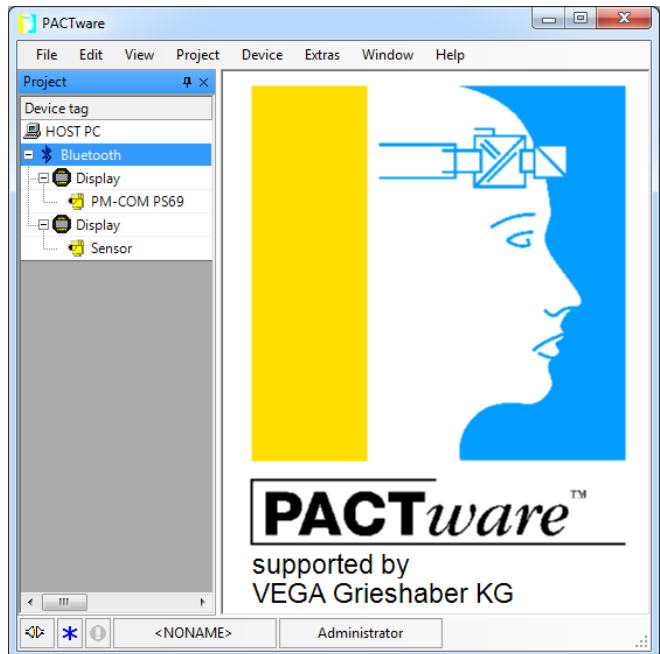


Fig. 2: Example of a PACTware screen with two found PLICSCOM modules

An active connection of Bluetooth-USB-Adapter is only possible with one sensor.

The respective procedure is described in the operating instructions manual "*Display and adjustment module PLICSCOM*".

4 Supplement

4.1 Technical data

Materials

Housing	Plastic
---------	---------

Ambient conditions

Storage and transport temperature	-40 ... +85°C (-40 ... +185°F)
Ambient temperature	-40 ... +85°C (-40 ... +185°F)

Display element

LED blue	Operating status
----------	------------------

Voltage supply

Operating voltage via USB connection	5 V DC ± 10 %
--------------------------------------	---------------

Bluetooth function

Standard	Bluetooth Smart
Participants max.	1
Effective range	25 m (82.02 ft)

4.2 Dimensions

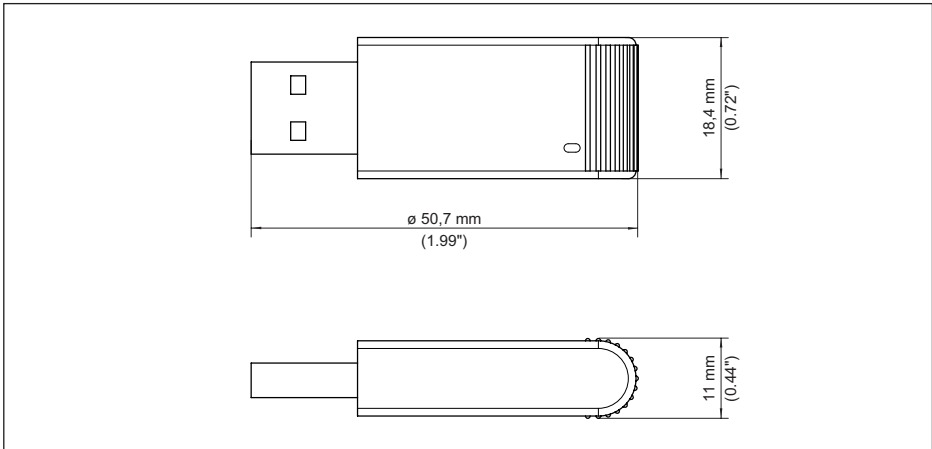


Fig. 3: Dimensions Bluetooth-USB-Adapter

Printing date:

VEGA

All statements concerning scope of delivery, application, practical use and operating conditions of the sensors and processing systems correspond to the information available at the time of printing.

Subject to change without prior notice

© VEGA Grieshaber KG, Schiltach/Germany 2018



52454-EN-181214

VEGA Grieshaber KG
Am Hohenstein 113
77761 Schiltach
Germany

Phone +49 7836 50-0
Fax +49 7836 50-201
E-mail: info.de@vega.com
www.vega.com