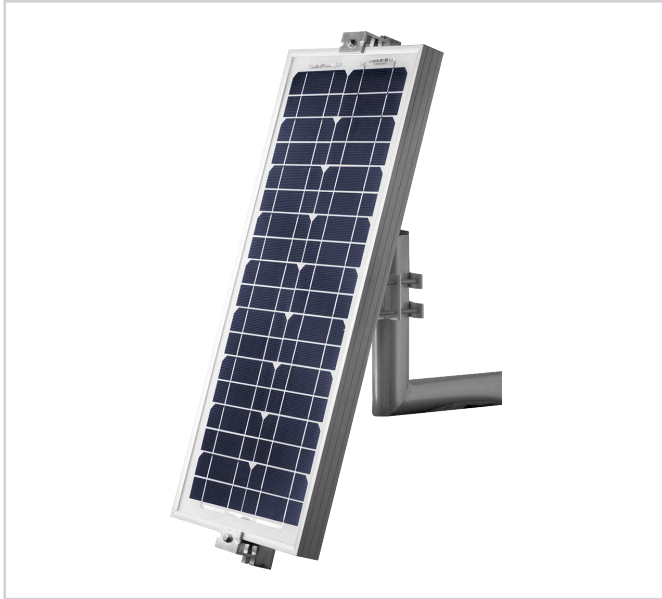


PLICSMOBILE S81

Solar module for the accumulator unit PLICSMOBILE B81



Technical data

Solar module	
- Power	20 W
- Max. open circuit voltage	22 V DC
- Voltage with maximum output	17.82 V DC
- Current with maximum output	1.14 A
- Max. shortcircuit current	1.27 A
- Dimensions	662 x 299 x 35 mm (26.1 x 11.8 x 1.3 in)
- Weight	2.7 kg (6 lbs)
Protection rating	IP 65

Approvals

You can find detailed information on the existing approvals with the appropriate product on our homepage.

Application area

External solar module for charging the external accumulator unit PLICSMOBILE B81 for autarkic measurements.

Your benefit

- Economical solution for autarkic operation of PLICSMOBILE through automatic charging of the accumulator unit
- Simple mounting by using standard solar modules incl. mast mounting accessory

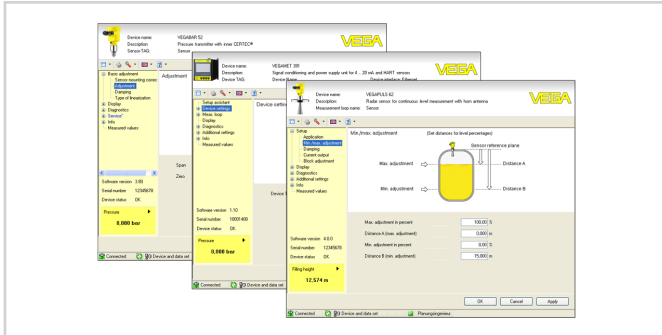
Function

The PLICSMOBILE S81 charges the accumulators of PLICSMOBILE B81.

With the attached mast holder, the solar panel can be directly in an optimum way to the position of the sun.

Adjustment

There are not adjustment possibilities on PLICSMOBILE S81. The adjustment of PLICSMOBILE T81 is carried out via a PC with PACTware and the corresponding DTM or via smartphone/tablet with the VEGA Tools app. The connection is made via the Bluetooth interface integrated in PLICSMOBILE T81.



Information

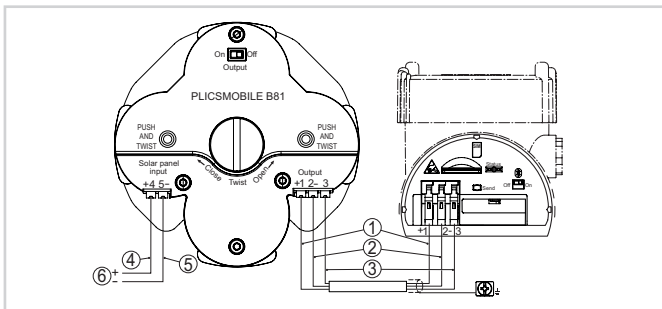
You can find further information on the VEGA product line on our homepage.

In the download section on our homepage you'll find free operating instructions, product information, brochures, approval documents, instrument drawings and much, much more.

Contact

You can find your personal contact person at VEGA on our homepage www.vega.com and "Contact".

Electrical connection

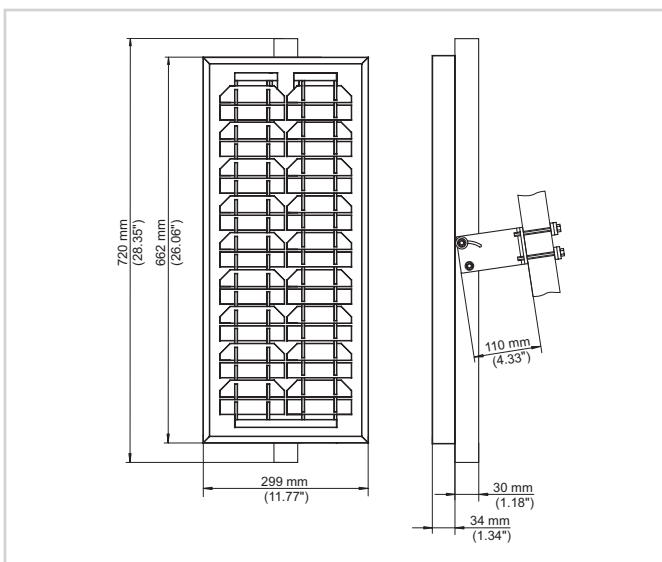


Connection of the battery and the solar panel

- 1 *Brown cable (+) for sensor power supply*
- 2 *Blue cable (-) for sensor power supply*
- 3 *White cable for communication PLICSMOBILE T81 - B81*
- 4 *Brown cable (+) for accumulator charging via solar panel*
- 5 *Blue cable (-) for accumulator charging via solar panel*
- 6 *Power supply from the solar panel*

You can find details on electrical connection in the instrument operating instructions on our homepage at www.vega.com/downloads.

Dimensions



Dimensions PLICSMOBILE S81