

## VEGAPULS 64

4 ... 20 mA/HART and power pack

Radar sensor for continuous level measurement of liquids



### Application area

VEGAPULS 64 is a radar sensor for continuous level measurement of liquids.

The small process fittings offer particular advantages in small tanks or tight mounting spaces. The very good signal focusing ensures the use in vessels with many installations such as stirrers and heating spirals.

### Your benefit

- Maintenance-free operation thanks to non-contact measuring principle
- High plant availability, because wear and maintenance free
- Exact measuring results independent of process conditions

### Function

The sensor emits a continuous radar signal through the antenna. The emitted signal is reflected by the medium and received as an echo by the antenna.

The frequency difference between the emitted and received signal is proportional to the distance and depends on the filling height. The determined filling height is converted into a respective output signal and outputted as measured value.

### Technical data

Measuring range up to	30 m (98.43 ft)
Deviation	≤ 1 mm
Process fitting	Thread from G $\frac{3}{4}$ , $\frac{3}{4}$ NPT, flanges from DN 50, 2", mounting strap, adapter flanges from DN 100, 4"
Process pressure	-1 ... 25 bar (-100 ... 2500 kPa/-14.5 ... 362.6 psig)
Process temperature	-196 ... +200 °C (-321 ... +392 °F)
Ambient, storage and transport temperature	-40 ... +80 °C (-40 ... +176 °F)
Accumulator voltage	14.8 V DC
Life time with sensor permanently on and full accumulator	>60 h

### Materials

The wetted parts of the instrument are made of 316L, PP, PTFE or PEEK. The process seal is made of FKM, FFKM, EPDM or PTFE.

You will find a complete overview of the available materials and seals in the "Configurator" at [www.vega.com](http://www.vega.com) and "VEGA Tools".

### Housing versions

The housings are available as single chamber or double chamber version in plastic, stainless steel or aluminium.

They are available with protection ratings up to IP 68 (1 bar).

### Electronics versions

The instrument is available with electronics 4 ... 20 mA/HART as well as HART and power pack.

### Approvals

Approvals are planned for the instrument for use in hazardous areas as well as in the ship and food processing industry.

You can find detailed information of the approvals for all instruments at [www.vega.com/downloads](http://www.vega.com/downloads) and "Approvals".

### Adjustment

#### Adjustment on the measurement loop

The adjustment of the instrument is carried out via the optional display and adjustment module PLICSCOM or via a PC with the adjustment software PACTware and corresponding DTM.

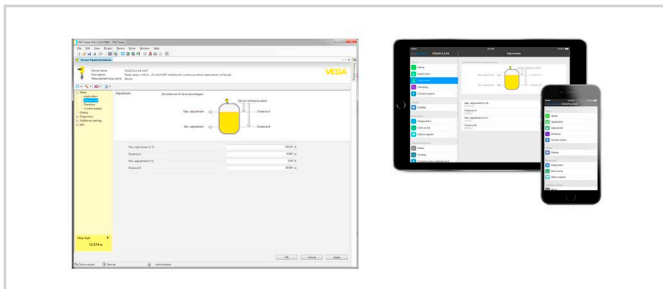
#### Wireless adjustment via Bluetooth

The Bluetooth version of display and adjustment module enables a wireless connection to standard adjustment units. This can be smartphones/tablets with iOS or Android operating system or PCs with PACTware and Bluetooth USB adapter.



Wireless connection to standard operating devices

Adjustment is hence carried out via a free-of-charge app from the Apple App Store or the Google Play Store or the adjustment software PACTware and respective DTM.

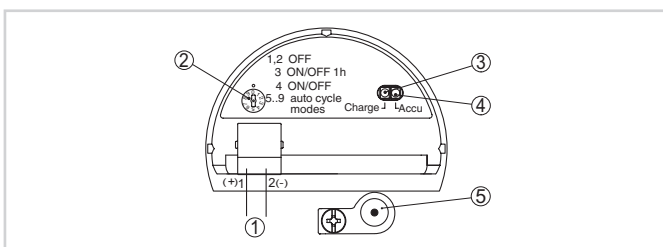


Adjustment via PACTware or app

#### Adjustment via remote systems

Further adjustment options are possible via a HART Communicator as well as manufacturer-specific programs such as AMS™ or PDM.

### Voltage supply

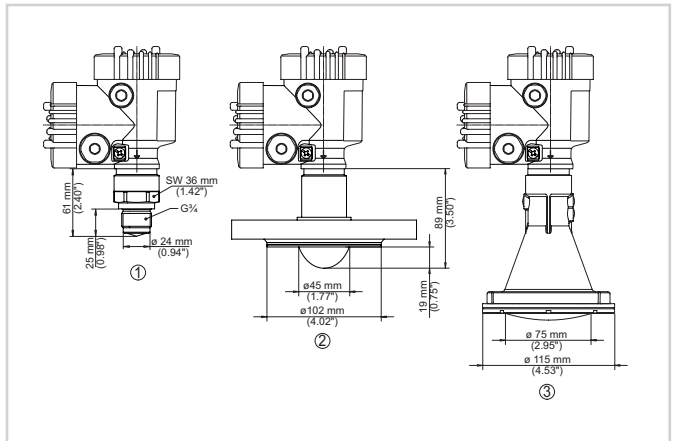


Supply room

- 1 Internal connection of the socket for the battery charger
- 2 Mode switch
- 3 LED green, charging process
- 4 LED yellow, charging status
- 5 Socket for the battery charger

You can find details on electrical connection in the instrument operating instructions at [www.vega.com/downloads](http://www.vega.com/downloads).

### Dimensions



Dimensions VEGAPULS 64

- 1 Version thread with integrated horn antenna G $\frac{3}{4}$
- 2 Version flange with encapsulated antenna system DN 80
- 3 Version with plastic horn antenna DN 80

### Information

You can find further information about the VEGA product line on [www.vega.com](http://www.vega.com).

In the download section at [www.vega.com/downloads](http://www.vega.com/downloads) you'll find operating instructions, product information, brochures, approval documents, instrument drawings and much, much more.

There, you will also find GSD and EDD files for Profibus PA systems as well as DD and CFF files for Foundation Fieldbus systems.

### Instrument selection

Under "Specify product" on [www.vega.com](http://www.vega.com) and "Products" you can select the suitable measuring principle and instrument for your application.

You can find detailed information on the instrument versions in the "Configurator" at [www.vega.com](http://www.vega.com) and "Products".

### Contact

You can find your personal contact person at VEGA on our homepage [www.vega.com](http://www.vega.com) and "Contact".