

Operating Instructions

Electronics module

PLICSMOBILE 80 series



Document ID: 57392



VEGA

Contents

- 1 About this document 3**
 - 1.1 Function 3
 - 1.2 Target group 3
 - 1.3 Symbols used..... 3
- 2 For your safety 4**
 - 2.1 Authorised personnel 4
 - 2.2 Appropriate use..... 4
 - 2.3 Approvals 4
 - 2.4 Environmental instructions 4
- 3 Product description 5**
 - 3.1 Configuration 5
 - 3.2 Principle of operation..... 5
 - 3.3 Packaging, transport and storage..... 5
- 4 Mounting 7**
 - 4.1 General instructions 7
 - 4.2 Mounting preparations 7
 - 4.3 Installation procedure 7
- 5 Setup 9**
 - 5.1 Setup preparations 9
 - 5.2 Setup steps 9
- 6 Dismount..... 10**
 - 6.1 Dismounting steps..... 10
 - 6.2 Disposal 10

Safety instructions for Ex areas



Take note of the Ex specific safety instructions for Ex applications. These instructions are attached as documents to each instrument with Ex approval and are part of the operating instructions manual.

Editing status: 2018-03-15

1 About this document

1.1 Function

This operating instructions manual provides all the information you need for mounting, connection and setup as well as important instructions for maintenance, fault rectification, the exchange of parts and the safety of the user. Please read this information before putting the instrument into operation and keep this manual accessible in the immediate vicinity of the device.

1.2 Target group

This operating instructions manual is directed to trained personnel. The contents of this manual must be made available to the qualified personnel and implemented.

1.3 Symbols used



Document ID

This symbol on the front page of this instruction refers to the Document ID. By entering the Document ID on www.vega.com you will reach the document download.



Information, tip, note

This symbol indicates helpful additional information.



Caution: If this warning is ignored, faults or malfunctions can result.
Warning: If this warning is ignored, injury to persons and/or serious damage to the instrument can result.



Danger: If this warning is ignored, serious injury to persons and/or destruction of the instrument can result.



Ex applications

This symbol indicates special instructions for Ex applications.



List

The dot set in front indicates a list with no implied sequence.



Action

This arrow indicates a single action.



Sequence of actions

Numbers set in front indicate successive steps in a procedure.



Battery disposal

This symbol indicates special information about the disposal of batteries and accumulators.

2 For your safety

2.1 Authorised personnel

All operations described in this documentation must be carried out only by trained specialist personnel authorised by the plant operator. During work on and with the device the required personal protective equipment must always be worn.

2.2 Appropriate use

The components described in this manual are replacement components for existing sensors.

2.3 Approvals

If the instrument comes with approvals, the associated approval documents of the sensor must always be noted. They are included with the delivery but can also be downloaded under "www.vega.com", "*Instrument search*" as well as via "*Downloads*" and "*Approvals*".

2.4 Environmental instructions

Protection of the environment is one of our most important duties. That is why we have introduced an environment management system with the goal of continuously improving company environmental protection. The environment management system is certified according to DIN EN ISO 14001.

Please help us fulfil this obligation by observing the environmental instructions in this manual:

- Chapter "*Packaging, transport and storage*"
- Chapter "*Disposal*"

3 Product description

3.1 Configuration

Scope of this operating instructions manual

This operating instructions manual applies to electronics modules in instruments with the following hardware and software versions:

- PLICSMOBILE 80 series (hardware ≥ 1.0.0, software ≥ 1.1.0)

Scope of delivery

The scope of delivery encompasses:

- Electronics module
- Documentation
 - This operating instructions manual
 - Ex-specific "*Safety instructions*" (with Ex versions)
 - If necessary, further certificates

3.2 Principle of operation

Application area

The electronics module is suitable for exchange in instruments of the PLICSMOBILE 80 series. You can find information of the available versions in chapter "*Mounting preparations*".

3.3 Packaging, transport and storage

Packaging

Your instrument was protected by packaging during transport. Its capacity to handle normal loads during transport is assured by a test based on ISO 4180.

The packaging of standard instruments consists of environment-friendly, recyclable cardboard. For special versions, PE foam or PE foil is also used. Dispose of the packaging material via specialised recycling companies.

Transport

Transport must be carried out in due consideration of the notes on the transport packaging. Nonobservance of these instructions can cause damage to the device.

Transport inspection

The delivery must be checked for completeness and possible transit damage immediately at receipt. Ascertained transit damage or concealed defects must be appropriately dealt with.

Storage

Up to the time of installation, the packages must be left closed and stored according to the orientation and storage markings on the outside.

Unless otherwise indicated, the packages must be stored only under the following conditions:

- Not in the open
- Dry and dust free
- Not exposed to corrosive media
- Protected against solar radiation
- Avoiding mechanical shock and vibration
- Storage and transport temperature see chapter "*Supplement - Technical data - Ambient conditions*"

Storage and transport temperature

- Relative humidity 20 ... 85 %

4 Mounting

4.1 General instructions

Safety during mounting

We recommended installing the replacement electronics with the instrument dismantled and brought to a suitable place, e.g. a workshop. If it is not possible to dismantle the instrument, the electronics module can also be installed on site at the measuring point.



Warning:

Switch off voltage supply before starting the installation procedure. The replacement electronics may only be installed when the sensor is in a **de-energised state**. Non-observance will damage the electronics!

Ex approval

It is absolutely necessary that the following points are observed with instruments with Ex approval:



For instruments with Ex approval, make sure that the replacement electronics module has the same designation as the exchanged electronics module.

Assignment

4.2 Mounting preparations

The electronics modules are mounted into the electronics compartment and are adapted to the respective instrument. Make sure that you are using a replacement electronics suitable for the instrument.

The electronics modules differ:

- Ex and non-Ex

4.3 Installation procedure

Proceed as follows:

1. Switch off power supply
2. Unscrew the lid of the electronics compartment

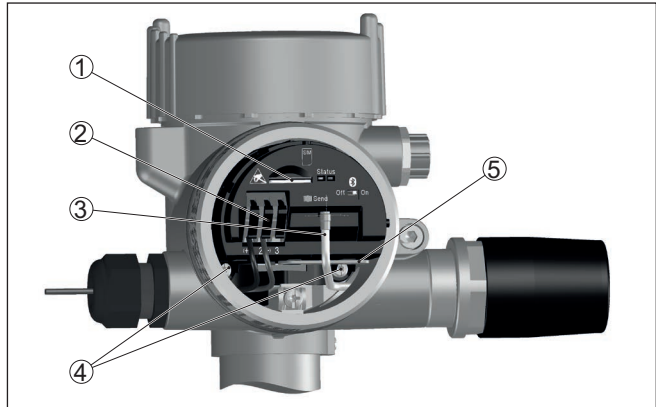


Fig. 1: Remove connection cables and loosen the holding screws

- 1 SIM card
- 2 Connection terminals
- 3 Antenna cable
- 4 Screws (2 pcs.)
- 5 Dismounting tool

3. Remove the SIM card applying slight pressure to the card slot
 4. Lift the opening levers of the connection terminals with a screwdriver
 5. Pull the wire ends of the connection cable out of the cables
 6. Loosen the two holding screws with a screwdriver (Torx size T 10 or slotted screwdriver size 4)
 7. **Note:** Detach antenna cable **carefully** in the direction of the screw base
 8. Pull the previous electronics out with the dismounting tool.
 9. Insert the new electronics module carefully.
 10. Screw in the two holding screws and tighten them
 11. Connect the wire ends of the connection cable according to the operating instructions manual of the respective instrument
 12. Insert the antenna cable again
 13. Insert the SIM card according to the operating instructions manual of the respective instrument
 14. Screw the housing lid back on
- The electronics exchange is now finished.



As a rule, an exchange of electronics must be documented internally if Ex applications are involved.

5 Setup

5.1 Setup preparations

With instrument serial number

If you ordered the electronics module **by stating the instrument serial number**, it is ready for the setup procedure immediately after installation and connection to power supply.

Without instrument serial number

If you ordered the electronics module **without stating the instrument serial number** or you are using a suitable electronics module from stock, you first have to load the instrument data after the installation.

The instrument data contain the serial number and the instrument version.

At www.vega.com go to "*Instrument search (serial number)*". The order data of the instrument are displayed after entering the serial number.

Below the order data you will find "*Sensor data for Service DTM*" as an XML file. Save this file with "*Save as*" on your PC and transfer it via PACTware and the Service DTM to the instrument.



Note:

Each electronics module is supplied with new access codes (Bluetooth/network/emergency access code). The previous access codes cannot be taken over/further used after an electronics exchange.

While accessing via DTM, the access codes must be thus entered once new. With a VEGA Inventory System connection also the network access code must be updated in the VEGA Inventory System. For this, you have to contact your responsible contact person.

5.2 Setup steps

Parameter adjustment

If the instrument is used in the same application after the electronics exchange, the previous parameter settings of the instrument must be restored. To do this, you can use the import function of the adjustment software PACTware with the respective device DTM.

6 Dismount

6.1 Dismounting steps

**Warning:**

Before dismounting, be aware of dangerous process conditions such as e.g. pressure in the vessel or pipeline, high temperatures, corrosive or toxic products etc.

Take note of chapters "*Mounting*" and "*Connecting to power supply*" and carry out the listed steps in reverse order.

6.2 Disposal

The instrument consists of materials which can be recycled by specialised recycling companies. We use recyclable materials and have designed the electronics to be easily separable.

Correct disposal avoids negative effects on humans and the environment and ensures recycling of useful raw materials.

Materials: see chapter "*Technical data*"

If you have no way to dispose of the old instrument properly, please contact us concerning return and disposal.

WEEE directive 2012/19/EU

This instrument is not subject to the WEEE directive 2012/19/EU and the respective national laws. Pass the instrument directly on to a specialised recycling company and do not use the municipal collecting points. These may be used only for privately used products according to the WEEE directive.



Printing date:

VEGA

All statements concerning scope of delivery, application, practical use and operating conditions of the sensors and processing systems correspond to the information available at the time of printing.

Subject to change without prior notice

© VEGA Grieshaber KG, Schiltach/Germany 2018



57392-EN-180315

VEGA Grieshaber KG
Am Hohenstein 113
77761 Schiltach
Germany

Phone +49 7836 50-0
Fax +49 7836 50-201
E-mail: info.de@vega.com
www.vega.com