

Mounting instructions

Antenna extension PLICSMOBILE 80 series

Extension cable with magnetic base



Document ID: 57482



VEGA

Contents

1 For your safety	3
1.1 Appropriate use.....	3
1.2 Impermissible use	3
1.3 General safety instructions	3
2 Product description	4
3 Mounting.....	5
3.1 General instructions	5
3.2 Mounting preparations	5
3.3 Installation procedure	5
4 Supplement	7
4.1 Technical data	7
4.2 Dimensions	7

1 For your safety

1.1 Appropriate use

The antenna extension can be used with a PCLICSMOBILE T81. Thus the antenna can be mounted up to 2.9 m away from the instrument.

1.2 Impermissible use

The use of this antenna extension in Ex applications is not permitted.

1.3 General safety instructions

The safety information in the operating instructions manual of the respective sensor must be noted.

2 Product description

Scope of delivery

The scope of delivery encompasses:

- Connection cable with magnetic base
- Cable gland
- Documentation
 - These mounting instructions

Area of application

The antenna extension consists of a completely confectioned coax cable with fix mounted magnetic base.

The antenna extension is used if no mobile communication is possible at the mounting location of PLICSMOBILE, e.g. in a switching cabinet of metal. The antenna on PLICSMOBILE can be mounted with this antenna extension up to 2.9 m away from the instrument.

The antenna extension is suitable for the following instruments with plastic, aluminium or stainless steel housing:

- PLICSMOBILE T81
- PLICSMOBILE 81

3 Mounting

3.1 General instructions

Installation position

Check before mounting if there is sufficient coverage (signal strength) by the chosen mobile phone provider at the planned location. You can find appropriate information in the operating instructions of PLICSMOBILE.



Note:

During operation, a distance of at least 20 cm should be kept between the antenna and persons working nearby. Operation of the instrument with smaller distances is not recommended.

Safety during mounting



Warning:

Switch off voltage supply before starting the installation procedure. The antenna extension may only be installed when the sensor is in a **de-energised state**. Non-observance will damage the electronics!

Ex approval



For instruments with Ex approval, the antenna extension must not be used.

Tools

3.2 Mounting preparations

The following tools are required for mounting:

- Screwdriver with SW 33 for unscrewing the antenna socket

3.3 Installation procedure

Proceed as follows:

1. Switch off power supply
2. Unscrew the lid of the electronics compartment

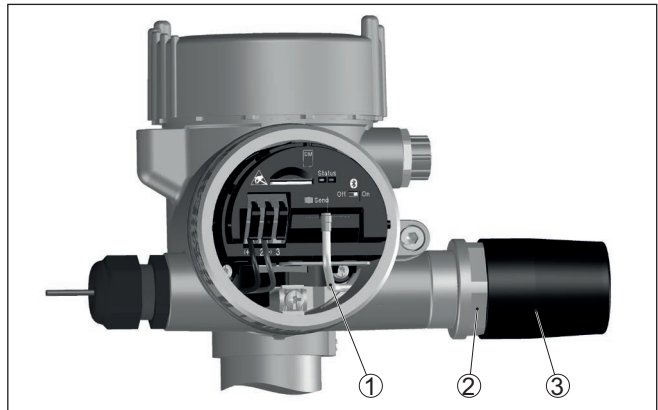


Fig. 1: Mount antenna extension

- 1 Antenna cable
- 2 Antenna socket
- 3 Antenna

3. **Note:** Detach antenna cable ① **carefully** in the direction of the screw base
4. Unscrew antenna ③ manually from the antenna socket
5. Hand-screw the antenna to the magnetic base
6. Unscrew the antenna socket ② with screwdriver SW 33 on the housing
7. Shift the open cable end of the antenna extension through the free housing opening
8. Screw the threaded fitting into the housing and tighten it
9. Insert the antenna plug
10. Screw the housing lid back on

4 Supplement

4.1 Technical data

Mechanical data

Cable type	Pro-Flex™ Plus 195 coaxial
Cable length	2.9 m (114 in)
Material cable cover	PVC
Min. bending radius at 25 °C/77 °F	25 mm (0.985 in)
Diameter approx.	5 mm (0.196 in)
Colour	Black
Cable gland	M20 x 1.5 (plastic)

4.2 Dimensions

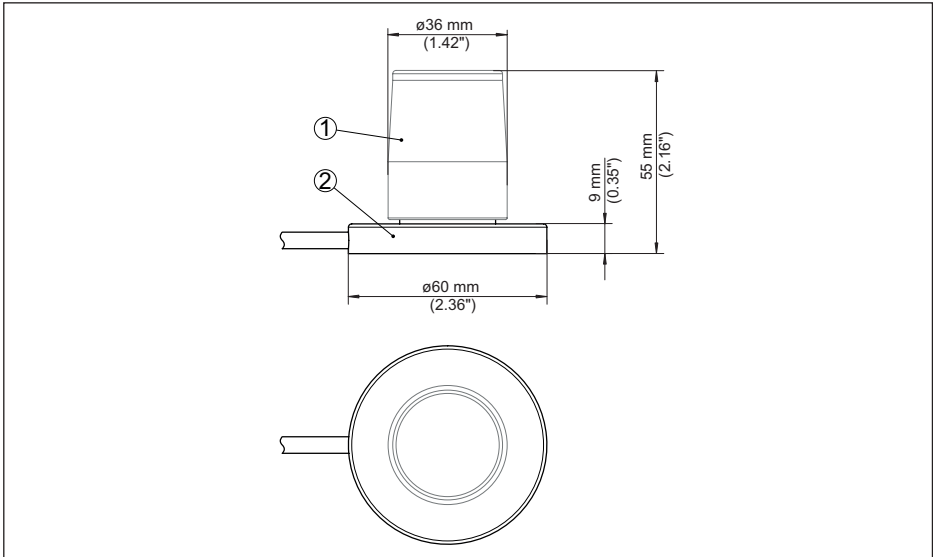


Fig. 2: Dimensions magnetic base with antenna

- 1 Antenna of PLICSMOBILE
- 2 Magnetic base of the antenna extension

Printing date:

VEGA

All statements concerning scope of delivery, application, practical use and operating conditions of the sensors and processing systems correspond to the information available at the time of printing.

Subject to change without prior notice

© VEGA Grieshaber KG, Schiltach/Germany 2018



57482-EN-180315

VEGA Grieshaber KG
Am Hohenstein 113
77761 Schiltach
Germany

Phone +49 7836 50-0
Fax +49 7836 50-201
E-mail: info.de@vega.com
www.vega.com