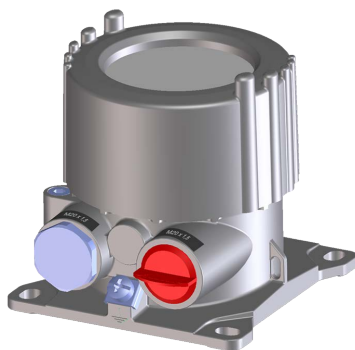


Safety instructions

CCOE approval

VEGADIS 81

Flameproof enclosures



Document ID: 62508



VEGA

Contents

1	Area of applicability	3
2	Important specification in the type code	3
3	General information	4
4	Application area	4
5	Special operating conditions	4
6	Important information for mounting and maintenance	4
7	Safe operating mode	7
8	Potential equalization/Grounding	7
9	Electrostatic charging (ESD)	7
10	Electrical data	8
11	Thermal data	8

Supplementary documentation:

- Operating Instructions VEGADIS 81
- Letter P591238/1, P591245/1, P591246/1 By Government of India (Document ID: 62509)

Editing status: 2024-04-09

1 Area of applicability

These safety instructions apply to the display and adjustment unit VEGADIS 81 of type series:

- VEGADIS DIS81(*).DE*****

with the electronics versions

- I - Digital (I²C communication)

according to Letter P591238/1, P591245/1, P591246/1 By Government of India (certificate number on the type label) and for all instruments with safety instruction 62508.

The classification as well as the respective standards are stated in the Letter By Government of India:

- IEC 60079-0: 2011
- IEC 60079-1: 2014

Type of protection marking:

- Ex db IIC T6 Gb

Devices with type code VEGADIS DIS81(*).DE***** ("D" = scope for India) are identical in construction with IECEx approved devices with type code VEGADIS DIS81(*).IE*****.

This document is necessary to control the type plate in accordance with Indian approval specifications and to control the documents for India.

2 Important specification in the type code

VEGADIS DIS81(*).abcdefghi

Position		Feature	Description
a	Scope	D	India
b	Approval	E	Ex db IIC T6 Gb
c	Electronics	I	Digital (I ² C communication)
d	Housing	A	Aluminium
		H	Special colour, Aluminium
		V	Stainless steel (precision casting)
e	Protection rating	N	IP66/IP68 (0.2 bar); NEMA 6P
f	Cable entry / Connection	1	M20 x 1.5 / without
		D	M20 x 1.5 / Blind plug
		O	M20 x 1.5 / Cable gland brass nickel-plated (ø 6 ... 12 mm), Ex db + Ex ta
		6	M20 x 1.5 / Cable gland brass nickel-plated (ø 9 ... 13 mm), for shielded cable, Ex db + Ex ta
		Q	½ NPT / without
		N	½ NPT / Blind plug
		P	½ NPT / Cable gland brass nickel-plated (ø 6 ... 12 mm), Ex db + Ex ta
		8	½ NPT / Cable gland brass nickel-plated (ø 9 ... 13 mm), for shielded cable, Ex db + Ex ta

Position		Feature	Description
g	Display and adjustment module PLICSCOM	X	without
		A	mounted
		K	mounted; with Bluetooth, magnetic pen operation
		U	mounted; with Bluetooth (US version), battery, magnetic pen operation
h	Mounting type	A	Wall mounting with Aluminium or stainless steel housing
		D	Carrier rail with Aluminium or stainless steel housing
		E	Tube mounting (26 ... 60 mm)
i	Certificates	X	without
		M	with

3 General information

The VEGADIS 81 in ignition protection type "Flameproof enclosure Ex db" is used for spatially separated scaling, parameter adjustment and visualisation of measured values in conjunction with a "Flameproof enclosure Ex db" certified VEGA sensors VEGAPULS, VEGAFLEX, VEGABAR, VEGADIF, VEGASON, VEGACAL and PROTRAC series.

The VEGADIS 81 and the VEGA sensors communicate via a bus signal.

The VEGADIS 81 are suitable for use in hazardous atmospheres of all combustible substances of explosion group IIA, IIB and IIC. The VEGADIS 81 are suitable for applications requiring category 2G (EPL Gb) instruments.

4 Application area

Category 2G (EPL Gb instruments)

The VEGADIS DIS81 with the mechanical fixing element are installed in hazardous areas of zone 1 requiring category 2G (EPL Gb) instruments.

5 Special operating conditions

The following list describes the special operating conditions of VEGADIS DIS81.

Ambient temperature

You can find the details in chapter "*Thermal data*" of these safety instructions.

Impact and friction sparks

The VEGADIS DIS81 in light metal versions (e.g. aluminium, titanium, zircon) must be mounted in such a way that sparks from impact and friction between light metals and steel (except stainless steel, if the presence of rust particles can be excluded) cannot occur.

Non-grounded, metallic parts

The capacitance of the metal measuring point identification plate was measured with 15 pF.

6 Important information for mounting and maintenance

General instructions

The following requirements must be fulfilled for mounting, electrical installation, setup and maintenance of the instrument:

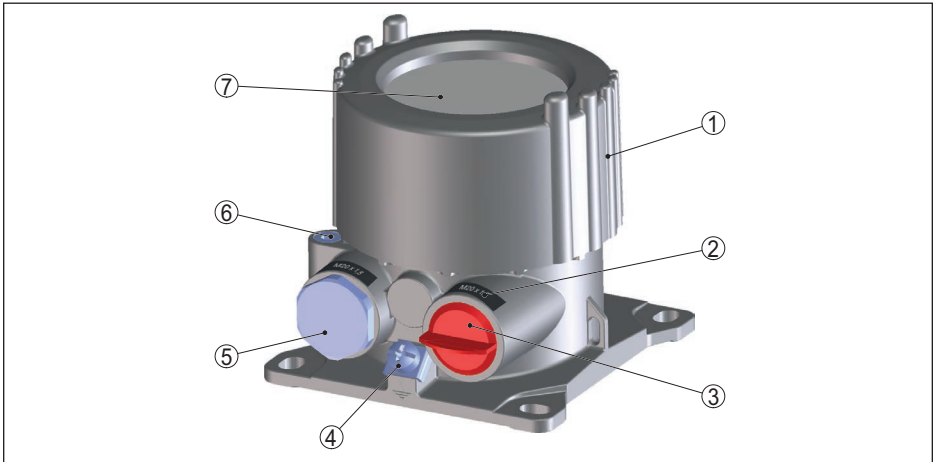
- The staff must be qualified according the respective tasks

- The staff must be trained in explosion protection
- The staff must be familiar with the respectively valid regulations, e.g. planning and installation acc. to IEC/EN 60079-14
- Make sure when working on the instrument (mounting, installation, maintenance) that there is no explosive atmosphere present, the supply circuits should be voltage-free, if possible
- The instrument has to be mounted according to the manufacturer specifications, the EU type approval certificate and the valid regulations and standards
- Modifications on the instrument can influence the explosion protection and hence the safety, therefore repairs are not permitted to be conducted by the end user
- Modifications must only be carried out by employees authorized by VEGA company
- Use only approved spare parts
- Components for installation and connection not included in the approval documents are only permitted if these correspond technically to the latest standard mentioned on the cover sheet. They must be suitable for the application conditions and have a separate certificate. The special conditions of the components must be noted and if necessary, the components must be integrated in the type test. This applies also to the components already mentioned in the technical description.
- Vessel installations and probable flow must be taken into account

Cable and wire entries

- The VEGADIS DIS81 must be connected via suitable cable gland or conduit systems that are in conformity with the requirements of the type of protection and the IP protection and provided with a separate type approval certificate. When connecting VEGADIS DIS81 to conduit systems, the corresponding sealing facility must be connected directly to the housing.
- The red thread or/dust covers screwed in when the instruments are shipped (depending on the version) must be removed before setup and replaced by cable entries or closing screws suitable for the respective ignition protection type and IP protection.
- Note type and size of the thread: A label with the respective thread name is in the area of the respective thread
- Threads must have no damages
- Cable entries and closing screws should be mounted correctly and according to the safety instructions of the manufacturer to ensure the specified ignition protection type and IP protection rating. When using certified or suitable cable glands, closing screws or plug connections, it is absolutely necessary to note the corresponding certificates/documents. Supplied cable entries or closing screws meet these requirements.
- Unused openings must be closed with plugs suitable for the ignition protection type and IP protection. Supplied plugs meet these requirements.
- Cable or wire entries resp. the closing screws must be tightly screwed into the housing
- The connection cables resp. pipeline sealing facilities must be suitable for the application conditions (e.g. temperature range) of the application
- With surface temperatures > 70 °C, the cables must be suitable for the higher application conditions
- The connection cable of VEGADIS DIS81 has to be wired fix and in such a way that damages can be excluded.

Aluminium/Stainless steel "Ex d" housing



- 1 "Ex d" connection compartment with electronics module
- 2 Type of thread
- 3 Red threaded or dust protection cap
- 4 External ground terminal
- 5 Blind plug, part of the "Ex d" housing
- 6 Locking screw of the lid
- 7 Inspection window of glass

Mounting

Keep in mind for instrument mounting

- Mechanical damage on the instrument must be avoided
- Mechanical friction must be avoided
- Vessel installations and probable flow must be taken into account
- Process connections separating two areas of different Ex-zones must comply to valid regulations and standards and the protection rating must be in conformity to IEC/EN 60529
- Close the housing lid (s) up to the stop before starting operating, to ensure the IP protection rating specified on the type label
- Protect the lid against unauthorized opening by unscrewing the locking screw up to the stop. With double chamber housing, you have to protect both lids.

Flameproof enclosures

- The terminals for connecting the operating voltage or signal circuits are integrated in the connection compartment with type of protection "Flameproof enclosure Ex db".
- The thread gaps between housing and cover as well as between threaded fitting and container are flameproof joints
- It is not allowed to repair the flameproof joints.
- Cable, wire entries and closing screws must be certified acc. to ignition protection type "Flameproof enclosures Ex db". Cable, wire entries and closing screws of simple design must not be used.
- Separately certified cable and wire entries can determine the permissible ambient temperature range or the temperature classes
- For connection to a "Conduit" system the corresponding sealing facility must be attached directly to the "Ex db" connection compartment

- Unused openings must be sealed according to ignition protection type "Flameproof enclosures Ex db"
- Only one threaded adapter is allowed per thread, when using a closing screw, threaded adapters are not allowed
- The screwed in closing screw is certified as part of the "Ex db" housing

Maintenance

To ensure the functionality of the device, periodic visual inspection is recommended for:

- Secure mounting
- No mechanical damages or corrosion
- Worn or otherwise damaged cables
- No loose connections of the line connections, equipotential bonding connections
- Correct and clearly marked cable connections

The parts of the VEGADIS DIS81 being in contact with flammable media during operation must be included in the periodic overpressure test of the plant.

7 Safe operating mode

General operating conditions

- Do not operate the instrument outside the electrical, thermal and mechanical specifications of the manufacturer
- Use the instrument only in media against which the wetted parts are sufficiently resistant
- Note the relation between process temperature on the sensor/antenna and the permissible ambient temperature on the electronics housing. For permissible temperatures, see the respective temperature tables. See chapter "*Thermal data*".
- If necessary, a suitable overvoltage arrester can be connected in front of the VEGADIS DIS81
- For assessment and reduction of the explosion risk, valid standards such as for example ISO/EN 1127-1 must be taken into account
- Lids must not be opened if there is a hazardous atmosphere. The housing lids are marked with the warning label:

WARNING - DO NOT OPEN WHEN AN
EXPLOSIVE ATMOSPHERE IS PRESENT

8 Potential equalization/Grounding

- Integrate the instruments into the local potential equalisation, e.g. via the internal or external earth terminal
- If grounding of the cable screening is necessary, this must be carried out acc. to the valid standards and regulations, e.g. acc. to IEC/EN 60079-14

9 Electrostatic charging (ESD)

In case of instrument versions with electrostatically chargeable plastic parts, the danger of electrostatic charging and discharging must be taken into account!

The following parts can charge and discharge:

- Lacquered housing version or alternative special lacquering
- Plastic housing, plastic housing parts
- Metal housing with inspection window
- Plastic process fittings

- Plastic-coated process fittings and/or plastic-coated sensors
- Connection cable for separate versions
- Type label
- Isolated metallic labels (measuring point identification plate)

Take note in case of danger of electrostatic charges:

- Avoid friction on the surfaces
- Do not dry clean the surfaces

The instruments must be mounted/installed in such a way that the following can be ruled out:

- electrostatic charges during operation, maintenance and cleaning.
- process-related electrostatic charges, e.g. by measuring media flowing past

The warning label indicates danger:

WARNING - POTENTIAL ELECTROSTATIC CHARGING HAZARD - SEE INSTRUCTIONS

10 Electrical data

VEGADIS DIS81

Power supply and signal circuit: (terminals 5, 6, 7, 8)	$U \leq 6,4 \text{ V DC}$ $P \leq 500 \text{ mW}$ For connection to the indicating and adjustment circuit, terminal 5, 6, 7, 8 of the certified VEGAPULS, VEGAFLEX, VEGASON, VEGACAL, VEGABAR, VEGADIF and PROTRAC instruments in the ignition protection type "flameproof enclosure Ex d".
Circuit of the display and adjustment module: (spring contacts in the connection compartment)	Only for connection to the display and adjustment module PLICSCOM or for service purposes the interface adapter VEGACONNECT, if it is ensured that no explosive atmosphere is present!

11 Thermal data

The following temperature tables are valid for all housing and electronics versions.

Category 2G (EPL Gb instruments)

Temperature class	Ambient temperature (Ta)
T6, T5, T4, T3, T2, T1	-50 ... +60 °C

The permissible operating temperatures without explosion-endangered atmosphere are mentioned in the respective manufacturer instructions, e.g. operating instructions manuals.

Confirmation

Hereby the company VEGA Grieshaber KG declares that the approved CCOE devices have been manufactured in accordance with the IECEx approval mentioned in the attached CCOE certificate.

VEGA Grieshaber KG
Am Hohenstein 113
77761 Schiltach/Germany
Tel. +49 7836 50-0
E-mail: info@vega.com - www.vega.com

Printing date:

VEGA

All statements concerning scope of delivery, application, practical use and operating conditions of the sensors and processing systems correspond to the information available at the time of printing.

Subject to change without prior notice

© VEGA Grieshaber KG, Schiltach/Germany 2024

62508-EN-240409

VEGA Grieshaber KG
Am Hohenstein 113
77761 Schiltach
Germany

Phone +49 7836 50-0
E-mail: info.de@vega.com
www.vega.com