



# Safety instructions

## VEGATRENN 141, 142

Installation in non-Ex area  
with output intrinsic safety "i"



CE 0044



Document ID: 64567



# VEGA

## Contents

|           |  |          |
|-----------|--|----------|
| <b>1</b>  | <b>Area of applicability.....</b>                              | <b>4</b> |
| <b>2</b>  | <b>Device configuration/-properties .....</b>                  | <b>4</b> |
| <b>3</b>  | <b>General information.....</b>                                | <b>4</b> |
| <b>4</b>  | <b>Application area, use in gas and dust atmospheres.....</b>  | <b>4</b> |
| <b>5</b>  | <b>Special operating conditions.....</b>                       | <b>4</b> |
| <b>6</b>  | <b>Safe operating mode .....</b>                               | <b>5</b> |
| <b>7</b>  | <b>Important information for mounting and maintenance.....</b> | <b>6</b> |
| <b>8</b>  | <b>Electrical data.....</b>                                    | <b>7</b> |
| <b>9</b>  | <b>Mechanical data.....</b>                                    | <b>8</b> |
| <b>10</b> | <b>Thermal data .....</b>                                      | <b>8</b> |
| <b>11</b> | <b>Installation.....</b>                                       | <b>8</b> |

Supplementary documentation:

- Operating Instructions VEGATRENN 141, 142
- EU type approval certificate UL 20 ATEX 2405X (Document ID: 64568)
- EU declaration of conformity (Document ID: 52150)

Editing status: 2021-01-28

|    |   |
|----|---|
| DE | Sicherheitshinweise<br>für den Einsatz in explosionsgefährdeten Bereichen               |
| EN | Safety instructions<br>for the use in hazardous areas                                   |
| FR | Consignes de sécurité<br>pour une application en atmosphères explosibles                |
| IT | Normative di sicurezza<br>per l'impiego in luoghi con pericolo di esplosione            |
| ES | Instrucciones de seguridad<br>para el empleo en áreas con riesgo de explosión           |
| PT | Normas de segurança<br>para utilização em zonas sujeitas a explosão                     |
| NL | Veiligheidsaanwijzingen<br>voor gebruik op plaatsen waar ontploffingsgevaar kan heersen |
| SV | Säkerhetsanvisningar<br>för användning i explosionsfarliga områden                      |
| DA | Sikkerhedsforskrifter<br>til anvendelse i explosionsfarlig atmosfære                    |
| FI | Turvallisuusohjeet<br>räjähdysvaarallisissa tiloissa käyttöä varten                     |
| EL | Υποδείξεις ασφαλείας<br>για τη χρησιμοποίηση σε περιοχές που υπάρχει κίνδυνος έκρηξης   |

|    |  |
|----|--|
| DE | Die vorliegenden Sicherheitshinweise sind im Download unter <a href="http://www.vega.com">www.vega.com</a> standardmäßig in den Sprachen deutsch, englisch, französisch und spanisch verfügbar. Weitere EU-Landessprachen stellt VEGA nach Anforderungen zur Verfügung.        |
| EN | These safety instructions are available as a standard feature in the download area under <a href="http://www.vega.com">www.vega.com</a> in the languages German, English, French and Spanish. Further EU languages will be made available by VEGA upon request.                |
| FR | Les présentes consignes de sécurité sont disponibles au téléchargement sous <a href="http://www.vega.com">www.vega.com</a> en standard en allemand, en anglais, en français et en espagnol. VEGA met à disposition d'autres langues de l'Union Européenne selon les exigences. |
| ES | Las indicaciones de seguridad presentes están disponibles en la zona de descarga de <a href="http://www.vega.com">www.vega.com</a> de forma estándar en los idiomas inglés, francés y español. VEGA pone a disposición otros idiomas de la UE cuando son requeridos.           |

## 1 Area of applicability

These safety instructions apply to the devices:

- VEGATRENN 141
- VEGATRENN 142

In accordance with the EU type approval certificate UL 20 ATEX 2405X, as associated equipment (certificate number on type plate) and for all devices with safety instruction 64567.

The classification as well as the respective standards are stated in the above certificates:

Type of protection marking:

- II (1) G [Ex ia Ga] IIC
- II (1) D [Ex ia Da] IIIC
- I (M1) [Ex ia Ma] I

## 2 Device configuration/-properties

The detailed device configurations can be retrieved using the serial number search on our homepage.

Move to "[www.vega.com](http://www.vega.com)" and enter in the search field the serial number of your instrument.

Alternatively, you can find all via your smartphone:

- Download the VEGA Tools app from the "*Apple App Store*", "*Google Play Store*" or "*Baidu Store*"
- Scan the DataMatrix code on the type label of the instrument or
- Enter the serial number manually in the app

## 3 General information

The single and double channel separators VEGATRENN 141, 142 are used for galvanic separation, intrinsically safe power supply as well as signal transmission of Ex approved 4 ... 20 mA sensors in hazardous areas.

The separators are ideal in conjunction with signal conditioning instruments, e.g. PLC, having no own Ex-approval and have to allow bidirectional HART transmission.

The instruments are used for separation of intrinsically safe and non-intrinsically safe circuits and intrinsically safe supply of field sensors.

The VEGATRENN 141, 142 are active separators, detecting the intrinsically safe current of a sensor in Ex area and making it available to a non-intrinsically safe, passive output.

The operating instructions as well as the installation regulations or standards that apply for explosion protection of electrical systems must generally be observed.

The installation of explosion-protected systems must always be carried out by qualified personnel.

## 4 Application area, use in gas and dust atmospheres

### Associated apparatus

The VEGATRENN 141, 142 may be installed and operated outside of hazardous areas as associated equipment.

## 5 Special operating conditions

The following overview is listing all special properties of VEGATRENN 141, 142, which make a labelling with the symbol "X" behind the certificate number necessary.

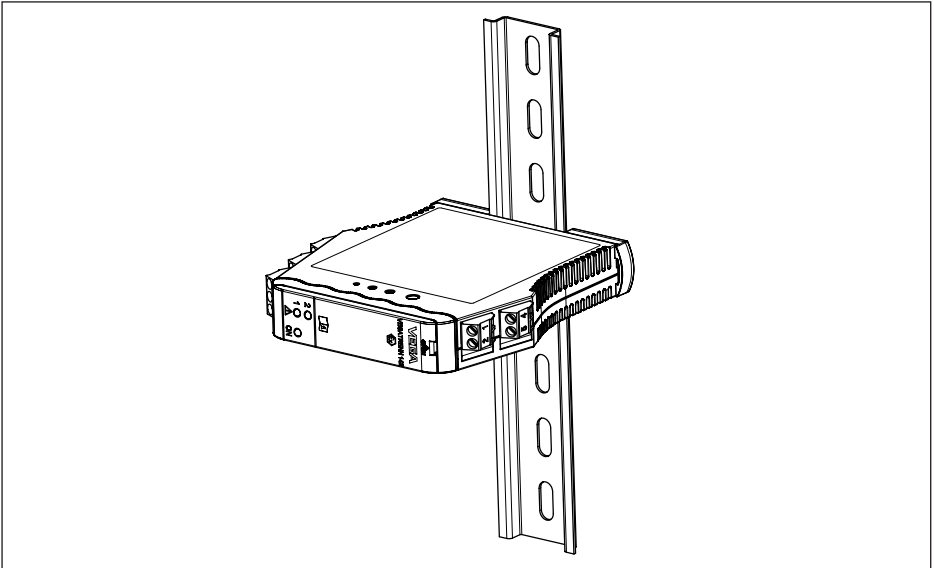
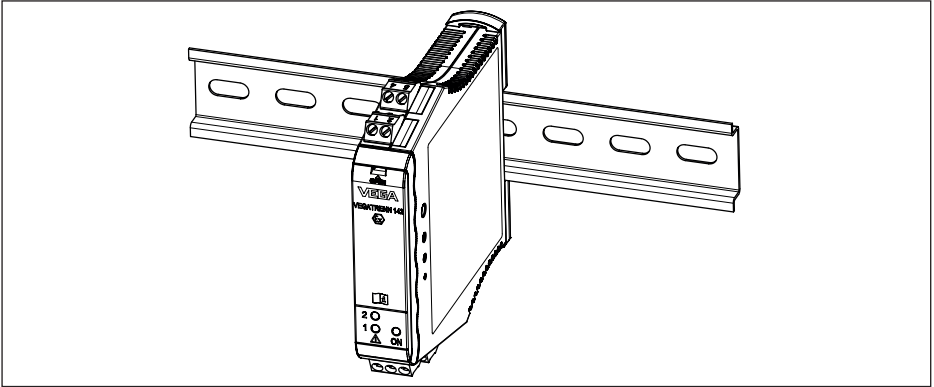
## Ambient temperature

You can find the details in chapter " *Thermal data*" of these safety instructions.

The installer must ensure that the rated ambient temperature range of the device is not exceeded when it is installed in a housing together with other devices and that adequate separation is provided around the device.

## Mounting options

The VEGATRENN 141, 142 must be mounted horizontally or vertically on a wall mounting rail (DIN rail).



## 6 Safe operating mode

### General operating conditions

- Do not operate the instrument outside the electrical, thermal and mechanical specifications of the manufacturer

### Connection conditions

- The connection cable of VEGATRENN 141, 142 has to be wired fix and in such a way that damages can be excluded
- If the temperature at the entry parts exceeds 70 °C, temperature-resistant connection cables must be used

## 7 Important information for mounting and maintenance

### General instructions

The following requirements must be fulfilled for mounting, electrical installation, setup and maintenance of the instrument:

- The staff must be qualified according the respective tasks
- The staff must be trained in explosion protection
- The staff must be familiar with the respectively valid regulations, e.g. planning and installation acc. to EN 60079-14
- Make sure when working on the instrument (mounting, installation, maintenance) that there is no explosive atmosphere present, the supply circuits should be voltage-free, if possible.
- The instrument has to be mounted according to the manufacturer specifications, the EU type approval certificate and the valid regulations and standards
- Modifications on the instrument can influence the explosion protection and hence the safety, therefore repairs are not permitted to be conducted by the end user
- Modifications must only be carried out by employees authorized by VEGA company
- Use only approved spare parts
- Components for installation and connection not included in the approval documents are only permitted if these correspond technically to the latest standard mentioned on the cover sheet. They must be suitable for the application conditions and have a separate certificate. The special conditions of the components must be noted and if necessary, the components must be integrated in the type test. This applies also to the components already mentioned in the technical description.

### Mounting

Keep in mind for instrument mounting

- Mechanical damage on the instrument must be avoided
- Mechanical friction must be avoided

### Maintenance

To ensure the functionality of the device, periodic visual inspection is recommended for:

- Secure mounting
- No mechanical damages or corrosion
- Worn or otherwise damaged cables
- No loose connections of the line connections, equipotential bonding connections
- Correct and clearly marked cable connections

### Intrinsic safety "i"

- Observe the valid regulations for the interconnection of intrinsically safe circuits.
- The instrument is only suitable for connection to certified, intrinsically safe instruments
- If the intrinsically safe circuit is led into dust-explosive areas of zone 20 or 21, please make sure that the instruments connected to these circuits meet the requirements of category 1D (EPL Da instruments) or 2D (EPL Db instruments) and are certified respectively

## 8 Electrical data

### VEGATRENN 141, 142

#### Non-intrinsically safe circuit

|                              |   |
|------------------------------|---|
| <b>Supply circuit:</b>       | <b>VEGATRENN 141</b>  |
| Terminals 16[+, L], 17[-, N] | $U = 24 \dots 65 \text{ V DC } (-15 \dots +10 \%)$<br>$P = 3 \text{ W}$<br>$U = 24 \dots 230 \text{ V AC } (-15 \dots +10 \%), 50/60 \text{ Hz}$<br>$P = 15 \text{ VA}$<br>$U_m = 253 \text{ V AC}$ |

|                              |   |
|------------------------------|---|
| <b>Supply circuit:</b>       | <b>VEGATRENN 142</b>  |
| Terminals 16[+, L], 17[-, N] | $U = 24 \dots 31 \text{ V DC } (-15 \dots +10 \%)$<br>$P = 5 \text{ W}$<br>$U_m = 253 \text{ V AC}$ |

|   |   |
|---|---|
| <b>Current output circuit:</b>  |   |
| $I_{out 1}$ , terminals 10, 11, 12[-]<br>In addition only VEGATRENN 142:<br>$I_{out 2}$ , terminals 13, 14, 15[-] | $I = 4 \dots 20 \text{ mA/HART aktiv}$<br>$U \leq 16.5 \text{ V DC}$<br>$\text{Load} \leq 600 \text{ Ohm (without integrated HART resistor)}$<br>$U_m = 253 \text{ V AC}$ |

#### Intrinsically safe circuit

|   |   |
|---|---|
| <b>Supply and signal circuit:</b>   |   |
| 4 ... 20 mA sensor 1: Terminals 1[+], 2[-]<br>In addition only VEGATRENN 142:<br>4 ... 20 mA sensor 2: Terminals 4[+], 5[-] | In type of protection intrinsic safety Ex ia IIC, IIB/IIC, I.<br>For connection to a certified, intrinsically safe circuit.<br>$U_o \leq 26.3 \text{ V DC}$<br>$I_o \leq 100 \text{ mA}$<br>$P_o \leq 658 \text{ mW}$<br>Characteristics: linear<br>$C_i = 1.2 \text{ nF}$<br>$L_i$ negligibly small<br>The maximum values given in the table can be used as concentrated capacitances and concentrated inductances.<br>The values for IIC and IIB are also permissible for dust explosive areas. |

| Ex ia                                  | IIC     |         | IIB, IIC                     |                              | IIA                          | I                            |
|--|---------|---------|------------------------------|------------------------------|------------------------------|------------------------------|
| Permissible external inductance $L_o$  | 0.2 mH  | 1 mH    | 0.2 mH                       | 2 mH                         | 10 mH                        | 5 mH                         |
| Permissible external capacitance $C_o$ | 95.8 nF | 54.8 nF | 618.8 nF                     | 328.8 nF                     | 508.8 nF                     | 708.8 nF                     |
| Permissible outer $L_o/R_o$ -ratio     | -       | -       | 216 $\mu\text{H}/\text{Ohm}$ | 216 $\mu\text{H}/\text{Ohm}$ | 433 $\mu\text{H}/\text{Ohm}$ | 710 $\mu\text{H}/\text{Ohm}$ |

The intrinsically safe circuits of VEGATRENN 141, 142 are galvanically separated from ground.

The intrinsically safe circuits of the VEGATRENN 141, 142 are reliably separated from the non-intrinsically safe circuit up to a peak value of 375 V.

The maximum voltage on the non-intrinsically safe circuits must not exceed 253 Vrms in the event of a fault.

## 9 Mechanical data

The following mechanical data are valid for all housing and electronics versions.

| Mechanical data           |                              |
|---------------------------|------------------------------|
| Protection (IEC/EN 60529) | IP20                         |
| Connection cross-section: | 0.25 ... 2.5 mm <sup>2</sup> |
| Overtoltage category      | II                           |
| Pollution degree          | 2                            |

## 10 Thermal data

### Permissible ambient temperatures

| Permissible ambient temperature at the installation location of an instrument | Ambient temperature (Ta)        |
|---|---------------------------------|
| As associated equipment   | -20 ... +60 °C (-4 ... +140 °F) |

## 11 Installation

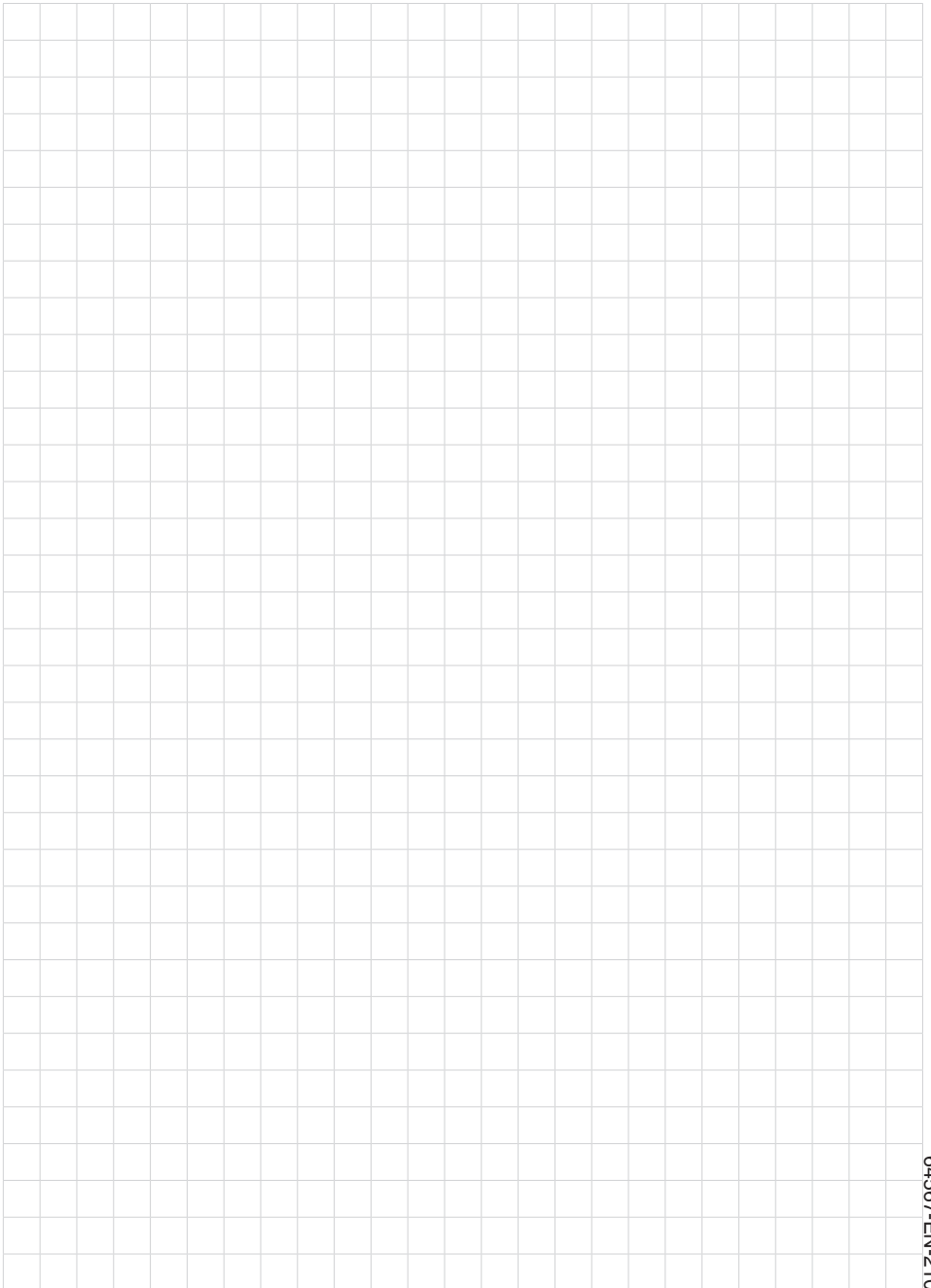
VEGATRENN 141, 142 as associated equipment must be mounted and operated outside hazardous areas.

If the intrinsically safe circuit is led into dust-explosive areas of zone 20 or 21, please make sure that the instruments connected to these circuits meet the requirements of category 1D (EPL Da instruments) or 2D (EPL Db instruments) and are certified respectively.

If the intrinsically safe circuit is led into firedamp endangered areas of group I category M1 or M2, please make sure that the instruments connected to these circuits meet the requirements of category M1 (EPL Ma instruments) or M2 (EPL Mb instruments) and are certified respectively.









Printing date:

**VEGA**

All statements concerning scope of delivery, application, practical use and operating conditions of the sensors and processing systems correspond to the information available at the time of printing.

Subject to change without prior notice

© VEGA Grieshaber KG, Schiltach/Germany 2021



64567-EN-210223

VEGA Grieshaber KG  
Am Hohenstein 113  
77761 Schiltach  
Germany

Phone +49 7836 50-0  
E-mail: [info.de@vega.com](mailto:info.de@vega.com)  
[www.vega.com](http://www.vega.com)