

Safety instructions

VEGAWAVE 61, 63

Flameproof enclosures
Contactless electronic switch
Relay (DPDT)
Transistor (NPN/PNP)
Two-wire
NAMUR



Document ID: 66057



VEGA

Contents

1	Area of applicability.....	3
2	Important specification in the type code.....	3
3	Different ignition protection types	4
4	General information.....	4
5	Application area.....	4
6	Specific conditions of use ("X" identification)	5
7	Important information for mounting and maintenance.....	6
8	Safe operating mode	9
9	Instructions for zone 0, zone 0/1 applications	9
10	Potential equalization/Grounding	10
11	Electrostatic charging (ESD)	10
12	Electrical data.....	10
13	Thermal data	11

Supplementary documentation:

- Operating Instructions VEGAWAVE 61, 63
- Certificate of Conformity IECEx PTB 21.0014 X (Document ID: 66058)

Editing status: 2021-02-15

1 Area of applicability

These safety instructions apply to the level sensors VEGAWAVE 61, 63 of type series:

- WE61.L****C/R/T/Z/NA**
- WE63.L****C/R/T/Z/NA**

with the electronics versions

- C - Contactless electronic switch
- R - Relay (DPDT)
- T - Transistor (NPN/PNP)
- Z - Two-wire
- N - NAMUR

According to Certificate of Conformity IECEx PTB 21.0014 X (certificate number on the type label) and for all instruments with safety instruction 66057.

The classification as well as the respective standards are stated in the Certificate of Conformity:

- IEC 60079-0: 2017
- IEC 60079-1: 2014
- IEC 60079-26: 2014

Type of protection marking:

- Ex db IIC T6...T1 Ga/Gb
- or
- Ex db IIC T6 ... T1 Gb

2 Important specification in the type code

VEGAWAVE WE61/63(*).abcdefghijkl

Position		Feature	Description
ab	Approval	LI	Ex db IIC T1 ... T6 Ga/Gb, Gb
		L*	Ex db IIC T6 in combination with other Ex approvals (e.g. dust)
c	Version / Process temperature	A	Standard / -40 ... +150 °C
		B	with adapter / -40 ... +250 °C
		C	Detection of solids in water / -40 ... +150 °C
		D	Detection of solids in water / -40 ... +250 °C
		E	with CarboCer coating, less buildup, no corrosion/abrasion protection / -40 ... +150 °C
		F	with CarboCer coating, less buildup, no corrosion/abrasion protection / -40 ... +250 °C
de	Process fitting / Material	**	Process fittings acc. to industry standard
f	Electronics	C	Contactless electronic switch 20 ... 250 V AC/DC
		R	Relay (DPDT) 20 ... 72 V DC/20 ... 250 V AC (3A)
		T	Transistor (NPN/PNP) 10 ... 55 V DC
		Z	Two-wire (8/16 mA) 10 ... 36 V DC
		N	NAMUR signal

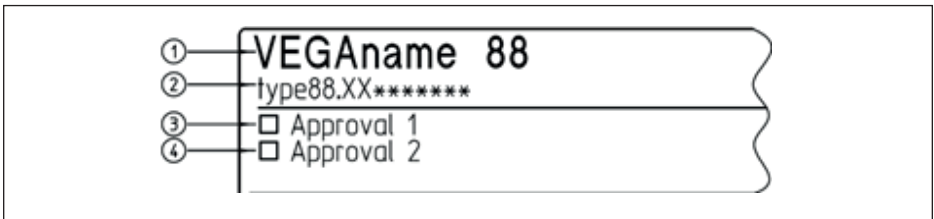
Position		Feature	Description
g	Housing / Protection	A	Aluminium single chamber / IP66/IP67
		*	Further housings with special colour
i	Cable entry / Cable gland / Plug connection	M	M20 x 1.5 / without / without
		N	½ NPT / without / without
		*	Further suitable Cable gland and Plug connection
j	Additional equipment	X	

In the following, all above mentioned versions are called VEGAWAVE 61, 63. If parts of these safety instructions refer only to certain versions, then these will be mentioned explicitly with their type code.

3 Different ignition protection types

The VEGAWAVE 61, 63 can be either used in explosive dust atmospheres or in explosive gas atmospheres.

The operator must specify the selected ignition protection type before installation. The selected ignition protection must be determined by marking it firmly on the identification label of the type plate.



- 1 VEGAWAVE 61, 63
- 2 Instrument version
- 3 Identification label: Approval in dust ignition protection type e. g. „Ex t“
- 4 Identification label: Approval in Gas ignition protection type e. g. „Ex i“, „Ex d“

If VEGAWAVE 61, 63 is installed in a dust atmosphere, then the safety instructions and the instructions in the respective certificates must be noted:

Installation	Approval	Certificate	Safety instruction
Dust	"GI"	IECEX BVS 06.013	48041

4 General information

The VEGAWAVE 61, 63 are used for level measurement in hazardous areas.

The VEGAWAVE 61, 63 are suitable for applications in hazardous atmospheres of all combustible materials of explosion groups IIA, IIB and IIC.

The VEGAWAVE 61, 63 are suitable for applications requiring EPL Ga/Gb or EPL Gb instruments.






5 Application area

EPL Ga/Gb instrument

The VEGAWAVE 61, 63 with mechanical fixing element are installed in hazardous areas of zone 1 requiring EPL Gb instruments. The mechanical fixing element, process connection element is installed in the separating wall, which separates areas requiring EPL Gb or EPL Ga instruments. The sensor measuring system is installed in hazardous areas of zone 0 requiring EPL Ga instruments.

EPL Gb instrument

The VEGAWAVE 61, 63 with the mechanical fixing element are installed in hazardous areas of zone 1 requiring EPL Gb instruments.

VEGA Instrument	EPL Gb	EPL Ga/Gb
Ex Zone 2 		
Ex Zone 1 		
Ex Zone 0 		

6 Specific conditions of use ("X" identification)

The following overview is listing all special properties of VEGAWAVE 61, 63, which make a labelling with the symbol "X" behind the certificate number necessary.

Electrostatic charging (ESD)

You can find the details in chapter " *Electrostatic charging (ESD)*" of these safety instructions.

Ambient temperature

You can find the details in chapter " *Thermal data*" of these safety instructions.

Impact and friction sparks

The VEGAWAVE 61, 63 in light metal versions (e.g. aluminium, titanium, zircon) must be mounted in such a way that sparks from impact and friction between light metals and steel (except stainless steel, if the presence of rust particles can be excluded) cannot occur.

Non-grounded, metallic parts

The resistance between aluminium housing to metal measuring point identification plate is $> 10^9$ Ohm.

The capacitance of the metal measuring point identification plate was measured as follows:

Measurement loop identification label	Capacitance
45 x 23 mm (standard)	21 pF
100 x 30 mm	52 pF
73 x 47 mm	61 pF

Media resistance

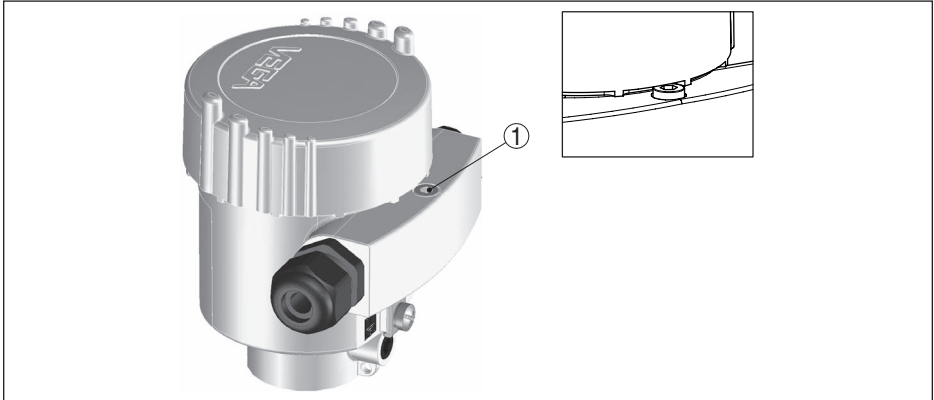
The wetted materials must be resistant against the measured media.

The min. fatigue strength of the vibrating element is 8.8×10^{11} load changes with a max. amplitude of 222 μm . The lifetime is minimum 20 years.

Locking mechanism of housing cover

With single-chamber housing versions, the lid must be screwed in to the stop and secured with the locking device before setup and use of VEGAWAVE 61, 63 in hazardous atmospheres. It must be secured by unscrewing the cover locking screw to the stop.

Single chamber housing



1 Locking screw of the lid

Installation

The VEGAWAVE 61, 63 have to be mounted such that they are effectively protected against oscillating and vibrating due to the influence of other vessel installations and the flow conditions. This applies especially to distance tube lengths over 3 m.

7 Important information for mounting and maintenance

General instructions

The following requirements must be fulfilled for mounting, electrical installation, setup and maintenance of the instrument:

- The staff must be qualified according the respective tasks
- The staff must be trained in explosion protection
- The staff must be familiar with the respectively valid regulations, e.g. planning and installation acc. to IEC 60079-14
- Make sure when working on the instrument (mounting, installation, maintenance) that there is no explosive atmosphere present, the supply circuits should be voltage-free, if possible.
- The instrument has to be mounted according to the manufacturer specifications, the Certificate of Conformity and the valid regulations and standards
- Modifications on the instrument can influence the explosion protection and hence the safety, therefore repairs are not permitted to be conducted by the end user
- Modifications must only be carried out by employees authorized by VEGA company
- Use only approved spare parts
- Components for installation and connection not included in the approval documents are only permitted if these correspond technically to the latest standard mentioned on the cover sheet. They must be suitable for the application conditions and have a separate certificate. The special conditions of the components must be noted and if necessary, the components must be integrated in the type test. This applies also to the components already mentioned in the technical description.

- Vessel installations and probable flow must be taken into account

Cable and wire entries

- The VEGAWAVE 61, 63 must be connected via suitable cable gland or conduit systems that are in conformity with the requirements of the flame proofing and the IP protection and provided with a separate type approval certificate. When connecting VEGAWAVE 61, 63 to conduit systems, the corresponding sealing facility must be connected directly to the housing.
- The red thread or/dust covers screwed in when the instruments are shipped (depending on the version) must be removed before setup and replaced by cable entries or closing screws suitable for the respective ignition protection type and IP protection.
- Note type and size of the thread: A label with the respective thread name is in the area of the respective thread
- Threads must have no damages
- Cable entries and closing screws should be mounted correctly and according to the safety instructions of the manufacturer to ensure the specified ignition protection type and IP protection rating. When using certified or suitable cable glands, closing screws or plug connections, it is absolutely necessary to note the corresponding certificates/documents. Supplied cable entries or closing screws meet these requirements.
- Unused openings must be closed with plugs suitable for the ignition protection type and IP protection. Supplied plugs meet these requirements.
- Cable or wire entries resp. the closing screws must be tightly screwed into the housing
- The connection cables resp. pipeline sealing facilities must be suitable for the application conditions (e.g. temperature range) of the application
- With surface temperatures $> 70\text{ }^{\circ}\text{C}$, the cables must be suitable for the higher application conditions
- The connection cable of VEGAWAVE 61, 63 has to be wired fix and in such a way that damages can be excluded.

Single chamber housing



- 1 Lid, optionally with inspection window
- 2 Electronics compartment
- 3 Label: Thread type
- 4 Screw plug
- 5 External ground terminal
- 6 Red threaded or dust protection cap
Transport protection, replace with installation
- 7 Locking screws of the lid for lid locking

Mounting

Keep in mind for instrument mounting

- Mechanical damage on the instrument must be avoided
- Mechanical friction must be avoided
- Vessel installations and probable flow must be taken into account
- Process connections separating two areas of different Ex-zones must comply to valid regulations and standards and the protection rating must be in conformity to IEC/EN 60529
- Close the housing lid (s) up to the stop before starting operating, to ensure the IP protection rating specified on the type label
- Protect the lid against unauthorized opening by unscrewing the locking screw up to the stop. With double chamber housing, you have to protect both lids.

Maintenance

To ensure the functionality of the device, periodic visual inspection is recommended for:

- Secure mounting
- No mechanical damages or corrosion
- Worn or otherwise damaged cables
- No loose connections of the line connections, equipotential bonding connections
- Correct and clearly marked cable connections

The parts of the VEGAWAVE 61, 63 being in contact with flammable media during operation must be included in the periodic overpressure test of the plant.

Flameproof enclosure "d"

- The terminals for connecting the operating voltage or signal circuits are integrated in the connection compartment with type of protection flameproof enclosure "d"
- The thread gaps between housing and cover as well as between threaded fitting and container are flameproof joints
- It is not allowed to repair the flameproof joints.
- Cable, wire entries and closing screws must be certified acc. to ignition protection type Flameproof enclosures "d". Cable, wire entries and closing screws of simple design must not be used.
- Separately certified cable and wire entries can determine the permissible ambient temperature range or the temperature classes
- Only one threaded adapter is allowed per thread, when using a closing screw, threaded adapters are not allowed

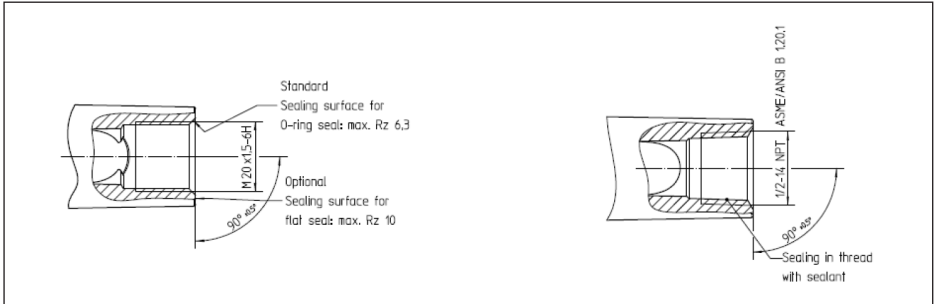
Cable glands, threaded openings

Type	Thread	Cable diameter [mm]	Torques [Nm]
Hummel EXIOS A2F 1.608.2003.50	M20 x 1.5	6 ... 12 mm	8
Hummel EXIOS A2F 1.608.1203.70	½ NPT	6 ... 12 mm	8
Hummel EXIOS MZ 1.6Z5.2000.51	M20 x 1.5	9 ... 13 mm	8
Hummel EXIOS MZ 1.6Z5.1200.70	½ NPT	9 ... 13 mm	8

The specified torques are test torques and can only be regarded as reference values. The manufacturer's mounting instructions provided must be observed.

If suitable cable glands or cable insertion possibilities not included in the scope of supply are used, these must be compatible with the threaded openings.

Aluminium housing with M20 x 1.5 thread, 1/2 NPT thread



8 Safe operating mode

General operating conditions

- Do not operate the instrument outside the electrical, thermal and mechanical specifications of the manufacturer
- Use the instrument only in media against which the wetted parts are sufficiently resistant
- Note the relation between process temperature on the sensor/antenna and the permissible ambient temperature on the electronics housing. For permissible temperatures, see the respective temperature tables. See chapter " *Thermal data*".
- If necessary, a suitable overvoltage arrester can be connected in front of the VEGAWAVE 61, 63
- For assessment and reduction of the explosion risk, valid standards such as for example ISO/EN 1127-1 must be taken into account
- Lids must not be opened if there is a hazardous atmosphere. The housing lids are marked with the warning label:

WARNING - DO NOT OPEN WHEN AN
EXPLOSIVE ATMOSPHERE IS PRESENT

9 Instructions for zone 0, zone 0/1 applications

In hazardous areas, the instrument, sensor measuring system in zone 0 should only be operated under atmospheric conditions:

- Temperature: -20 ... +60 °C.
- Pressure: 80 ... 110 kPa (0.8 ... 1.1 bar)
- Air with normal oxygen content, normally 21 %

The operator must ensure that the medium temperature in zone 0 is not higher than 80 % of the self-ignition temperature of the concerned medium (in °C) and does not exceed the max. permissible flange temperature depending on the temperature class. The parts of the sensor which during operation are in contact with flammable products, must be integrated in the periodic overpressure test of the plant.

If no explosive mixtures or additional application conditions are certified resp. supplementary measures such as e.g. according to ISO/EN 1127-1 taken, then the instruments can be also operated according to the manufacturer specification outside atmospheric conditions.

If there is a risk of dangerous potential differences inside zone 0, then suitable measures for circuits in zone 0 must be taken, e.g. according to the requirements of IEC/EN 60079-14.

Process fittings between two explosion protection areas require category 1G (EPL Ga) and less

endangered areas must show a tightness in accordance with protection rating IP67 acc. to IEC/ EN 60529.

10 Potential equalization/Grounding

- Integrate the instruments into the local potential equalisation, e.g. via the internal or external earth terminal
- The potential equalization terminal must be secured against loosening and twisting
- If grounding of the cable screening is necessary, this must be carried out acc. to the valid standards and regulations, e.g. acc. to IEC/EN 60079-14

11 Electrostatic charging (ESD)

In case of instrument versions with electrostatically chargeable plastic parts, the danger of electrostatic charging and discharging must be taken into account!

The following parts can charge and discharge:

- Lacquered housing version or alternative special lacquering
- Plastic housing, plastic housing parts
- Metal housing with inspection window
- Plastic process fittings
- Plastic-coated process fittings and/or plastic-coated sensors
- Connection cable for separate versions
- Type label
- Isolated metallic labels (measuring point identification plate)

Take note in case of danger of electrostatic charges:

- Avoid friction on the surfaces
- Do not dry clean the surfaces

The instruments must be mounted/installed in such a way that the following can be ruled out:

- electrostatic charges during operation, maintenance and cleaning.
- process-related electrostatic charges, e.g. by measuring media flowing past

The warning label indicates danger:

WARNING - POTENTIAL ELECTROSTATIC CHARGING HAZARD - SEE INSTRUCTIONS

12 Electrical data

VEGAWAVE WE6*.L**** CA**	
Voltage supply: Terminals 1, 2	U = 20 ... 253 V AC, 50/60 Hz U = 20 ... 253 V DC, max. 1 W U _m = 253 V AC
Output:	Contactless electronic switch
Domestic current requirement:	< 5 mA (via load circuit)
Load current:	min. 10 mA max. 400 mA

VEGAWAVE WE6*.L**** RA**		
Voltage supply: Terminals 1, 2	20 ... 253 V AC, 50/60 Hz U = 20 ... 72 V DC U _m = 253 V AC	
Max. power consumption:	1 ... 8 VA, 1.6 W	
Relay circuit:	Maximum values	
	Contact set 1: Terminals 3, 4, 5	253 V AC, 3 A, 500 VA
	Contact set 2: Terminals 6, 7, 8	253 V DC, 1 A, 41 W

VEGAWAVE WE6*.L**** TA**	
Voltage supply: Terminals 1, 4	10 ... 55 V DC U _m = 253 V AC
Max. power consumption:	0.5 W
Max. load current: floating transistor output Terminals 2, 3	400 mA, 55 V DC

VEGAWAVE WE6*.L**** ZA**	
Supply and signal circuit: Terminals 1[+], 2[-]	U _i = 12 ... 36 V DC U _m = 253 V

VEGAWAVE WE6*.L**** NA**	
Supply and signal circuit: Terminals 1[+], 2[-]	U _i = 4 ... 12.5 V DC U _m = 253 V

13 Thermal data

The max. permissible ambient temperatures depending on the temperature classes are specified in the following tables.

EPL Ga/Gb instrument

Temperature class	Ambient temperature on the electronics	Permissible ambient temperature on the sensor without temperature adapter	Permissible ambient temperature on the sensor with temperature adapter
T6	-40 ... +77 °C	-50 ... +85 °C	-50 ... +85 °C
T5	-40 ... +80 °C	-50 ... +100 °C	-50 ... +100 °C
T4	-40 ... +80 °C	-50 ... +135 °C	-50 ... +135 °C
T3	-40 ... +80 °C	-50 ... +150 °C	-50 ... +200 °C
T2, T1	-40 ... +80 °C	-50 ... +150 °C	-50 ... +250 °C

When the sensor of VEGAWAVE 61 and 63 is operated in hazardous atmospheres of zone 0, there is no danger of ignition if it is operated under non-atmospheric pressures from vacuum to 16 bar and temperatures according to the temperature classes T6 ... T1.

EPL Gb instrument

Temperature class	Ambient temperature on the electronics	Permissible ambient temperature on the sensor without temperature adapter	Permissible ambient temperature on the sensor with temperature adapter
T6	-40 ... +77 °C	-50 ... +85 °C	-50 ... +85 °C
T5	-40 ... +80 °C	-50 ... +100 °C	-50 ... +100 °C
T4	-40 ... +80 °C	-50 ... +135 °C	-50 ... +135 °C
T3	-40 ... +80 °C	-50 ... +150 °C	-50 ... +200 °C
T2, T1	-40 ... +80 °C	-50 ... +150 °C	-50 ... +250 °C

The permissible operating temperatures and pressures are mentioned in the respective manufacturer instructions.

Permissible process pressure on the sensor

EPL Ga/Gb instrument

If VEGAWAVE 61 and 63 are used as EPL Ga/Gb instruments, pressures on the sensor from vacuum to 16 bar are permissible according to the temperature classes T6 ... T1.

There is no danger of ignition if the sensor used in hazardous atmospheres of Zone 0 is operated under non-atmospheric pressures and temperatures.

EPL Ga/Gb instrument

If VEGAWAVE 61 and 63 are used as EPL Ga/Gb instruments, pressures from -1 bis 16 bar according to temperature classes T6 ... T1 are permitted also in the version with lock fitting (ARV-WE63.2*).

EPL Gb instrument

If VEGAWAVE 61 and 63 are used as EPL Gb instrument, pressures on the sensor from vacuum to 16 bar are permissible.

The permissible operating temperatures and pressures are mentioned in the respective manufacturer instructions.







Printing date:

VEGA

All statements concerning scope of delivery, application, practical use and operating conditions of the sensors and processing systems correspond to the information available at the time of printing.

Subject to change without prior notice

© VEGA Grieshaber KG, Schiltach/Germany 2021

66057-EN-210611

VEGA Grieshaber KG
Am Hohenstein 113
77761 Schiltach
Germany

Phone +49 7836 50-0
E-mail: info.de@vega.com
www.vega.com