

Mounting instructions

Exchange electronics second chamber

VEGAPULS 6X



Document ID: 1046533



VEGA

Contents

1	About this document	3
1.1	Symbols used.....	3
2	For your safety	4
2.1	Authorised personnel	4
2.2	Appropriate use.....	4
2.3	Observe the operating instructions.....	4
2.4	Approvals	4
3	Carrying out the assembly work	5
3.1	General instructions	5
3.2	Mounting preparations	5
3.3	Installation procedure	5
4	Dismount	7
4.1	Disposal	7

1 About this document

1.1 Symbols used



Document ID

This symbol on the front page of this instruction refers to the Document ID. By entering the Document ID on www.vega.com you will reach the document download.



Information, note, tip: This symbol indicates helpful additional information and tips for successful work.



Note: This symbol indicates notes to prevent failures, malfunctions, damage to devices or plants.



Caution: Non-observance of the information marked with this symbol may result in personal injury.



Warning: Non-observance of the information marked with this symbol may result in serious or fatal personal injury.



Danger: Non-observance of the information marked with this symbol results in serious or fatal personal injury.



Ex applications

This symbol indicates special instructions for Ex applications.



List

The dot set in front indicates a list with no implied sequence.



Sequence of actions

Numbers set in front indicate successive steps in a procedure.



Disposal

This symbol indicates special instructions for disposal.

2 For your safety

2.1 Authorised personnel

All operations described in this documentation must be carried out only by trained and authorized personnel.

During work on and with the device, the required personal protective equipment must always be worn.

2.2 Appropriate use

The components described in this manual are replacement components for existing sensors.

The electronics module "*Supplementary electronics*" is a replacement module for a sensor VEGAPULS 6X with double chamber housing.

2.3 Observe the operating instructions

These operating instructions describe how to exchange the replacement module. Observe all safety instructions in the associated, comprehensive operating instructions for the device.

2.4 Approvals

For devices with approvals, the associated approval documents of the sensor must always be observed. These are included in the scope of delivery or can be downloaded from our homepage via the serial number.

3 Carrying out the assembly work

3.1 General instructions

Safety during mounting

We recommended installing the electronics module with the instrument dismantled and brought to a suitable place, e.g. a workshop. If it is not possible to dismantle the instrument, the electronics module can also be installed on site at the measuring point.



Warning:

When dismantling, pay attention to the process conditions in vessels or pipelines. There is a risk of injury, e.g. due to high pressures or temperatures as well as aggressive or toxic media. Avoid this by taking appropriate protective measures.



Warning:

Switch off voltage supply before starting the installation procedure. The electronics module may only be installed when the sensor is in a de-energised state. Non-observance will damage the electronics!

Ex approval



For sensors with Ex approval, make sure that the replacement electronics module has the same designation as the exchanged electronics module.

Assignment

3.2 Mounting preparations

The supplementary electronics is mounted into the second chamber of the sensor housing and is adapted to the respective sensor. Make sure that you are using a replacement electronics suitable for the instrument.

Position in the housing - Double chamber

3.3 Installation procedure

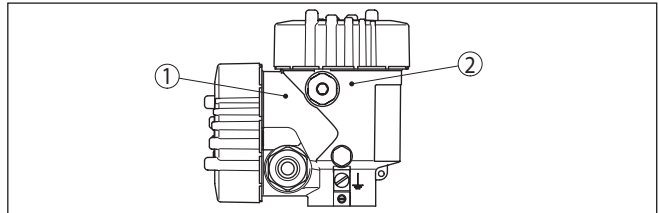


Fig. 1: Position of the supplementary electronics in the second chamber and the main electronics in the electronics compartment (example illustration)

1 Supplementary electronics

2 Main electronics

Procedure

Proceed as follows:

1. Switch off voltage supply
2. Unscrew the housing cover of the second chamber
3. Detach the connection cables from the terminals according to the operating instructions manual of the respective sensor

4. Loosen the holding screws with a screwdriver (Torx size T 10 or slotted screwdriver size 4)

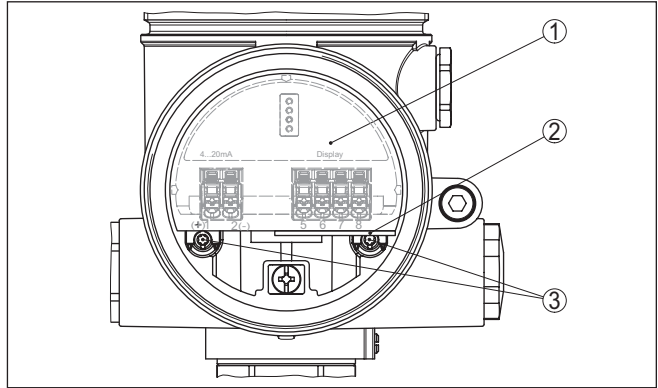


Fig. 2: Second chamber with supplementary electronics (example illustration)

- 1 Supplementary electronics
- 2 Dismounting tool
- 3 Screws (2 pcs.)

5. Pull the previous supplementary electronics out by using the dismounting tool.
6. Insert the new supplementary electronics module carefully.
7. Screw in the holding screws and tighten them
8. Insert the connection cables into the terminals again
9. Screw the housing lid back on

The supplementary electronics is exchanged.



As a rule, the exchange of the supplementary electronics must be documented internally when used in Ex applications.

4 Dismount

4.1 Disposal



Pass the instrument on to a specialised recycling company and do not use the municipal collecting points.

Remove any batteries in advance, if they can be removed from the device, and dispose of them separately.

If personal data is stored on the old device to be disposed of, delete it before disposal.

If you have no way to dispose of the old instrument properly, please contact us concerning return and disposal.

Printing date:

VEGA

All statements concerning scope of delivery, application, practical use and operating conditions of the sensors and processing systems correspond to the information available at the time of printing.

Subject to change without prior notice

© VEGA Grieshaber KG, Schiltach/Germany 2024

1046533-EN-240903

VEGA Grieshaber KG
Am Hohenstein 113
77761 Schiltach
Germany

Phone +49 7836 50-0
E-mail: info.de@vega.com
www.vega.com