

# Mounting instructions

## Housing exchange

plics® devices



Document ID: 31150



# VEGA

# Contents

- 1 About this document ..... 3**
  - 1.1 Symbols used..... 3
- 2 For your safety ..... 4**
  - 2.1 Authorised personnel ..... 4
  - 2.2 Appropriate use..... 4
  - 2.3 Observe the operating instructions..... 4
- 3 Product description ..... 5**
  - 3.1 Configuration..... 5
  - 3.2 Principle of operation..... 5
- 4 Carrying out the assembly work ..... 6**
  - 4.1 General instructions ..... 6
  - 4.2 Mounting preparations ..... 6
  - 4.3 Dismounting steps existing housing ..... 6
  - 4.4 Mounting steps new housing..... 9
- 5 Dismount..... 11**
  - 5.1 Disposal ..... 11

# 1 About this document

## 1.1 Symbols used



### Document ID

This symbol on the front page of this instruction refers to the Document ID. By entering the Document ID on [www.vega.com](http://www.vega.com) you will reach the document download.



**Information, note, tip:** This symbol indicates helpful additional information and tips for successful work.



**Note:** This symbol indicates notes to prevent failures, malfunctions, damage to devices or plants.



**Caution:** Non-observance of the information marked with this symbol may result in personal injury.



**Warning:** Non-observance of the information marked with this symbol may result in serious or fatal personal injury.



**Danger:** Non-observance of the information marked with this symbol results in serious or fatal personal injury.



### Ex applications

This symbol indicates special instructions for Ex applications.



#### List

The dot set in front indicates a list with no implied sequence.



#### Sequence of actions

Numbers set in front indicate successive steps in a procedure.



### Disposal

This symbol indicates special instructions for disposal.

## **2 For your safety**

### **2.1 Authorised personnel**

All operations described in this documentation must be carried out only by trained and authorized personnel.

During work on and with the device, the required personal protective equipment must always be worn.

### **2.2 Appropriate use**

The components described in this manual are replacement components for existing sensors.

### **2.3 Observe the operating instructions**

These operating instructions describe how to exchange the replacement module. Observe all safety instructions in the associated, comprehensive operating instructions for the device.

## 3 Product description

### 3.1 Configuration

#### Scope of delivery

The scope of delivery encompasses:

- Replacement housing with screwed cover
- Retaining ring
- Check bracket
- Screws
- Lock washers
- Documentation
  - This instruction

#### Constituent parts

The housing consists of the basic body as well as a screwed cover for the electronics or connection compartment.

Basic body and screwed cover are available in different materials. Depending on the order, the screwed cover is available with or without inspection window for the display and adjustment module.

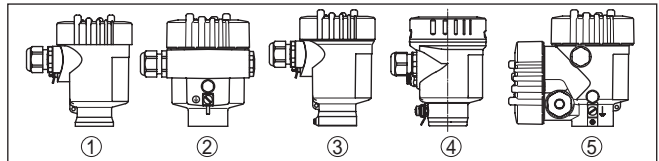


Fig. 1: Versions of the replacement housing

- 1 Plastic single chamber
- 2 Aluminium, stainless steel single chamber
- 3 Stainless steel single chamber (precision casting)
- 4 Stainless steel single chamber (electropolished)
- 5 Plastic, aluminium, stainless steel double chamber

### 3.2 Principle of operation

#### Application area

The housing is suitable for all plics® instruments in the respective version and signal output.

## 4 Carrying out the assembly work

### 4.1 General instructions

#### Safety during mounting

It is recommended to carry out the installation work with the device removed at a suitable place, e.g. a workshop. If it is not possible to remove the device, the housing can also be replaced at the measuring point.



#### Warning:

When dismounting, pay attention to the process conditions in vessels or pipelines. There is a risk of injury, e.g. due to high pressures or temperatures as well as aggressive or toxic media. Avoid this by taking appropriate protective measures.

#### Ex approval



In Ex applications, only housings with appropriate Ex approval may be used.

### 4.2 Mounting preparations

#### Tools

The following tools are required for exchanging the housing:

- Magnetic screwdriver Torx T10 or slot 4
- Circlip pliers shaft version (article number: 1039568)
- Screwdriver, slot 1
- Screwdriver slot 4 (with stainless steel single chamber as well as stainless steel and aluminium double chamber housing)
- Allen wrench size 2.5 (for single chamber housing as well as double chamber housing of stainless steel or Aluminium)

### 4.3 Dismounting steps existing housing

#### Electronics module - single chamber housing

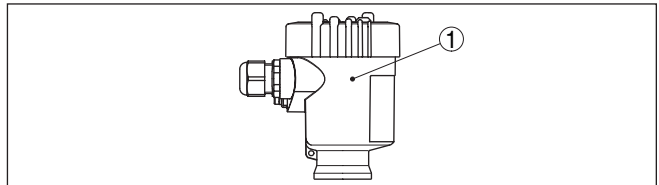


Fig. 2: Position of the main electronics in the electronics compartment (example illustration)

1 Main electronics

**Electronics module - double chamber housing**

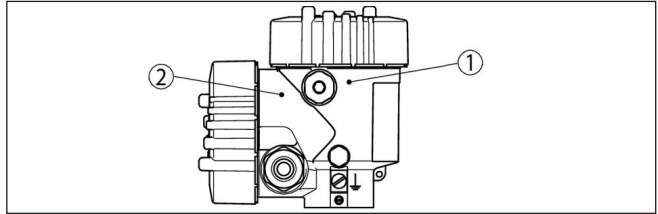


Fig. 3: Position of the main electronics in the electronics compartment and the supplementary electronics in the connection compartment (example illustration)

- 1 Main electronics
- 2 Supplementary electronics

**Dismounting the electronics module**

Proceed as follows:

1. Switch off voltage supply
2. Remove the housing lid from the electronics compartment as well as the double chamber housing of the connection compartment
3. Disconnect the connection cables according to the operating instructions manual of the respective sensor

For double chamber housings, disconnect the internal wiring in the electronics compartment (electrical connection from the electronics compartment to the connection compartment) of the respective sensor

4. Loosen the holding screws on the electronics module with a screwdriver (Torx T10 or slot 4) and then pull out the electronics module on the demounting tool

With double chamber housing, repeat the step for the second chamber

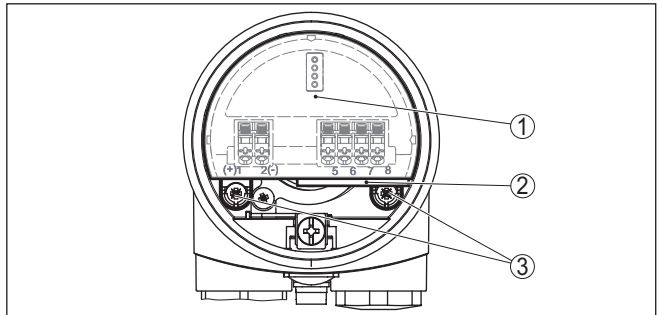


Fig. 4: Electronics compartment with main electronics (example illustration)

- 1 Electronics module
- 2 Dismounting tool
- 3 Screws (2 pcs.)

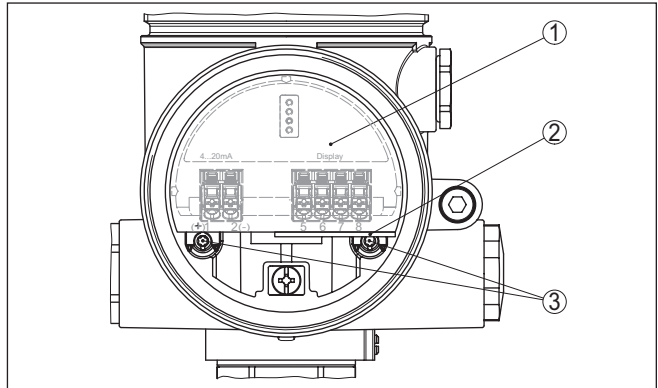


Fig. 5: Connection compartment with supplementary electronics (example illustration)

- 1 Electronics module
- 2 Dismounting tool
- 3 Screws (2 pcs.)

## Remove the housing

Proceed as follows:

1. Depending on the housing, loosen locking screw on the base

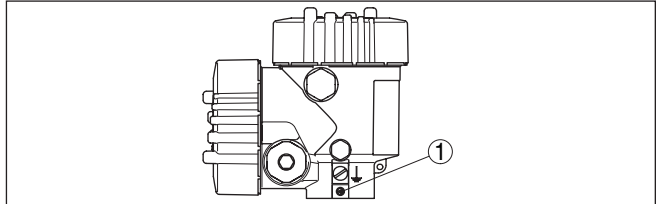


Fig. 6: Double chamber housing - locking screw (example illustration)

- 1 Position of the screw
2. Loosen the screws of the locking ring and the optional limiting bracket with a screwdriver Torx T10



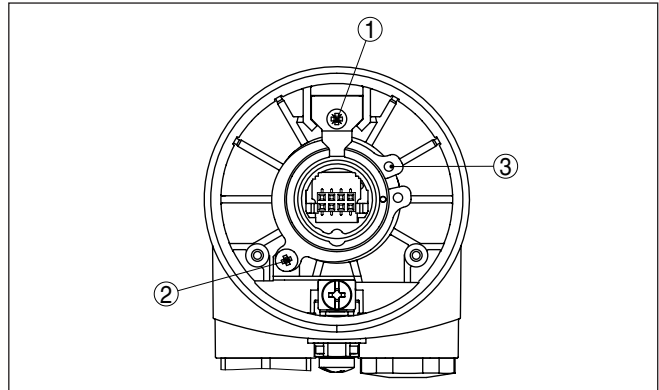


Fig. 7: Position of the screws and locking ring in the example of the plastic housing

- 1 Screw check angle
- 2 Screw locking ring
- 3 Retaining ring

- 3. Open the locking ring with the pliers and remove it
- 4. Remove the housing

#### 4.4 Mounting steps new housing

Proceed as follows:

- 1. Attach the new housing
- 2. Insert the locking ring with the pliers



**Note:**

Insert the locking ring carefully. Ensure that the locking ring is not overstretched and is inserted in the correct position during installation.

- 3. Tighten the screws of the locking ring and the optional limiting bracket with a screwdriver Torx T10
- 4. Depending on the housing, tighten locking screw on the base

#### Attach the housing

#### Mounting the electronics module

Proceed as follows:

- 1. Insert main electronics carefully into the electronics compartment



**Note:**

The electronics modules of some sensors are connected via a plug. Make sure that the plug is in the correct position. The marking notch must be in position "6 h".

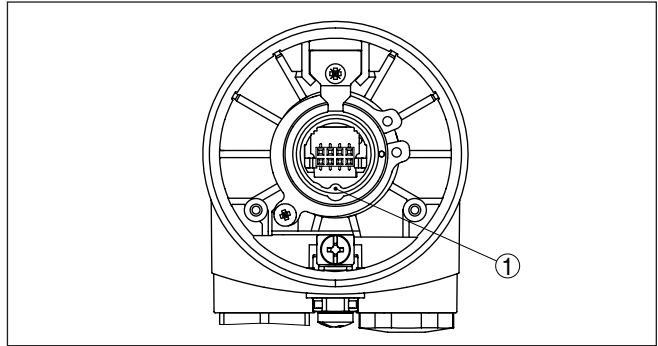


Fig. 8: Plug position

1 Notch

2. Tighten holding screws with a screwdriver (Torx T10 or slot 4)  
For double chamber housings, insert the supplementary electronics into the connection compartment and tighten the locking screws
3. Connect the connection cables according to the operating instructions manual of the respective sensor  
For double chamber housings, disconnect the internal wiring in the electronics compartment of the respective sensor. Note the numbering on the individual wires
4. Screw the housing lid back on

The exchange is finished.



For Ex applications, the exchange must be documented in general, internally.

## 5 Dismount

### 5.1 Disposal



Pass the instrument on to a specialised recycling company and do not use the municipal collecting points.

Remove any batteries in advance, if they can be removed from the device, and dispose of them separately.

If personal data is stored on the old device to be disposed of, delete it before disposal.

If you have no way to dispose of the old instrument properly, please contact us concerning return and disposal.

Printing date:

**VEGA**

All statements concerning scope of delivery, application, practical use and operating conditions of the sensors and processing systems correspond to the information available at the time of printing.

Subject to change without prior notice

© VEGA Grieshaber KG, Schiltach/Germany 2024

31150-EN-241105

VEGA Grieshaber KG  
Am Hohenstein 113  
77761 Schiltach  
Germany

Phone +49 7836 50-0  
E-mail: [info.de@vega.com](mailto:info.de@vega.com)  
[www.vega.com](http://www.vega.com)