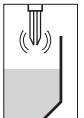


# VEGA

## Operating Instructions

Electronics module  
VEGAWAVE series 60



# Contents

- 1 About this document**
  - 1.1 Function . . . . . 3
  - 1.2 Target group . . . . . 3
  - 1.3 Symbolism used . . . . . 3
- 2 For your safety**
  - 2.1 Authorised personnel . . . . . 4
  - 2.2 Appropriate use . . . . . 4
  - 2.3 Safety instructions for Ex areas . . . . . 4
  - 2.4 Environmental instructions . . . . . 4
- 3 Product description**
  - 3.1 Configuration . . . . . 5
  - 3.2 Principle of operation . . . . . 5
  - 3.3 Storage and transport . . . . . 5
- 4 Mounting**
  - 4.1 Mounting instructions . . . . . 6
  - 4.2 Mounting preparations . . . . . 6
  - 4.3 Mounting steps . . . . . 6
- 5 Setup**
  - 5.1 Setup . . . . . 8
- 6 Maintenance**
  - 6.1 Instrument repair . . . . . 9
- 7 Dismounting**
  - 7.1 Dismounting procedure . . . . . 10
  - 7.2 Disposal . . . . . 10
- 8 Supplement**
  - 8.1 Technical data . . . . . 11

# 1 About this document

## 1.1 Function

This operating instructions manual has all the information you need for quick mounting and setup of a replacement component. Please read this manual before you start setup.

## 1.2 Target group

This operating instructions manual is directed to trained, qualified personnel. The contents of this manual should be made available to these personnel and put into practice by them.

## 1.3 Symbolism used



### Information, tip, note

This symbol indicates helpful additional information.



**Caution:** If this warning is ignored, faults or malfunctions can result.

**Warning:** If this warning is ignored, injury to persons and/or serious damage to the instrument can result.

**Danger:** If this warning is ignored, serious injury to persons and/or destruction of the instrument can result.



### Ex applications

This symbol indicates special instructions for Ex applications.



### List

The dot set in front indicates a list with no implied sequence.



### Action

This arrow indicates a single action.



### Sequence

Numbers set in front indicate successive steps in a procedure.

## 2 For your safety

### 2.1 Authorised personnel

All operations described in this operating instructions manual must be carried out only by trained specialist personnel authorised by the operator. For safety and warranty reasons, any internal work on the instruments must be carried out only by personnel authorised by the manufacturer.

### 2.2 Appropriate use

Oscillator WE 60 is a replacement oscillator for VEGAWAVE series 60 vibrating level switches.

### 2.3 Safety instructions for Ex areas

Please note the Ex-specific safety information for installation and operation in Ex areas. These safety instructions are part of the operating instructions manual and come with the Ex-approved instruments.

### 2.4 Environmental instructions

Protection of the environment is one of our most important duties. That is why we have introduced an environment management system with the goal of continuously improving company environmental protection. The environment management system is certified according to DIN EN ISO 14001.

Please help us fulfil this obligation by observing the environmental instructions in this manual:

- Chapter "*Storage and transport*"
- Chapter "*Disposal*"

## 3 Product description

### 3.1 Configuration

#### Scope of delivery

The scope of delivery encompasses:

- Electronics module for VEGAWAVE series 60 (WE 60)
- Documentation
  - this operating instructions manual

### 3.2 Principle of operation

#### Area of application

The oscillator WE 60 is suitable for replacement in VEGA-WAVE series 60 vibrating level switches.

### 3.3 Storage and transport

#### Packaging

Your instrument was protected by packaging during transport. Its capacity to handle normal loads during transport is assured by a test according to DIN EN 24180.

The packaging of standard instruments consists of environment-friendly, recyclable cardboard. For special versions, PE foam or PE foil is also used. Dispose of the packaging material via specialised recycling companies.

#### Storage and transport temperature

- Storage and transport temperature see "*Supplement - Technical data - Ambient conditions*"
- Relative humidity 20 ... 85 %

## 4 Mounting

### 4.1 Mounting instructions

If the electronics module is defective, it can be replaced by the user.



In Ex applications, only an instrument and an electronics module with appropriate Ex approval may be used.

### 4.2 Mounting preparations

In general, all oscillators of series WE 60 can be interchanged. If you want to use an oscillator with a different signal output, you can download the corresponding operating instructions manual from our homepage under Downloads.

### 4.3 Mounting steps

#### Mounting steps

Proceed as follows to exchange the electronics module:

- 1 Switch off power supply
- 2 Unscrew the housing cover
- 3 Lift the opening levers of the terminals with a screwdriver
- 4 Pull the connection cables out of the terminals
- 5 Loosen the two screws with a screw driver (Torx size T10 or slot 4)

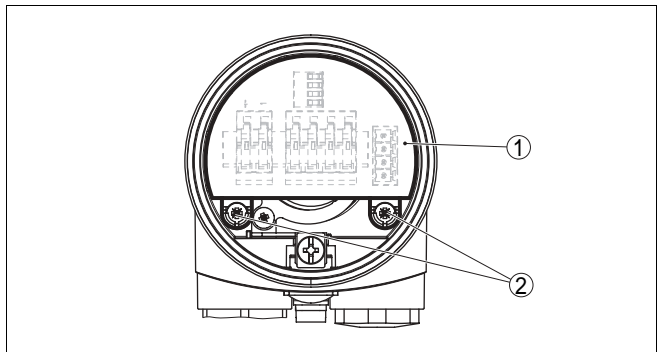


Fig. 1: Loosen the screws

- 1 Electronics module
- 2 Screws (2 pcs.)

- 6 Remove the old oscillator

- 7 Compare the new oscillator with the old one. The type label of the oscillator must correspond to that of the old oscillator. This applies particularly to instruments used in hazardous areas.
- 8 Compare the settings of the two oscillators. Set the adjustment elements of the new oscillator to the same setting of the old one.

**Information:**

Make sure that the housing is not rotated during the electronics exchange. Otherwise the plug may be in a different position later.

- 9 Insert the oscillator carefully. Make sure that the plug is in the correct position.
  - 10 Insert the two hold screws and tighten them
  - 11 Insert the wire ends into the open terminals according to the wiring plan
  - 12 Press the opening lever of the terminals downward, you will hear the terminal spring closing
  - 13 Check the hold of the wires in the terminals by lightly pulling on them
  - 14 Check the tightness of the cable entry. The seal ring must completely encircle the cable.
  - 15 Screw the housing cover back on
- The electronics exchange is hence terminated.



As a rule, the exchange of the electronics must be documented internally when used in Ex applications.

## 5 Setup

### 5.1 Setup

#### Setup

When replacing the oscillator, make sure that all adjustment elements are set to the settings of the old oscillator. Hence the sensor is immediately ready for operation.

In general, all oscillators of series WE 60 can be interchanged.

If you want to use an oscillator with a completely different signal output, you have to carry out the complete setup.

The necessary, suitable operating instructions manual can be downloaded from our homepage under Downloads.

The adjustment should be carried out acc. to the description in the operating instructions manual.



## 6 Maintenance

### 6.1 Instrument repair

If a repair is necessary, please proceed as follows:

You can download a return form (23 KB) in the Internet from our homepage [www.vega.com](http://www.vega.com) under: "*Downloads - Forms and Certificates - Repair form*".

By doing this you help us carry out the repair quickly and without having to call back for needed information.

- Print and fill out one form per instrument
- Clean the instrument and pack it damage-proof
- Attach the completed form and possibly also a safety data sheet to the instrument
- Please contact the agency serving you for the address of the return shipment

## 7 Dismounting

### 7.1 Dismounting procedure

Take note of chapters "*Mounting*" and "*Connecting to power supply*" and carry out the listed steps in reverse order.

### 7.2 Disposal

The replacement component consists of materials which can be recycled by specialised recycling companies. We have purposely designed the electronic modules to be easily separable.

#### **WEEE directive 2002/96/EG**

This replacement component is not subject to the WEEE directive 2002/96/EG and the respective national laws (in Germany, e.g. ElektroG). Pass the replacement component directly on to a specialised recycling company and do not use the municipal collecting points. They may only be used for privately used products acc. to the WEEE directive.

Correct disposal avoids negative effects to persons and environment and ensures recycling of useful raw materials.

Materials: see "*Technical data*"

If you cannot dispose of the replacement component properly, please contact us about disposal methods or return.

## 8 Supplement

### 8.1 Technical data

#### Technical data

---

are stated in the operating instructions manual of the appropriate sensor.



VEGA Grieshaber KG  
Am Hohenstein 113  
77761 Schiltach  
Germany  
Phone +49 7836 50-0  
Fax +49 7836 50-201  
E-mail: [info@de.vega.com](mailto:info@de.vega.com)  
[www.vega.com](http://www.vega.com)



All statements concerning scope of delivery, application, practical use and operating conditions of the sensors and processing systems correspond to the information available at the time of printing.

© VEGA Grieshaber KG, Schiltach/Germany 2006