

Mounting instructions

Protective cover



Document ID: 34296



VEGA

Contents

| | | |
|----------|--|----------|
| 1 | For your safety | 3 |
| 1.1 | Authorised personnel | 3 |
| 1.2 | Appropriate use..... | 3 |
| 1.3 | General safety instructions | 3 |
| 1.4 | Safety instructions for Ex areas | 3 |
| 2 | Product description | 4 |
| 2.1 | Configuration..... | 4 |
| 2.2 | Principle of operation..... | 4 |
| 3 | Mounting..... | 6 |
| 3.1 | Mounting preparations | 6 |
| 3.2 | Installation procedure..... | 6 |
| 4 | Supplement | 8 |
| 4.1 | Technical data | 8 |
| 4.2 | Dimensions | 8 |
| 4.3 | Industrial property rights..... | 10 |
| 4.4 | Trademark..... | 10 |

1 For your safety

1.1 Authorised personnel

All operations described in this instruction manual must be carried out only by trained qualified personnel authorised by the plant operator.

During work on and with the device, the required personal protective equipment must always be worn.

1.2 Appropriate use

The protective cover is an accessory or retrofit part for sensors from the VEGA plics® line of products.

1.3 General safety instructions

The safety information in the operating instructions manual of the respective device must be noted.

1.4 Safety instructions for Ex areas

Take note of the Ex specific safety instructions for Ex applications. These instructions are attached as documents to each instrument with Ex approval and are part of the operating instructions.

2 Product description

2.1 Configuration

Scope of delivery

The scope of delivery encompasses:

- Protective cover
- Documentation
 - These mounting instructions

Constituent parts

The protective cover is available in two versions:

- For housings with central cable connection, e.g. plastic single-chamber housing
- For housings with tangential cable connection, e.g. Aluminium single-chamber and double-chamber housings

The two versions differ in configuration and size; function and handling are identical.

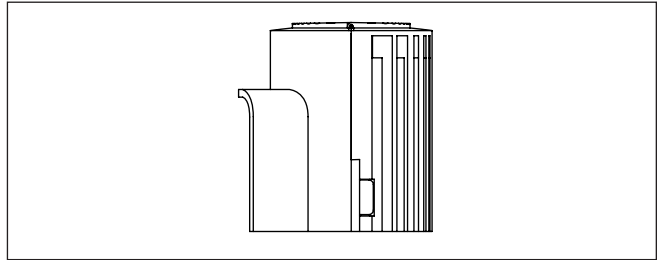


Fig. 1: Protective cover for housing with centric cable connection

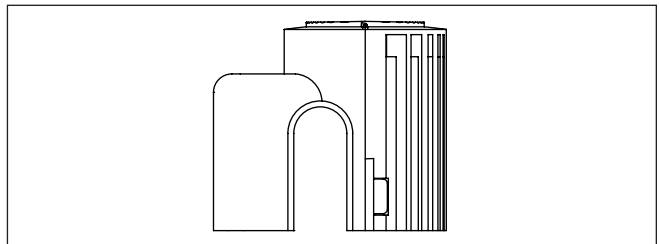


Fig. 2: Protective cover for housing with tangential cable connection

2.2 Principle of operation

Application area

The protective cover is an accessory or retrofit part for level, switching and pressure sensors from the VEGA plics® product line. It is suitable for sensors with or without display and adjustment module. The height difference of the housing is compensated by the supplied foam rubber adapter disc.

With double chamber housings, the display and adjustment module must be mounted on top.

Functional principle

The protective cover protects the sensor housing against soiling and intense heat from solar radiation when it is mounted outdoors.

It consists of two half-shells with hinge held together by a snap-on connection. A secure hold on the sensor housing is ensured via fastening elements. Ventilation slots allow air circulation.

The protective cover is put on after the sensor is mounted and commissioned. It is not necessary to interrupt the electrical connection.

3 Mounting

3.1 Mounting preparations

Tools

No tools are required for mounting.

3.2 Installation procedure

Proceed as follows:

1. Open the snap connection by pressing on the smooth housing half

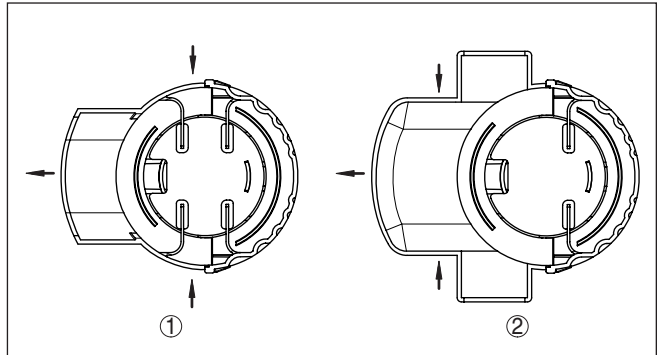


Fig. 3: Loosen the snap-on connection by pushing and pulling

- 1 Version for housing with centric cable connection
- 2 Version for housing with tangential cable connection

2. Opening the protective cover

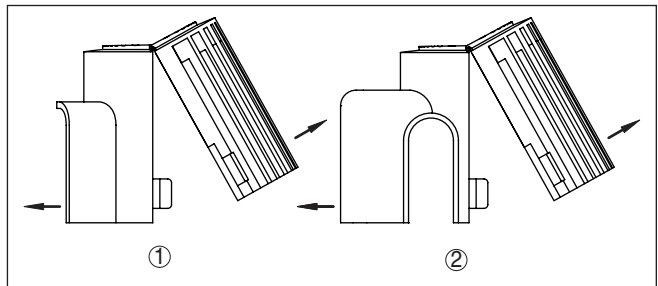


Fig. 4: Opening the protective cover

- 1 Version for housing with centric cable connection
- 2 Version for housing with tangential cable connection

3. In case of sensor housing with integrated display and adjustment module, remove the foam rubber disc
4. Slide the protective cover over the sensor housing
5. Close the protective cover and snap in the snap connection

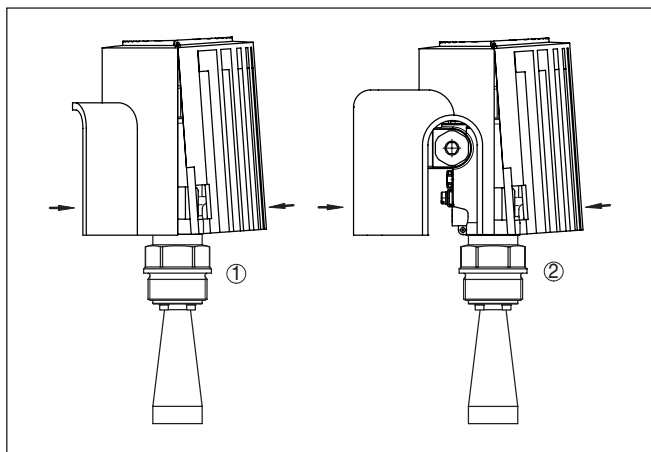


Fig. 5: Close the protective cover

- 1 Version for housing with centric cable connection
- 2 Version for housing with tangential cable connection

6. Check if the protective cover is sitting firmly on the sensor housing

Assembly is finished.

Dismounting is carried out correspondingly in reverse order.

4 Supplement

4.1 Technical data

General data

| | |
|----------|----------------------------|
| Material | Plastic PBT |
| Colour | Tele grey (RAL 7047) |
| Weight | approx. 0.3 kg (0.661 lbs) |

Ambient conditions

Ambient, storage and transport temperature -40 ... +80 °C (-40 ... +176 °F)

4.2 Dimensions

Version for housing with centric cable connection

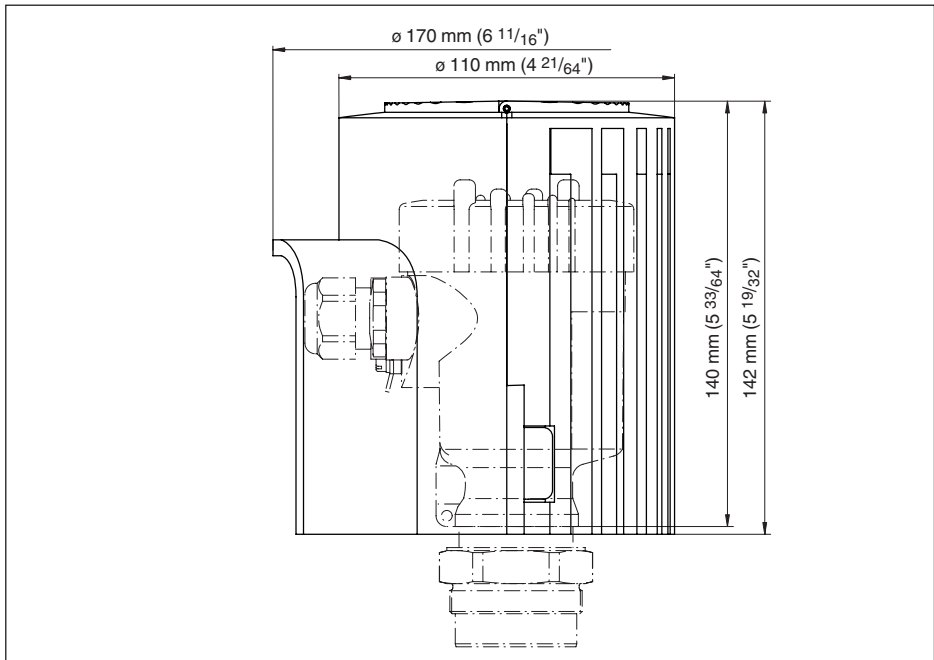


Fig. 6: Version for housing with centric cable connection

Version for housing with tangential cable connection

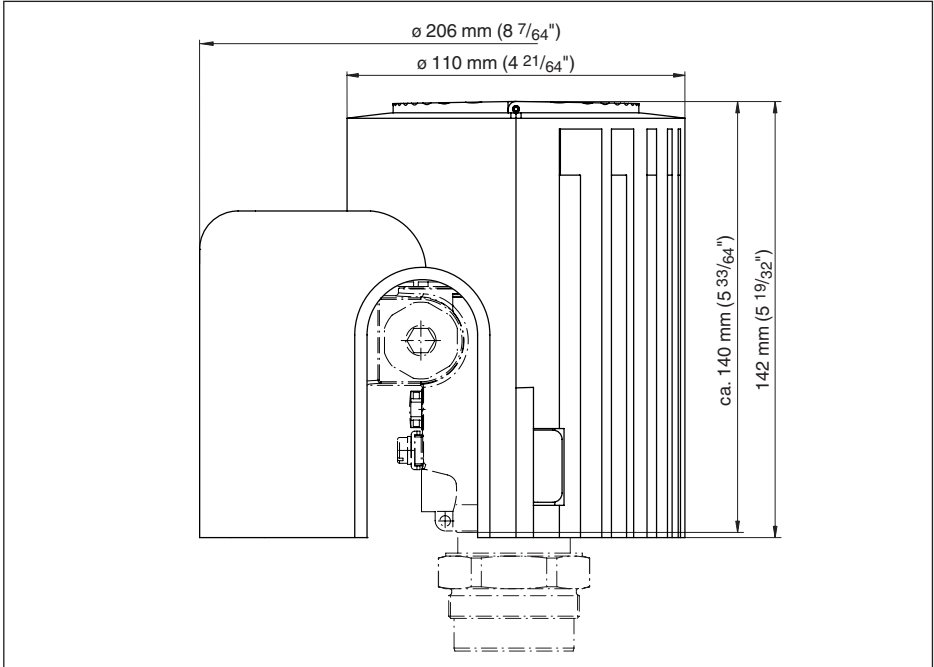


Fig. 7: Version for housing with tangential cable connection

4.3 Industrial property rights

VEGA product lines are global protected by industrial property rights. Further information see www.vega.com.

VEGA Produktfamilien sind weltweit geschützt durch gewerbliche Schutzrechte.

Nähere Informationen unter www.vega.com.

Les lignes de produits VEGA sont globalement protégées par des droits de propriété intellectuelle. Pour plus d'informations, on pourra se référer au site www.vega.com.

VEGA líneas de productos están protegidas por los derechos en el campo de la propiedad industrial. Para mayor información revise la pagina web www.vega.com.

Линии продукции фирмы ВЕГА защищаются по всему миру правами на интеллектуальную собственность. Дальнейшую информацию смотрите на сайте www.vega.com.

VEGA系列产品在全球享有知识产权保护。

进一步信息请参见网站 < www.vega.com。

4.4 Trademark

All the brands as well as trade and company names used are property of their lawful proprietor/originator.



Printing date:

VEGA

All statements concerning scope of delivery, application, practical use and operating conditions of the sensors and processing systems correspond to the information available at the time of printing.

Subject to change without prior notice

© VEGA Grieshaber KG, Schiltach/Germany 2022



34296-EN-221208

VEGA Grieshaber KG
Am Hohenstein 113
77761 Schiltach
Germany

Phone +49 7836 50-0
E-mail: info.de@vega.com
www.vega.com