

EL 1

Conductive rod electrode



Application area

The rod electrode EL 1 is a universal level switch for conductive liquids. The instrument is ideal as overflow and dry run protection in conjunction with VEGATOR 131 and VEGATOR 132 controllers.

Your benefit

- Simple installation in tight spaces thanks to small sensor dimensions
- Low maintenance costs through robust design
- High flexibility in use through shortenable probe

Function

The instruments are used for level detection in conductive liquids. A VEGATOR 131 or 132 controller is required for operation of the conductive probe. When the probe is immersed, a slight alternating current flows and is detected, evaluated and converted into a switching command by the controller. The switching point is determined via the mounting position or the length of the respective probe.

Technical data

Probe length	up to 4 m (13.12 ft)
Conductance of the medium	min. 7.5 $\mu\text{S/cm}$
Process fitting	Thread G $\frac{1}{2}$
Process pressure	-1 ... +63 bar/-100 ... +6300 kPa (-14.5 ... +914 psig)
Process temperature	-50 ... +130 °C (-58 ... +266 °F)
Ambient, storage and transport temperature	-40 ... +80 °C (-40 ... +176 °F)
Voltage supply	Via the connected controller

Materials

The wetted parts of the instrument are made of stainless steel. The probe insulation is made of PTFE.

You will find a complete overview of the available materials and seals in the "configurator" on our homepage at www.vega.com/configurator.

Housing versions

The housing is made of stainless steel. The housing cover of plastic (PBT).

It is available with protection rating up to IP66/IP67.

Electronics versions

The probe is operated with external processing. The connected controller powers the probe and provides a switching signal.

Approvals

Worldwide approvals are available for VEGA instruments, e.g. for use in hazardous areas, on ships or in hygienic applications.

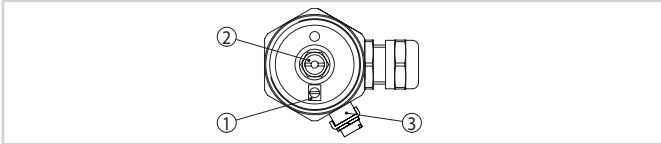
The technical data in the respective safety instructions are valid for approved instruments (e.g. with Ex approval). In some cases, these data can differ from the data listed herein.

You can find detailed information on the existing approvals with the appropriate product on our homepage.

Adjustment

You can find the setup procedure for EL 1 in the operating instructions manual of the corresponding controller.

Electrical connection

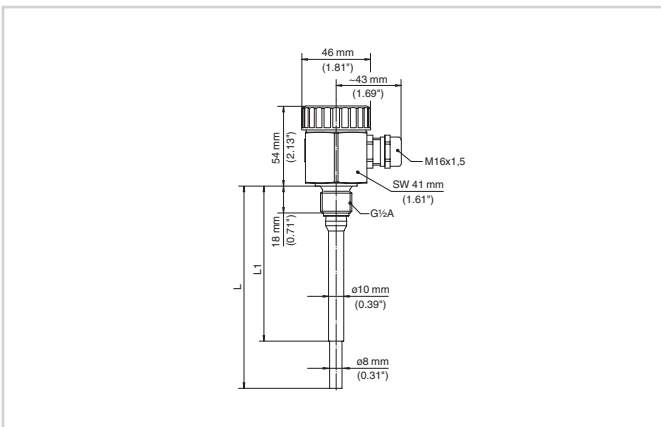


Connection compartment - Conductive probe EL 1

- 1 *Ground*
- 2 *Max. electrode*
- 3 *Outer ground terminal*

You can find details on electrical connection in the instrument operating instructions on our homepage at www.vega.com/downloads.

Dimensions



Conductive probe EL 1

L *Probe length*

Information

You can find further information on the VEGA product line on our homepage.

In the download section of our homepage you'll find operating instructions, product information, industry brochures and approval documents as well as device and adjustment software.

Instrument selection

On our homepage under "*Products*" you can select the suitable measuring principle and instrument for your application.

There you will also find detailed information on the available device versions.

Contact

You can find your personal contact person at VEGA on our homepage under "*Contact*".