

VEGAKON 61

Relay (DPDT)

Conductive point level switch for liquids (front-flush installation)



Application area

The VEGAKON 61 is a conductive point level switch for conductive liquids. The instrument is suitable as full or empty alarm in pipelines.

Your benefit

- Time and cost-saving setup without adjustment with medium
- Optimum cleaning through front-flush installation
- Maintenance-free operation as probe is non-sensitive to buildup

Function

The instruments operate according to the conductive measuring principle and are used in conductive liquids. When immersed, the probe detects the product resistance. A low alternating current is detected by the integrated electronics and converted into an appropriate switching signal. The switching point is determined via the mounting position or the length of the respective probes.

Technical data

Conductance of the medium	min. 7.5 μ S/cm
Process fittings	Thread G1; 1 NPT; conus DN 25
Process pressure	-1 ... +25 bar/-100 ... +2500 kPa (-14.5 ... +362 psig)
Process temperature	-40 ... +150 °C (-40 ... +302 °F)
Ambient, storage and transport temperature	-40 ... +80 °C (-40 ... +176 °F)
Voltage supply	20 ... 253 V AC, 50/60 Hz, 20 ... 72 V DC
Power consumption	1 ... 8 VA (AC), approximately 1.5 W (DC)
Switching voltage	max. 253 V AC/DC
Switching current	max. 3 A AC (cos phi > 0,9), 1 A DC
Breaking capacity	min. 50 mW, max. 750 VA AC, 40 W DC (with U < 40 V DC)

Materials

The wetted parts of the instrument are made of stainless steel. The isolating ring of the probe is made of PTFE.

You will find a complete overview of the available materials and seals in the "configurator" on our homepage at www.vega.com/configurator.

Housing versions

The housing is made of plastic and has protection rating IP66.

Electronics versions

The instruments are available in two different electronics versions. Apart from the electronics with relay output (DPDT), a version with transistor output (PNP) is also available.

Approvals

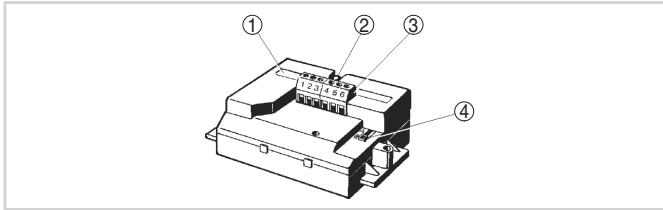
Worldwide approvals are available for VEGA instruments, e.g. for use in hazardous areas, on ships or in hygienic applications.

The technical data in the respective safety instructions are valid for approved instruments (e.g. with Ex approval). In some cases, these data can differ from the data listed herein.

You can find detailed information on the existing approvals with the appropriate product on our homepage.

Adjustment

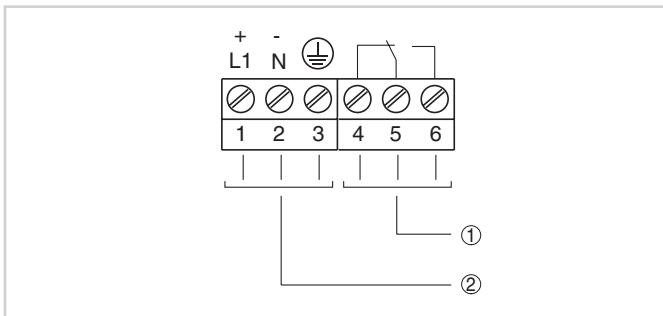
The mode of the level switch can be set on the electronics module. A signal lamp shows the switching status of the instrument.



- 1 Type label
- 2 Control lamp (LED)
- 3 Connection terminals
- 4 Mode switch (A/B)

Electrical connection

Is used to switch external voltage sources to relays, contactors, magnetic valves, horns etc.

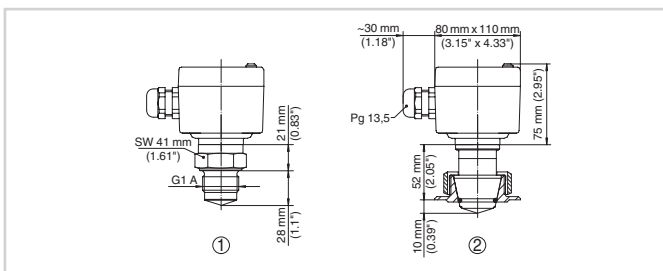


Electronics with relay output

- 1 Relay output
- 2 Voltage supply

You can find details on electrical connection in the instrument operating instructions on our homepage at www.vega.com/downloads.

Dimensions



- 1 Threaded version
- 2 Cone version

Information

You can find further information on the VEGA product line on our homepage.

In the download section of our homepage you'll find operating instructions, product information, industry brochures and approval documents as well as device and adjustment software.

Instrument selection

On our homepage under "Products" you can select the suitable measuring principle and instrument for your application.

There you will also find detailed information on the available device versions.

Contact

You can find your personal contact person at VEGA on our homepage under "Contact".