



Safety instructions

VEGAPULS 68, SR68

Intrinsic safety

PTB 03 ATEX 2089 X

Profibus PA

Foundation Fieldbus

HW \geq 2.0.0 - SW \geq 4.0.0



CE 0044



Document ID: 39577



VEGA

Contents

1	Area of applicability.....	4
2	General information.....	4
3	Important specification in the type code.....	5
4	Technical data	7
5	Application conditions	8
6	Protection against static electricity	9
7	Use of an overvoltage arrester	10
8	Versions with antenna extension	10
9	Grounding.....	10
10	Impact and friction sparks	10
11	Material resistance	10
12	Installation with swivelling holder.....	10
13	Versions with rinsing connection.....	10
14	Mounting with external display unit VEGADIS 61/81.....	10
15	Removing and replacing the red threaded/dust cover	11

Supplementary documentation:

- Operating Instructions VEGAPULS 68, SR68
- EU-type approval certificate PTB 03 ATEX 2089 X, Issue 01 (Document ID: 37990)
- EU declaration of conformity (Document ID: 43634)

Editing status: 2018-03-20

DE	Sicherheitshinweise für den Einsatz in explosionsgefährdeten Bereichen
EN	Safety instructions for the use in hazardous areas
FR	Consignes de sécurité pour une application en atmosphères explosibles
IT	Normative di sicurezza per l'impiego in luoghi con pericolo di esplosione
ES	Instrucciones de seguridad para el empleo en áreas con riesgo de explosión
PT	Normas de segurança para utilização em zonas sujeitas a explosão
NL	Veiligheidsaanwijzingen voor gebruik op plaatsen waar ontploffingsgevaar kan heersen
SV	Säkerhetsanvisningar för användning i explosionsfarliga områden
DA	Sikkerhedsforskrifter til anvendelse i explosionsfarlig atmosfære
FI	Turvallisuusohjeet räjähdysvaarallisissa tiloissa käyttöä varten
EL	Υποδείξεις ασφαλείας για τη χρησιμοποίηση σε περιοχές που υπάρχει κίνδυνος έκρηξης

DE	Die vorliegenden Sicherheitshinweise sind im Download unter www.vega.com standardmäßig in den Sprachen deutsch, englisch, französisch und spanisch verfügbar. Weitere EU-Landessprachen stellt VEGA nach Anforderungen zur Verfügung.
EN	These safety instructions are available as a standard feature in the download area under www.vega.com in the languages German, English, French and Spanish. Further EU languages will be made available by VEGA upon request.
FR	Les présentes consignes de sécurité sont disponibles au téléchargement sous www.vega.com en standard en allemand, en anglais, en français et en espagnol. VEGA met à disposition d'autres langues de l'Union Européenne selon les exigences.
ES	Las indicaciones de seguridad presentes están disponibles en la zona de descarga de www.vega.com de forma estándar en los idiomas inglés, francés y español. VEGA pone a disposición otros idiomas de la UE cuando son requeridos.

1 Area of applicability

These safety instructions apply to the radar sensor VEGAPULS 68 series VEGAPULS PS68/PSSR68(*).C****P/F**** according to EU type approval certificate PTB 03 ATEX 2089 X, Issue 01 (certificate number on the type label) and the number of the safety instruction (39577) on the type label.

The electronics module PS60PAS is integrated in the VEGAPULS PS68/PSSR68(*).C****P****.

The electronics module PS60FFS is integrated in the VEGAPULS PS68/PSSR68(*).C****F****.

2 General information

The level measuring instrument VEGAPULS PS68/PSSR68(*).C****P/F**** is based on radar technology and is used to detect the distance between product surface and sensor by means of high frequency electromagnetic waves in the GHz range. The electronics uses the running time of the signals reflected by the product surface to calculate the distance to the product surface.

The VEGAPULS PS68/PSSR68(*).C****P/F**** consist of an electronics housing, a process connection element and a sensor (the antenna). As an option the display and adjustment module can also be integrated.

The measured products can also be combustible liquids, gases, mist or vapour.

The VEGAPULS PS68/PSSR68(*).C****P/F**** are suitable for use in hazardous atmospheres of all combustible materials of explosion group IIA, IIB and IIC for applications requiring instruments of category 1G, category 1/2G or category 2G.

If the VEGAPULS PS68/PSSR68(*).C****P/F**** are installed and operated in hazardous areas, the general Ex installation regulations EN 60079-14 as well as these safety instructions must be observed.

The operating instructions as well as the installation regulations or standards that apply for explosion protection of electrical systems must generally be observed.

The installation of explosion-endangered systems must always be carried out by qualified personnel.

Category 1G instruments

The VEGAPULS PS68/PSSR68(*).C****P/F**** are installed in hazardous areas requiring an instrument of category 1G.

Category 1/2G instruments

The electronics housing is installed in hazardous areas requiring instruments of category 2G. The process connection element is installed in the separating wall, which separates areas requiring instruments of category 2G or 1G. The antenna system with the mechanical fixing element is installed in hazardous areas requiring instruments of category 1G.

Category 2G instruments

The VEGAPULS PS68/PSSR68(*).C****P/F**** are installed in hazardous areas requiring an instrument of category 2G.

Ignition protection type:

II 1G, 1/2G, 2G Ex ia IIC T6 Ga, Ga/Gb, Gb

3 Important specification in the type code

VEGAPULS PS68(*)/PSSR68(*).abcdefghijkl

Position		Feature	Description
ab	Approval	CX	ATEX II 1G, 1/2G, 2G Ex ia IIC T6
		CM	ATEX II 1G, 1/2G, 2G Ex ia IIC T6 + Ship approval
		CK	ATEX II 1G, 1/2G, 2G Ex ia IIC + II 1D, 1/2D, 2D Ex t IIIC
c	Version / Material	*	Horn antennas, standpipe, parabolic antenna; One-digit alphanumeric variable for metal antenna, standpipe with different metal materials and diameters
de	Process fitting / Material	**	Threaded connection, flanges, swivelling holder; two-digit alphanumeric code for metallic process fittings, industrial flanges according to ASME, BS, DIN, EN, GOST, HG/T, JIS and for other international, national or industrial standards, guidelines or standards with suitable pressure and temperature specifications
f	Seal / Process temperature	2	FKM (SHS FPM 70C3 GLT) and PTFE / -40 ... +130 °C
		Z	FKM (SHS FPM 70C3 GLT) and PTFE / -40 ... +100 °C
		3	FFKM (Kalrez 6375) and PTFE / -20 ... +130 °C
		4	FKM (SHS FPM 70C3 GLT) and PTFE / -40 ... +200 °C
		5	FFKM (Kalrez 6375) and PTFE / -20 ... +200 °C
		7	FFKM (Kalrez 6230) and PTFE (FDA) / -15 ... +130 °C
		9	FFKM (Kalrez 6230) and PTFE / -15 ... +200 °C
		A	FKM (SHS FPM 70C3 GLT) and PEEK / -40 ... +200 °C
		E	FFKM (Kalrez 6230) and PEEK / -15 ... +250 °C
		F	FFKM (Kalrez 6375) and PEEK / -20 ... +250 °C
g	Electronics	H	Ceramic graphite / -196 ... +450 °C
		P	Two-wire Profibus PA
		F	Two-wire Foundation Fieldbus

Position		Feature	Description
h	Housing / Protection	K	Plastic single chamber / IP 66/IP 67
		A	Aluminium single chamber / IP 66/IP 68 (0.2 bar)
		H	Special colour Aluminium single chamber / IP 66/IP 68 (0.2 bar)
		3	Aluminium single chamber / IP 66/IP 68 (1 bar)
		D	Aluminium double chamber / IP 66/IP 68 (0.2 bar)
		S	Special colour Aluminium double chamber / IP 66/IP 68 (0.2 bar)
		Y	Aluminium double chamber / IP 66/IP 67 with M12 x 1 for VEGADIS 61/81
		V	Stainless steel single chamber (precision casting) / IP 66/IP 68 (0.2 bar)
		5	Stainless steel single chamber (precision casting) / IP 66/IP 68 (1 bar)
		8	Stainless steel single chamber (electropolished) / IP 66/IP 68 (0.2 bar)
		W	Stainless steel double chamber / IP 66/IP 68 (0.2 bar)
		Q	Stainless steel double chamber / IP 66/IP 67 with M12 x 1 for VEGADIS 61/81
		R	Plastic double chamber / IP 66/IP 67
		X	Plastic double chamber / IP 66/IP 67 with M12 x 1 for VEGADIS 61/81
i	Cable entry / Cable gland, Plug connection	M	M20 x 1.5 / without
		N	½ NPT / without
		*	One-digit alphanumerical code for further suitable fittings, cable entries and closing screws.
j	Display and adjustment module PLICSCOM	X	without
		A	mounted
		F	without; lid with inspection window
		B	Laterally mounted
		K	mounted; with Bluetooth, magnetic pen operation
		L	laterally mounted; with Bluetooth, magnetic pen operation
		U	mounted; with Bluetooth (US version), magnetic pen operation
		S	laterally mounted; with Bluetooth (US version), magnetic pen operation
k	Additional equipment	X	without
		*	with equipment

In the following, all above mentioned versions are called VEGAPULS PS68/PSSR68(*).C****P/F****. If parts of these safety instructions refer only to certain versions, then these will be mentioned explicitly with their type code.

4 Technical data

Electrical data

Type of protection intrinsic safety Ex i

Power supply and signal circuit: (terminals 1[+], 2[-] in electronics compartment or for the double chamber housing version in termination compartment)

In type of protection intrinsic safety Ex ia IIC
For connection to a certified, intrinsically safe circuit.

Maximum values:

- $U_i = 17.5 \text{ V}$
- $I_i = 500 \text{ mA}$
- $P_i = 5.5 \text{ W}$

C_i negligibly small.

$L_i \leq 10 \mu\text{H}$.

The instrument is suitable for connection to a Fieldbus system according to the FISCO model, e.g. Profibus PA or Foundation Fieldbus.

or

- $U_i = 24 \text{ V}$
- $I_i = 250 \text{ mA}$
- $P_i = 1.2 \text{ W}$

C_i negligibly small.

$L_i \leq 10 \mu\text{H}$.

In the version with fix mounted connection cable, $L_i = L_{i \text{ cable}}^i (0,55 \mu\text{H/m}) + 10 \mu\text{H}$, $C_i = C_{i \text{ wire/wire}}^i (159 \text{ pF/m}) + C_{i \text{ wire/screen}}^i (270 \text{ pF/m})$ must be taken into account.

Indicating and adjustment circuit: (terminals 5, 6, 7, 8 in electronics compartment or plug connection; with double chamber housing version in the connection compartment)

In type of protection intrinsic safety Ex ia IIC

For connection to the intrinsically safe circuit of the associated external indicating unit VEGADIS 61/81 (PTB 02 ATEX 2136 X).

The rules for the interconnection of intrinsically safe circuits between VEGAPULS PS68/PSSR68(*).C*****P/F**** and the external indicating unit VEGADIS 61/81 are fulfilled, provided that the total inductance and total capacitance of the connection cable between VEGAPULS PS68/PSSR68(*).C*****P/F**** and the external indicating unit VEGADIS 61/81 $L_{\text{cable}} = 310 \mu\text{H}$ and $C_{\text{cable}} = 2 \mu\text{F}$ are not exceeded.

When using the delivered VEGA connection cable between VEGAPULS PS68/PSSR68(*).C*****P/F**** and the external indicating unit VEGADIS 61/81, the following listed cable inductances L_i and cable capacitances C_i must be taken into account with a cable length $\geq 50 \text{ m}$.

- $L_i^i = 0.62 \mu\text{H/m}$
- $C_{i \text{ wire/wire}}^i = 132 \text{ pF/m}$
- $C_{i \text{ wire/screen}}^i = 208 \text{ pF/m}$
- $C_{i \text{ screen/screen}}^i = 192 \text{ pF/m}$

Circuit of the display and adjustment module: (spring contacts in the electronics compartment; with double chamber housing version also in the connection compartment)

In type of protection intrinsic safety Ex ia IIC
Only for connection to the display and adjustment module PLICSCOM or VEGACONNECT (PTB 07 ATEX 2013 X).

With the double chamber housing version, the display and adjustment module may be mounted either in the electronics compartment or in the termination compartment.

For applications requiring instruments of category 2G, the intrinsically safe power supply and signal circuit can correspond to protection class ia or ib. For connection to a circuit with protection class ib, the ignition protection type identification is Ex ib IIC T6.

For applications requiring instruments of category 1G or 1/2G, the intrinsically safe power supply and signal circuit must correspond to protection class ia.

For applications requiring instruments of category 1G or 1/2G the VEGAPULS PS68/PSSR68(*).C****P/F**** is preferably connected to appropriate equipment with galvanically isolated, intrinsically safe circuits.

The metal parts of the level measuring instruments on radar basis type VEGAPULS PS6* are electrically connected to the earth terminals.

In the versions of the radar sensors VEGAPULS PS68/PSSR68(*).C****P/F**** the intrinsically safe circuits are electrically isolated from elements that may be earthed.

5 Application conditions

The max. permissible ambient temperatures depending on the temperature classes are specified in the following tables.

For assessment and reduction of the explosion risk, valid standards such as for example EN 1127-1 must be taken into account.

Category 1G instruments

Temperature class	Temperature on the antenna	Ambient temperature on the electronics
T5	-20 ... +42 °C	-20 ... +42 °C
T4, T3, T2, T1	-20 ... +60 °C	-20 ... +60 °C

For applications requiring instruments of category 1G the process pressure of the media must be between 0.8 ... 1.1 bar. The application conditions when operating in the absence of explosive mixtures can be found in the manufacturer information.

Category 1/2G instruments

Temperature class	Temperature on the antenna	Ambient temperature on the electronics
T6	-20 ... +60 °C	-40 ... +46 °C
T5	-20 ... +60 °C	-40 ... +61 °C
T4, T3, T2, T1	-20 ... +60 °C	-40 ... +80 °C

For applications requiring instruments of category 1G the process pressure of the media must be between 0.8 ... 1.1 bar. If the VEGAPULS PS68/PSSR68(*).C****P/F**** are operated at temperatures higher than those specified in the above table, please make sure by means of appropriate

measures that there is no danger of ignition from the hot surfaces. The max. permissible temperature on the electronics/housing should not exceed the values according to the above table.

Please make sure that the sensor also in case of failure does not generate heat itself. Responsibility for safe operation of the equipment, with respect to pressures/temperatures of the materials used, rests with the operator.

The prerequisites for operation in the absence of explosive mixtures can be found in the manufacturer specifications.

Category 2G instruments

Temperature class	Temperature on the antenna		Ambient temperature on the electronics
	VEGAPULS PS68	VEGAPULS PSSR68	
T6	-60 ... +80 °C		-40 ... +46 °C
T5	-60 ... +95 °C		-40 ... +61 °C
T4	-60 ... +130 °C		-40 ... +80 °C
T3	-60 ... +195 °C		-40 ... +80 °C
T2	-60 ... +290 °C	-60 ... +250 °C	-40 ... +80 °C
T1	-60 ... +440 °C	-60 ... +250 °C	-40 ... +80 °C

If the VEGAPULS PS68/PSSR68(*).C****P/F**** are operated at higher temperatures than those specified in the above table, please make sure by means of appropriate measures that there is no danger of ignition from hot surfaces. The max. permissible temperature on the electronics/housing must not exceed the values specified in the above table.

Please make sure that the sensor also in case of failure does not generate heat itself. Responsibility for safe operation of the equipment, with respect to pressures/temperatures of the materials used, rests with the operator.

The prerequisites for operation in the absence of explosive mixtures can be found in the manufacturer specifications.

6 Protection against static electricity

The VEGAPULS PS68/PSSR68(*).C****P/F**** in versions with electrostatically chargeable plastic parts, such as e.g. plastic housing, metal housing with inspection window or plastic antenna, have a caution label pointing out the safety measures that must be taken with regard to electrostatic charges during operation.

WARNING- POTENTIAL ELECTROSTATIC CHARGING HAZARD - SEE INSTRUCTIONS

Caution: Plastic parts! Danger of electrostatic charging!

- Avoid friction
- No dry cleaning
- Construction/Installation: The VEGAPULS PS68/PSSR68(*).C****P/F**** must be constructed/ installed in such a way that
 - electrostatic charges are ruled out during operation, maintenance and cleaning.
 - process-related electrostatic charges, e.g. by measuring media flowing past, are ruled out

7 Use of an overvoltage arrester

If necessary, a suitable overvoltage arrester can be connected in front of the VEGAPULS PS68/PSSR68(*).C****P/F****.

When used as category 1G or 1/2G instrument, a suitable overvoltage arrester must be connected in between as protection against overvoltages, as far as required according to EN 60079-14.

8 Versions with antenna extension

The VEGAPULS PS68/PSSR68(*).C****P/F**** with antenna extension have to be mounted so that the extension is effectively secured against bending or oscillating as well as contact of the sensor to the vessel wall, under consideration of the vessel installations and flow conditions in the vessel.

9 Grounding

In order to avoid the danger of electrostatic charging of the metallic parts, the VEGAPULS PS68/PSSR68(*).C****P/F**** must be electrostatically connected to the local potential equalisation (transfer resistance $\leq 1 \text{ M}\Omega$), e.g. via the ground terminal, when used as category 1G or 1/2G instruments.

10 Impact and friction sparks

When used as category 1G instruments, the VEGAPULS PS68/PSSR68(*).C****P/F**** in aluminium/titanium versions must be mounted in such a way that sparks from impact and friction (between aluminium/titanium and steel (except stainless steel, if the presence of rust particles can be excluded) cannot occur.

11 Material resistance

For applications requiring instruments of category 1G or category 1/2G the VEGAPULS PS68/PSSR68(*).C****P/F**** must only be used in products against which the wetted materials are sufficiently resistant.

12 Installation with swivelling holder

VEGAPULS PS68/PSSR68(*).C****P/F**** as category 1/2G instrument in the version with swivelling holder must be installed in such a way that, after the antenna has been aligned (by means of the swivelling holder) and the mounting flange screwed on, protection rating IP 67 is maintained.

13 Versions with rinsing connection

For VEGAPULS PS68/PSSR68(*).C****P/F**** as category 1/2G instrument in the version with rinsing connection make sure the protection rating IP 67 is ensured on the connection to the reflux valve.

After removal of the reflux valve or the rinsing air connection on the reflux valve, the opening has to be closed with an appropriate closing screw, so that protection class IP 67 is maintained. Please make sure that during rinsing processes in the antennas, i.e. when the sensor is cleaned, no hazardous atmosphere is present.

14 Mounting with external display unit VEGADIS 61/81

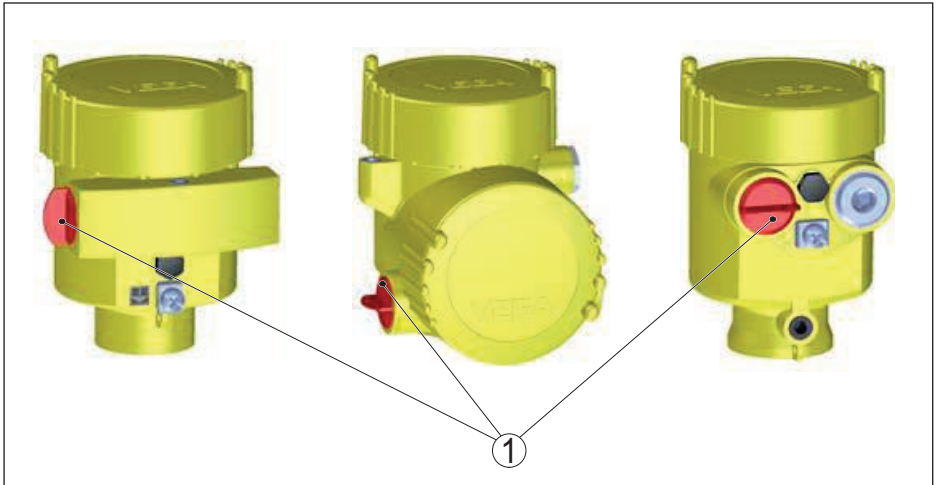
The intrinsically safe signal circuit between VEGAPULS PS68/PSSR68(*).C****P/F**** and the external indicating unit VEGADIS 61/81 should be set up without grounding. The required insulation voltage is $> 500 \text{ V AC}$. When using the VEGA connection cable included with the delivery, this requirement is fulfilled. If grounding of the cable screen is required, it must be carried out according to EN 60079-14.

15 Removing and replacing the red threaded/dust cover

When the VEGAPULS PS68/PSSR68(*).C****P/F**** are delivered, depending on the version, the red threaded or dust protection caps must be removed before installing the device and the openings must be sealed according to the requirements of the type of protection and the IP protection type specified on the type label.

When using certified i.e. suitable cable glands, sealing plugs or plug connectors, they must be mounted correctly and the respective certificates/documents must be observed.

The sealing plugs included in the delivery by VEGA meet the necessary requirements.



1 Red threaded or dust protection cap

Printing date:

VEGA

All statements concerning scope of delivery, application, practical use and operating conditions of the sensors and processing systems correspond to the information available at the time of printing.

Subject to change without prior notice

© VEGA Grieshaber KG, Schiltach/Germany 2018



39577-EN-181029

VEGA Grieshaber KG
Am Hohenstein 113
77761 Schiltach
Germany

Phone +49 7836 50-0
Fax +49 7836 50-201
E-mail: info.de@vega.com
www.vega.com