



Safety instructions

VEGAPULS 68, SR68

Intrinsic safety and flameproof enclosures

PTB 03 ATEX 2163 X

Two-wire 4 ... 20 mA/HART

Four-wire 4 ... 20 mA/HART

Profibus PA

Foundation Fieldbus

HW \geq 2.0.0 - SW \geq 4.0.0



CE 0044



Document ID: 40481



VEGA

Contents

1	Area of applicability.....	4
2	General information.....	4
3	Important specification in the type code.....	4
4	Technical data	6
5	Application conditions	8
6	Protection against static electricity	10
7	Grounding.....	10
8	Impact and friction sparks	10
9	Material resistance	10
10	Mounting with external display unit VEGADIS 61/81.....	10
11	Type of protection flameproof enclosure Ex "db"	11
12	Important information for mounting	12
13	Type and size of the threads of the "Ex-db" cable entries	12
14	Removing and replacing the red threaded/dust cover	13
15	Versions with antenna extension	13
16	Versions with rinsing connection.....	13
17	Installation with swivelling holder.....	14
18	Versions with ball valve.....	14

Supplementary documentation:

- Operating Instructions VEGAPULS 68, SR68
- EU-type approval certificate PTB 03 ATEX 2163 X (Document ID: 35321)
- EU declaration of conformity (Document ID: 43634)

Editing status: 2020-11-23

DE	Sicherheitshinweise für den Einsatz in explosionsgefährdeten Bereichen
EN	Safety instructions for the use in hazardous areas
FR	Consignes de sécurité pour une application en atmosphères explosibles
IT	Normative di sicurezza per l'impiego in luoghi con pericolo di esplosione
ES	Instrucciones de seguridad para el empleo en áreas con riesgo de explosión
PT	Normas de segurança para utilização em zonas sujeitas a explosão
NL	Veiligheidsaanwijzingen voor gebruik op plaatsen waar ontploffingsgevaar kan heersen
SV	Säkerhetsanvisningar för användning i explosionsfarliga områden
DA	Sikkerhedsforskrifter til anvendelse i explosionsfarlig atmosfære
FI	Turvallisuusohjeet räjähdysvaarallisissa tiloissa käyttöä varten
EL	Υποδείξεις ασφαλείας για τη χρησιμοποίηση σε περιοχές που υπάρχει κίνδυνος έκρηξης

DE	Die vorliegenden Sicherheitshinweise sind im Download unter www.vega.com standardmäßig in den Sprachen deutsch, englisch, französisch und spanisch verfügbar. Weitere EU-Landessprachen stellt VEGA nach Anforderungen zur Verfügung.
EN	These safety instructions are available as a standard feature in the download area under www.vega.com in the languages German, English, French and Spanish. Further EU languages will be made available by VEGA upon request.
FR	Les présentes consignes de sécurité sont disponibles au téléchargement sous www.vega.com en standard en allemand, en anglais, en français et en espagnol. VEGA met à disposition d'autres langues de l'Union Européenne selon les exigences.
ES	Las indicaciones de seguridad presentes están disponibles en la zona de descarga de www.vega.com de forma estándar en los idiomas inglés, francés y español. VEGA pone a disposición otros idiomas de la UE cuando son requeridos.

1 Area of applicability

These safety instructions apply to the radar sensor VEGAPULS PS68/PSSR68.D****H/P/F/B/I**** according to EU type approval certificate PTB 03 ATEX 2163 X (certificate number on the type label) and to all instruments with the number of the safety instruction (40481) on the type label.

2 General information

The level measuring instrument VEGAPULS PS68/PSSR68.D****H/P/F/B/I**** is based on radar technology and is used to detect the distance between medium surface and sensor by means of high frequency electromagnetic waves in the GHz range. The electronics uses the running time of the signals reflected by the medium surface to calculate the distance to the medium surface.

The VEGAPULS PS68/PSSR68.D****H/P/F/B/I**** consist of an electronics housing with an "Ex-db" connection compartment with integrated two-wire or four-wire barrier and an "Ex-i" connection compartment with integrated electronics module, a process connection element and a sensor, the antenna.

The display and adjustment module PLICSCOM can be optionally integrated in the "Ex-i" connection compartment.

The VEGAPULS PS68/PSSR68.D****H/P/F/B/I**** are suitable for use in hazardous atmospheres of all combustible materials of explosion group IIA, IIB and IIC for applications requiring instruments of category 1/2G or category 2G.

If the VEGAPULS PS68/PSSR68.D****H/P/F/B/I**** are installed and operated in hazardous areas, the general Ex installation regulations EN 60079-14 as well as these safety instructions must be observed.

The operating instructions as well as the installation regulations or standards that apply for explosion protection of electrical systems must generally be observed.

The installation of explosion-endangered systems must always be carried out by qualified personnel.

Category 1/2G instruments

The electronics housing is installed in hazardous areas requiring instruments of category 2G. The process connection element is installed in the separating wall, which separates areas requiring instruments of category 2G or 1G. The antenna system with the mechanical fixing element is installed in hazardous areas requiring instruments of category 1G.

Category 2G instruments

The VEGAPULS PS68/PSSR68.D****H/P/F/B/I**** are installed in hazardous areas requiring an instrument of category 2G.

Type of protection marking:

II 1/2G, II 2G Ex db ia IIC T6 ... T1 Ga/Gb, Gb

3 Important specification in the type code

VEGAPULS PS68(*)/PSSR68(*).abcdefghijkl

Position		Feature	Description
ab	Approval	DX	ATEX II 1/2G, 2G Ex db ia IIC T6 ... T1 Ga/Gb, Gb
		DM	ATEX II 1/2G, 2G Ex db ia IIC T6 ... T1 Ga/Gb, Gb + Schiffzulassung
		DK	ATEX II 1/2G, 2G Ex db ia IIC T6 ... T1 Ga/Gb, Gb + II 1D, 1/2D, 2D Ex t IIC T* Da, Da/Db, Db

Position		Feature	Description
c	Version / Material	*	Horn antennas, standpipe, parabolic antenna; One-digit alphanumeric variable for metal antenna, standpipe with different metal materials and diameters
de	Process fitting / Material	**	Threaded connection, flanges, swivelling holder; two-digit alphanumeric code for metallic process fittings, industrial flanges according to ASME, BS, DIN, EN, GOST, HG/T, JIS and for other international, national or industrial standards, guidelines or standards with suitable pressure and temperature specifications
f	Seal / Process temperature	2	FKM (SHS FPM 70C3 GLT) and PTFE / -40 ... +130 °C
		3	FFKM (Kalrez 6375) and PTFE / -20 ... +130 °C
		4	FKM (SHS FPM 70C3 GLT) and PTFE / -40 ... +200 °C
		5	FFKM (Kalrez 6375) and PTFE / -20 ... +200 °C
		H	Ceramic graphite / -196 ... +450 °C
g	Electronics	H	Two-wire 4 ... 20 mA/HART
		B	Four-wire 4 ... 20 mA/HART; 90 ... 253 V AC; 50/60 Hz
		I	Four-wire 4 ... 20 mA/HART; 9.6 ... 48 V DC; 20 ... 42 V AC
		P	Two-wire Profibus PA
		F	Two-wire Foundation Fieldbus
h	Housing / Protection	D	Aluminium double chamber / IP66/IP68 (0.2 bar)
		S	Special colour Aluminium double chamber / IP66/IP68 (0.2 bar)
		W	Stainless steel double chamber / IP66/IP68 (0.2 bar)
i	Cable entry / Cable gland, Plug connection	M	M20 x 1.5 / without
		N	½ NPT / without
		*	One-digit alphanumeric code for further suitable fittings, cable entries and closing screws.
j	Display and adjustment module PLICSCOM	X	without
		A	mounted
		F	without; lid with inspection window
		K	mounted; with Bluetooth, magnetic pen operation
		U	mounted; with Bluetooth, magnetic pen operation, battery
k	Additional equipment	X	without
		*	with equipment

In the following, all above mentioned versions are called VEGAPULS PS68/PSSR68.D*****H/P/F/B/I****. If parts of these safety instructions refer only to certain versions, then these will be mentioned explicitly with their type code.

4 Technical data

Electrical data

Non-intrinsically safe circuits

VEGAPULS PS68/PSSR68.D**B/I**** (electronics 4 ... 20 mA/HART - four-wire)**

Power supply: (terminals 1[+], 2[-] in the "Ex-d" connection compartment)	U = 9,6 ... 48 V DC (I)
	U = 20 ... 42 V AC (I)
	U = 90 ... 250 V AC (B)
	Um = 253 V

Active signal circuit: (terminals 5[+], 7[-] in the "Ex-db" connection compartment) I_{out} = 4 ... 20 mA with superimposed HART signal
Um = 60 V

Passive signal circuit: (terminals 6[+], 7[-] in the "Ex-db" connection compartment) I_{in} = 4 ... 20 mA with superimposed HART signal
Um = 60 V

VEGAPULS PS68/PSSR68.D**H**** (electronics 4 ... 20 mA/HART - two-wire)**

Power supply and signal circuit: (terminals 1[+], 2[-] in the "Ex-db" connection compartment)	U = 14 ... 36 V DC
	Um = 253 V

VEGAPULS PS68/PSSR68.D**P/F**** (electronics Profibus PA, Foundation Fieldbus)**

Power supply and signal circuit: (terminals 1[+], 2[-] in the "Ex-db" connection compartment)	U = 14 ... 32 V DC
	Um = 253 V

Intrinsically safe circuits

The connection of these intrinsically safe circuits is carried out on terminals, which are located in an "Ex-i" connection compartment.

VEGAPULS PS68/PSSR68.D****B/I**** (electronics 4 ... 20 mA/HART - four-wire)

Display and adjustment circuit: (spring contacts in the "Ex i" connection compartment)

Type of protection intrinsic safety Ex ia IIC

Only for connection to the display and adjustment module PLICSCOM or to the VEGA interface converter VEGACONNECT 4 (PTB 07 ATEX 2013 X) or for connection to the intrinsically safe supply and signal circuit of the corresponding external indicating unit VEGADIS 61/81 (PTB 02 ATEX 2136 X) via the VEGADIS-ADAPT.

The rules for the interconnection of intrinsically safe circuits between VEGAPULS PS68/PSSR68.D**** and the external indicating unit VEGADIS 61/81 are fulfilled, provided that the total inductance and total capacitance of the connection cable between VEGAPULS PS68/PSSR68.D**** and the external indicating unit VEGADIS 61/81 $L_{\text{cable}} = 310 \mu\text{H}$ and $C_{\text{cable}} = 2 \mu\text{F}$ are not exceeded.

When using the delivered VEGA connection cable between VEGAPULS PS68/PSSR68.D**** and the external indicating unit VEGADIS 61/81, the following listed cable inductances L_i and cable capacitances C_i must be taken into account with a cable length $\geq 50 \text{ m}$.

- $L_i = 0.62 \mu\text{H/m}$
- $C_{i \text{ wire/wire}} = 132 \text{ pF/m}$
- $C_{i \text{ wire/screen}} = 208 \text{ pF/m}$
- $C_{i \text{ screen/screen}} = 192 \text{ pF/m}$

The intrinsically safe circuits of VEGAPULS PS68/PSSR68.D****B/I**** are earthed and connected to the external and internal earth terminal.

VEGAPULS PS68/PSSR68.D****H/P/F**** (electronics 4 ... 20 mA/HART - two-wire, Profibus PA, Foundation Fieldbus)

Indicating and adjustment circuit: (terminals 5, 6, 7, 8 in "Ex-i" connection compartment)

Type of protection intrinsic safety Ex ia IIC

For connection to the intrinsically safe circuit of the associated external indicating unit VEGADIS 61/81 (PTB 02 ATEX 2136 X).

The rules for the interconnection of intrinsically safe circuits between VEGAPULS PS68/PSSR68.D**** and the external indicating unit VEGADIS 61/81 are fulfilled, provided that the total inductance and total capacitance of the connection cable between VEGAPULS PS68/PSSR68.D**** and the external indicating unit VEGADIS 61/81 $L_{\text{cable}} = 310 \mu\text{H}$ and $C_{\text{cable}} = 2 \mu\text{F}$ are not exceeded.

When using the delivered VEGA connection cable between VEGAPULS PS68/PSSR68.D**** and the external indicating unit VEGADIS 61/81, the following listed cable inductances L_i and cable capacitances C_i must be taken into account with a cable length $\geq 50 \text{ m}$.

- $L_i = 0.62 \mu\text{H/m}$
- $C_{i \text{ wire/wire}} = 132 \text{ pF/m}$
- $C_{i \text{ wire/screen}} = 208 \text{ pF/m}$
- $C_{i \text{ screen/screen}} = 192 \text{ pF/m}$

Display and adjustment circuit: (spring contacts in the "Ex i" connection compartment)

In type of protection intrinsic safety Ex ia IIC

Only for connection to the intrinsically safe signal circuit of a VEGA interface converter VEGACONNECT 4 (PTB 07 ATEX 2013 X) or the display and adjustment module PLICSCOM.

The intrinsically safe circuits of VEGAPULS PS68/PSSR68.D****H/P/F**** are potential free and reliably galvanically separated from the non-intrinsically safe circuit up to a peak value of the voltage of 375 V.

The metallic parts of VEGAPULS PS68/PSSR68.D**** are electrically connected with the earth terminals.

5 Application conditions

The max. permissible ambient temperatures depending on the temperature classes are specified in the following tables.

VEGAPULS PS68/PSSR68.D**H/B/I**** (electronics 4 ... 20 mA/HART - two-wire, 4 ... 20 mA/HART - four-wire)**

Category 1/2G instruments

Temperature class	Temperature on the sensor	Ambient temperature on the electronics
T6	-20 ... +60 °C	-40 ... +46 °C
T5, T4, T3, T2, T1	-20 ... +60 °C	-40 ... +60 °C

For applications requiring instruments of category 1/2G the process pressure of the media must be between 0.8 ... 1.1 bar. If the sensors VEGAPULS PS68/PSSR68.D****H/B/I**** are operated at temperatures higher than those specified in the above table, please make sure by means of appropriate measures that there is no danger of ignition from the hot surfaces. The max. permissible temperature on the electronics/housing should not exceed the values according to the above table.

Please make sure that the sensor also in case of failure does not generate heat itself. Responsibility for safe operation of the equipment, with respect to pressures/temperatures of the materials used, rests with the operator.

The prerequisites for operation in the absence of explosive mixtures can be found in the manufacturer specifications.

Category 2G instruments

Temperature class	Temperature on the sensor		Ambient temperature on the electronics
	VEGAPULS PS68	VEGAPULS PSSR68	
T6	-60 ... +80 °C		-40 ... +46 °C
T5	-60 ... +95 °C		-40 ... +60 °C
T4	-60 ... +130 °C		-40 ... +60 °C
T3	-60 ... +195 °C		-40 ... +60 °C
T2	-60 ... +290 °C	-60 ... +250 °C	-40 ... +60 °C
T1	-60 ... +440 °C	-60 ... +250 °C	-40 ... +60 °C

If the sensors of VEGAPULS PS68/PSSR68.D****H/B/I**** are operated at higher temperatures

than those specified in the above table, please make sure by means of appropriate measures that there is no danger of ignition from hot surfaces. The permissible temperature on the electronics/housing must not exceed the values specified in the above table.

Please make sure that the sensor also in case of failure does not generate heat itself. Responsibility for safe operation of the equipment, with respect to pressures/temperatures of the materials used, rests with the operator.

The prerequisites for operation in the absence of explosive mixtures can be found in the manufacturer specifications.

VEGAPULS PS68/PSSR68.D****P/F**** (electronics Profibus PA, Foundation Fieldbus)

Category 1/2G instruments

Temperature class	Temperature on the sensor	Ambient temperature on the electronics
T6	-20 ... +60 °C	-40 ... +46 °C
T5, T4, T3, T2, T1	-20 ... +60 °C	-40 ... +60 °C

For applications requiring instruments of category 1/2G the process pressure of the media must be between 0.8 ... 1.1 bar. If the sensors VEGAPULS PS68/PSSR68.D****P/F**** are operated at temperatures higher than those specified in the above table, please make sure by means of appropriate measures that there is no danger of ignition from the hot surfaces. The max. permissible temperature on the electronics/housing should not exceed the values according to the above table.

Please make sure that the sensor also in case of failure does not generate heat itself. Responsibility for safe operation of the equipment, with respect to pressures/temperatures of the materials used, rests with the operator.

The prerequisites for operation in the absence of explosive mixtures can be found in the manufacturer specifications.

Category 2G instruments

Temperature class	Temperature on the sensor		Ambient temperature on the electronics
	VEGAPULS PS68	VEGAPULS PSSR68	
T6	-60 ... +80 °C		-40 ... +46 °C
T5	-60 ... +95 °C		-40 ... +60 °C
T4	-60 ... +130 °C		-40 ... +60 °C
T3	-60 ... +195 °C		-40 ... +60 °C
T2	-60 ... +290 °C	-60 ... +250 °C	-40 ... +60 °C
T1	-60 ... +440 °C	-60 ... +250 °C	-40 ... +60 °C

If the sensors of VEGAPULS PS68/PSSR68.D****P/F**** are operated at higher temperatures than those specified in the above table, please make sure by means of appropriate measures that there is no danger of ignition from hot surfaces. The permissible temperature on the electronics/housing must not exceed the values specified in the above table.

Please make sure that the sensor also in case of failure does not generate heat itself. Responsibility for safe operation of the equipment, with respect to pressures/temperatures of the materials used, rests with the operator.

The prerequisites for operation in the absence of explosive mixtures can be found in the manufacturer specifications.

6 Protection against static electricity

The VEGAPULS PS68/PSSR68.D****H/P/F/B/I**** in versions with electrostatically chargeable plastic parts, lacquered housing, metal housing with inspection window or plastic antenna, have a caution label pointing out the safety measures that must be taken with regard to electrostatic charges during operation.

WARNING - POTENTIAL ELECTROSTATIC
CHARGING HAZARD - SEE INSTRUCTIONS

Caution: Plastic parts! Danger of electrostatic charging!

- Avoid friction
- No dry cleaning
- Construction/Installation: The VEGAPULS PS68/PSSR68.D****H/P/F/B/I**** must be constructed/installed in such a way that
 - electrostatic charges are ruled out during operation, maintenance and cleaning.
 - process-related electrostatic charges, e.g. by measuring media flowing past, are ruled out

7 Grounding

To avoid danger of electrostatic charge of the metal parts, the VEGAPULS PS68/PSSR68.D****H/P/F/B/I**** must be generally connected to the local potential equalization, e.g. via the earth terminal.

The pressure-resistant connection compartment of VEGAPULS PS68/PSSR68.D****B/I**** includes also a safety barrier without galvanic separation. For safety reasons, the intrinsically safe circuit must be earthed. The external or internal ground connection terminal on the housing serves for this purpose.

The pressure-resistant connection compartment of VEGAPULS PS68/PSSR68.D****H/P/F**** includes also a safety barrier without galvanic separation. The intrinsically safe circuit should be set up ungrounded. The necessary isolating voltage is ≥ 375 V AC. When using the supplied VEGA connection cable, this requirement is fulfilled.

8 Impact and friction sparks

The VEGAPULS PS68/PSSR68.D****H/P/F/B/I**** in aluminium version must be mounted in such a way that sparks from impact and friction between aluminium and steel (except stainless steel, if the presence of rust particles can be excluded) cannot occur.

The VEGAPULS PS68/PSSR68.D****H/P/F/B/I**** in the titanium versions must be mounted in such a way that sparks from impact and friction between titanium and any other hard material cannot occur.

9 Material resistance

With applications requiring instruments of category 1/2G the VEGAPULS PS68/PSSR68.D****H/P/F/B/I**** should only be used in media against which the wetted materials are sufficiently resistant.

10 Mounting with external display unit VEGADIS 61/81

The intrinsically safe signal circuit between VEGAPULS PS68/PSSR68.D****H/P/F/B/I**** and the external indicating unit VEGADIS 61/81 should be set up without grounding. The required insulation voltage is > 500 V AC. When using the VEGA connection cable included with the delivery, this requirement is fulfilled. If grounding of the cable screen is required, it must be carried out according to EN 60079-14.

11 Type of protection flameproof enclosure Ex "db"

The terminals for connecting the operating voltage or signal circuits are integrated in the connection compartment with type of protection flameproof enclosure "db".

The thread gaps between housing and cover as well as between threaded fitting and container are flameproof joints.

The "Ex-db" connection compartment is provided with a M20 x 1.5 or 1/2-14 NPT thread for connection to a certified "Conduit" system or for mounting a "Ex-db" cable entry certified according to EN 60079-1. Cable entries of simple construction may not be used. Please take note of section 13.1 and 13.2 of EN 60079-1. When connecting to a "Conduit" system, the associated sealing facility must be located directly on the "Ex-db" connection compartment.

A certified "Ex-d" cable gland can optionally be supplied with the delivery. It is suitable for insertion of armoured or unarmoured cables depending on the ordered version. The instructions in the document accompanying the respective cable entry must be observed. The "Ex-db" cable entry must be screwed tightly into the housing. The supplied cable entry is suitable for the housing temperature range mentioned in the VEGAPULS PS68/PSSR68.D****H/P/F/B/1**** specification. If a different cable entry is used, the separately certified cable entry or the temperature classes on the electronics determines the maximum permissible ambient temperature on the housing.

Before opening the lid of the "Ex-db" terminal compartment or in case it is already open (e. g. during connection or service work), make sure that either the supply cable is completely voltage free or no explosive atmosphere is present.

When wiring the connection line to the "Ex-db" connection compartment, it must be sufficiently secured against damage and in conformity with EN 60079-14.

The connection cables, the cable entries and the plugs or the pipeline sealing facilities must be suitable for the application conditions (e.g. temperature range).

The cover of the "Ex-db" connection compartment must be screwed in completely before commissioning and secured by screwing out the lid locking screw all the way to the stop.

Unused openings must be sealed according to EN 60079-1 paragraph 11.9.

The flame path joints must not be repaired.

Double chamber housing with "Ex-db" connection compartment



- 1 "Ex-i" connection compartment with electronics module
- 2 Locking screw of the lid
- 3 "Ex db" connection compartment with integrated barrier
- 4 Screw plug

The cover of the "Ex-db" connection compartment with the caution label "Do not open when an explosive atmosphere is present" and the cover of the "Ex-i" connection compartment without caution label must not be exchanged. The covers must be mounted on the corresponding connection compartments.

12 Important information for mounting

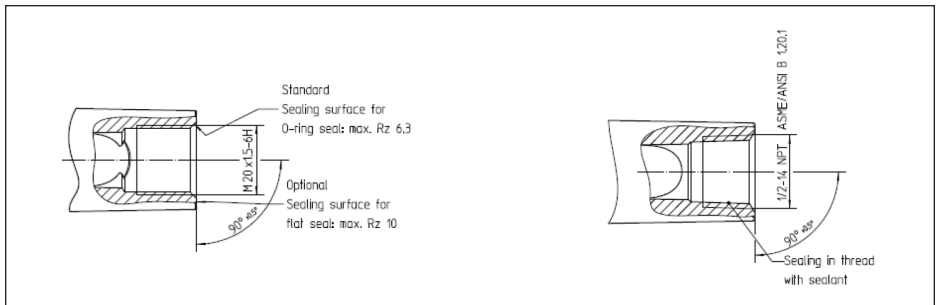
Cable glands, threaded openings

Type	Thread	Cable diameter [mm]	Torques [Nm]
Hummel EXIOS A2F 1.608.2003.50	M20 x 1.5	6 ... 12 mm	8
Hummel EXIOS A2F 1.608.1203.70	½ NPT	6 ... 12 mm	8
Hummel EXIOS MZ 1.6Z5.2000.51	M20 x 1.5	9 ... 13 mm	8
Hummel EXIOS MZ 1.6Z5.1200.70	½ NPT	9 ... 13 mm	8

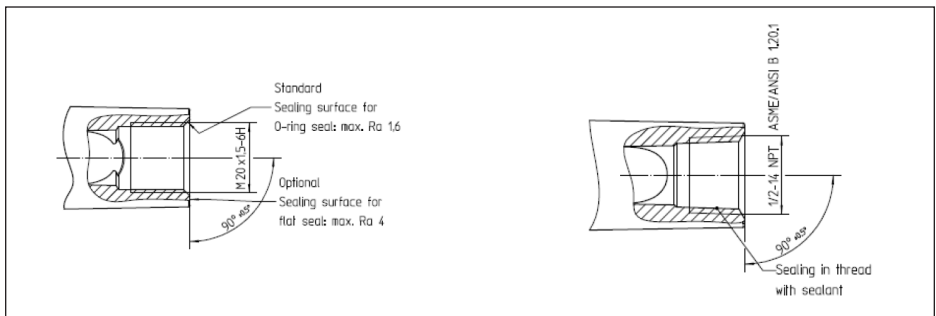
The specified torques are test torques and can only be regarded as reference values. The manufacturer's mounting instructions provided must be observed.

If suitable cable glands or cable insertion possibilities not included in the scope of supply are used, these must be compatible with the threaded openings.

Aluminium housing with M20 x 1.5 thread, ½ NPT thread



Stainless-steel housing (fine cast) with M20 x 1.5 thread, ½ NPT thread



13 Type and size of the threads of the "Ex-db" cable entries

The "Ex-db" connection compartment of the VEGAPULS PS68/PSSR68.D****H/P/F/B/I*M** has

cable entries M20 x 1,5.

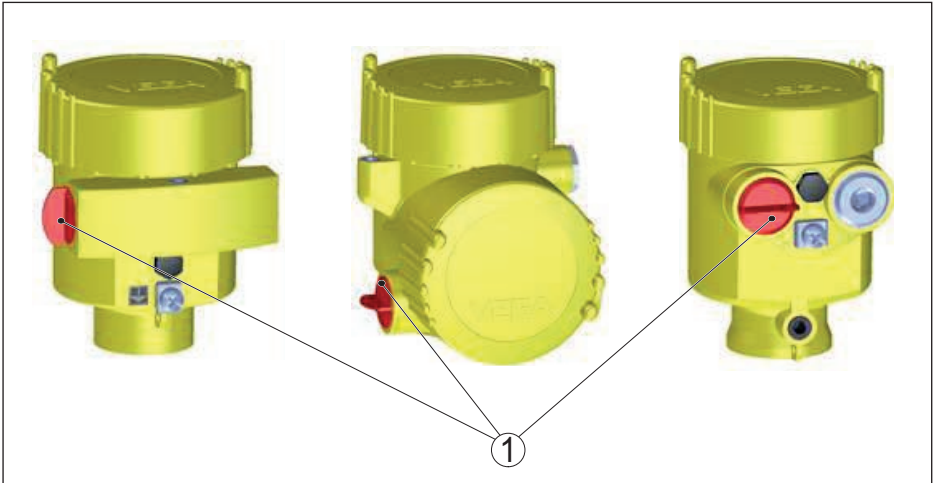
The "Ex-db" connection compartment of the VEGAPULS PS68/PSSR68.D****H/P/F/B/I**** has cable entries ½-14 NPT.

14 Removing and replacing the red threaded/dust cover

When the VEGAPULS PS68/PSSR68.D****H/P/F/B/I**** are delivered, depending on the version, the red threaded or dust protection caps must be removed before installing the device and the openings must be sealed according to the requirements of the type of protection and the IP protection type specified on the type label.

When using certified i.e. suitable cable glands, sealing plugs or plug connectors, they must be mounted correctly and the respective certificates/documents must be observed.

The sealing plugs included in the delivery by VEGA meet the necessary requirements.



1 Red threaded or dust protection cap

15 Versions with antenna extension

The VEGAPULS PS68/PSSR68.D****H/P/F/B/I**** with antenna extension have to be mounted so that the extension is effectively secured against bending or oscillating as well as contact of the sensor to the vessel wall, under consideration of the vessel installations and flow conditions in the vessel.

16 Versions with rinsing connection

For VEGAPULS PS68/PSSR68.D****H/P/F/B/I**** as category 1/2G instrument in the version with rinsing connection make sure the protection rating IP67 is ensured on the connection to the reflux valve.

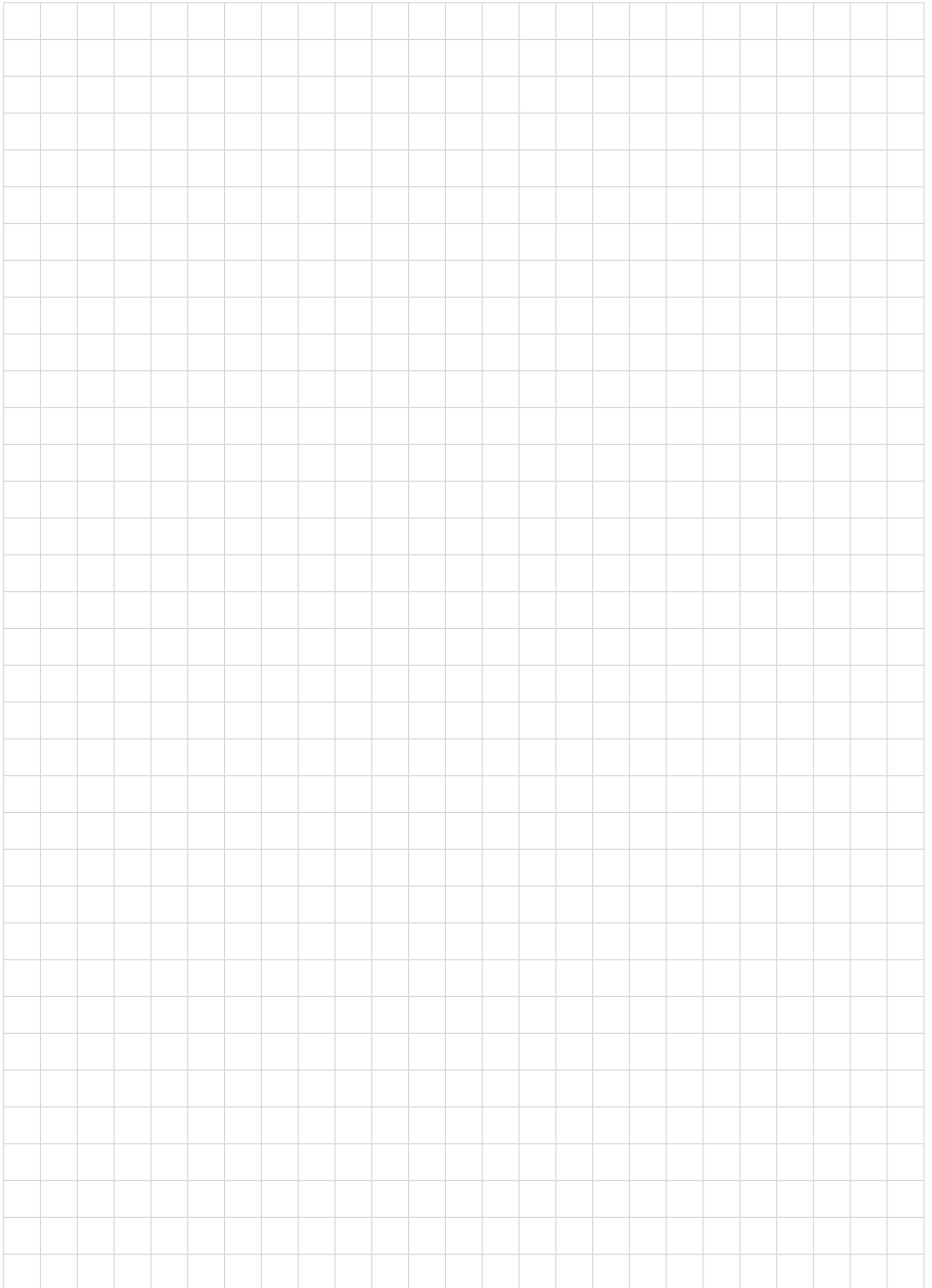
After removal of the reflux valve or the rinsing air connection on the reflux valve, the opening has to be closed with an appropriate closing screw, so that protection class IP67 is maintained. Please make sure that during rinsing processes in the antennas, i.e. when the sensor is cleaned, no hazardous atmosphere is present.

17 Installation with swivelling holder

VEGAPULS PS68/PSSR68.D*****H/P/F/B/I***** as category 1/2G instrument in the version with swivelling holder must be installed in such a way that, after the antenna has been aligned (by means of the swivelling holder) and the mounting flange screwed on, protection rating IP67 is maintained.

18 Versions with ball valve

With the VEGAPULS PS68/PSSR68.D*****H/P/F/B/I***** in the version with ball valve, make sure that the ball valve is closed before separating the flange connection and that the IP rating IP67 is maintained when removing the instrument.



40481-EN-201202

Printing date:

VEGA

All statements concerning scope of delivery, application, practical use and operating conditions of the sensors and processing systems correspond to the information available at the time of printing.

Subject to change without prior notice

© VEGA Grieshaber KG, Schiltach/Germany 2020



40481-EN-201202

VEGA Grieshaber KG
Am Hohenstein 113
77761 Schiltach
Germany

Phone +49 7836 50-0
Fax +49 7836 50-201
E-mail: info.de@vega.com
www.vega.com