

VEGAPULS 63

HART and accumulator pack

Radar sensor for continuous level measurement of liquids



Technical data

Measuring range up to	35 m (114.8 ft)
Deviation	±2 mm
Process fitting	Hygienic fittings, boltings, flanges from DN 50, 2"
Process pressure	-1 ... +16 bar/-100 ... +1600 kPa (-14.5 ... +232 psig)
Process temperature	-196 ... +200 °C (-321 ... +392 °F)
Ambient, storage and transport temperature	-40 ... +60 °C (-40 ... +140 °F)
Accumulator voltage	14.8 V DC
Life time with sensor permanently on and full accumulator	>60 h

Application area

The VEGAPULS 63 is a sensor for continuous level measurement of aggressive liquids or with hygienic requirements. It is suitable for applications in storage tanks, process vessels, dosing vessels and reactors. The encapsulated antenna system of VEGAPULS 63 protects against pollution and ensures a maintenance-free permanent operation. The front-flush mounting ensures you an optimum cleanability even with high hygienic requirements.

Due to the integrated accumulator the instrument is particularly suitable as a portable measuring system or test sensor for special applications.

Your benefit

- Maintenance-free operation thanks to non-contact measuring principle
- High plant availability, because wear and maintenance free
- Exact measuring results independent of process conditions
- Autarkic operation through integrated accumulator

Function

Extremely short microwave pulses are emitted by the antenna system in the direction of the measured product, reflected by the product surface and received back again by the antenna system. The time from emission to reception of the signals is proportional to the level in the vessel. A special time stretching procedure allows reliable and precise measurement of the extremely short signal running times.

Materials

The wetted parts of the instrument are made of PTFE, PFA or PVDF. The process seal is made of FKM or EPDM. You will find a complete overview of the available materials and seals in the "Configurator" at www.vega.com and "VEGA Tools".

Housing versions

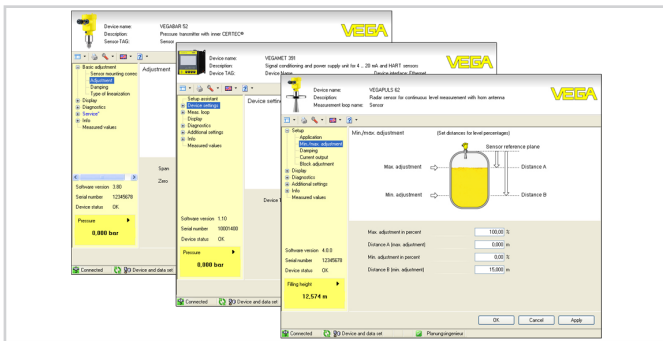
The instrument is available as double chamber version in plastic, stainless steel or aluminium.

Approvals

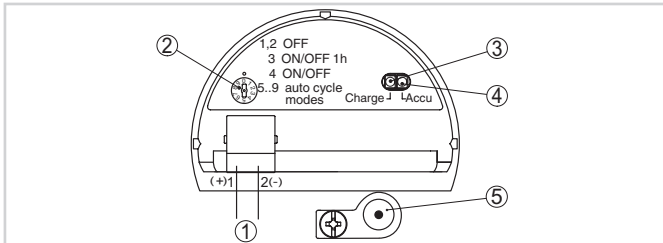
You can find detailed information at www.vega.com/downloads and "Approvals".

Operation

The adjustment of the instrument is carried out via the optional display and adjustment module PLICSCOM or via a PC with the adjustment software PACTware and corresponding DTM.



Voltage supply

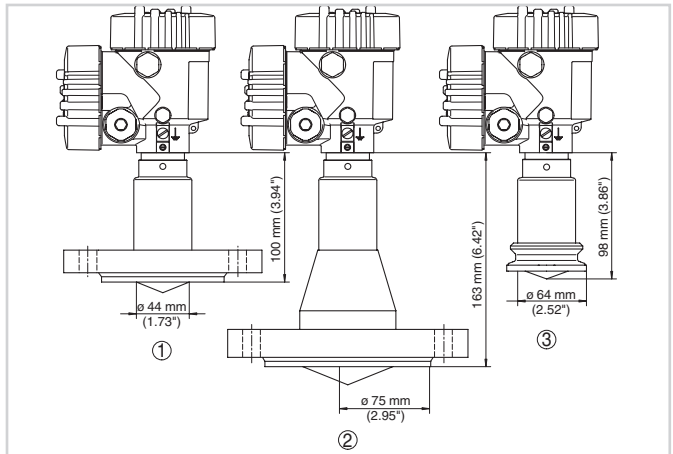


Supply room

- 1 Internal connection of the socket for the battery charger
- 2 Mode switch
- 3 LED green, charging process
- 4 LED yellow, charging status
- 5 Socket for the battery charger

You can find details on electrical connection in the instrument operating instructions at www.vega.com/downloads.

Dimensions



Dimensions VEGAPULS 63

- 1 Flange version DN 50
- 2 Flange version DN 80
- 2 Clamp version 2"

Information

You can find further information about the VEGA product line on www.vega.com.

In the download section at www.vega.com/downloads you'll find operating instructions, product information, brochures, approval documents, instrument drawings and much, much more.

There, you will also find GSD and EDD files for Profibus PA systems as well as DD and CFF files for Foundation Fieldbus systems.

Instrument selection

With the "Finder" at www.vega.com/finder and "VEGA Tools" you can select the most suitable measuring principle for your application. You can find detailed information on the instrument versions in the "Configurator" at www.vega.com/configurator and "VEGA Tools".

Contact

You can find the VEGA agency serving your area on our homepage www.vega.com.