

# Operating Instructions

Submersible pressure transmitter with  
metal measuring cell

## VEGABAR 87

4 ... 20 mA/HART



Document ID: 45044



# VEGA

# Contents

<b>1</b>	<b>About this document</b> .....	<b>4</b>
1.1	Function .....	4
1.2	Target group .....	4
1.3	Symbols used.....	4
<b>2</b>	<b>For your safety</b> .....	<b>5</b>
2.1	Authorised personnel .....	5
2.2	Appropriate use.....	5
2.3	Warning about incorrect use.....	5
2.4	General safety instructions .....	5
2.5	Conformity.....	5
2.6	NAMUR recommendations .....	6
2.7	Installation and operation in the USA and Canada .....	6
2.8	Environmental instructions .....	6
<b>3</b>	<b>Product description</b> .....	<b>7</b>
3.1	Configuration.....	7
3.2	Principle of operation.....	7
3.3	Packaging, transport and storage.....	10
3.4	Accessories.....	10
<b>4</b>	<b>Mounting</b> .....	<b>12</b>
4.1	General instructions .....	12
4.2	Ventilation and pressure compensation.....	14
4.3	Level measurement.....	17
4.4	External housing .....	17
<b>5</b>	<b>Connecting to power supply</b> .....	<b>18</b>
5.1	Preparing the connection .....	18
5.2	Connecting.....	19
5.3	Single chamber housing.....	20
5.4	Double chamber housing .....	21
5.5	Ex d ia double chamber housing .....	23
5.6	Double chamber housing with VEGADIS-Adapter.....	24
5.7	Housing IP66/IP68 (1 bar) .....	25
5.8	External housing .....	25
5.9	Connection example .....	27
5.10	Switch-on phase.....	27
<b>6</b>	<b>Set up with the display and adjustment module</b> .....	<b>28</b>
6.1	Insert display and adjustment module .....	28
6.2	Adjustment system.....	29
6.3	Measured value indication.....	30
6.4	Parameter adjustment - Quick setup .....	31
6.5	Parameter adjustment - Extended adjustment.....	31
6.6	Menu overview .....	42
6.7	Save parameter adjustment data.....	44
<b>7</b>	<b>Setup with PACTware</b> .....	<b>45</b>
7.1	Connect the PC.....	45
7.2	Parameterization .....	45
7.3	Save parameter adjustment data.....	46
<b>8</b>	<b>Set up with other systems</b> .....	<b>47</b>

8.1	DD adjustment programs .....	47
8.2	Field Communicator 375, 475 .....	47
<b>9</b>	<b>Diagnosis, asset management and service .....</b>	<b>48</b>
9.1	Maintenance .....	48
9.2	Diagnosis memory .....	48
9.3	Asset Management function.....	49
9.4	Rectify faults.....	52
9.5	Exchange process module on version IP68 (25 bar) .....	53
9.6	Exchanging the electronics module.....	54
9.7	Software update .....	54
9.8	How to proceed if a repair is necessary.....	54
<b>10</b>	<b>Dismount.....</b>	<b>56</b>
10.1	Dismounting steps.....	56
10.2	Disposal .....	56
<b>11</b>	<b>Supplement .....</b>	<b>57</b>
11.1	Technical data .....	57
11.2	Calculation of the total deviation.....	68
11.3	Practical example.....	68
11.4	Dimensions .....	71
11.5	Industrial property rights.....	79
11.6	Trademark .....	79



**Safety instructions for Ex areas:**

Take note of the Ex specific safety instructions for Ex applications. These instructions are attached as documents to each instrument with Ex approval and are part of the operating instructions.

Editing status: 2023-09-01

# 1 About this document

## 1.1 Function

This instruction provides all the information you need for mounting, connection and setup as well as important instructions for maintenance, fault rectification, safety and the exchange of parts. Please read this information before putting the instrument into operation and keep this manual accessible in the immediate vicinity of the device.

## 1.2 Target group

This operating instructions manual is directed to trained personnel. The contents of this manual must be made available to the qualified personnel and implemented.

## 1.3 Symbols used



### Document ID

This symbol on the front page of this instruction refers to the Document ID. By entering the Document ID on [www.vega.com](http://www.vega.com) you will reach the document download.



**Information, note, tip:** This symbol indicates helpful additional information and tips for successful work.



**Note:** This symbol indicates notes to prevent failures, malfunctions, damage to devices or plants.



**Caution:** Non-observance of the information marked with this symbol may result in personal injury.



**Warning:** Non-observance of the information marked with this symbol may result in serious or fatal personal injury.



**Danger:** Non-observance of the information marked with this symbol results in serious or fatal personal injury.



### Ex applications

This symbol indicates special instructions for Ex applications.



#### List

The dot set in front indicates a list with no implied sequence.



#### Sequence of actions

Numbers set in front indicate successive steps in a procedure.



### Disposal

This symbol indicates special instructions for disposal.

## 2 For your safety

### 2.1 Authorised personnel

All operations described in this documentation must be carried out only by trained and authorized personnel.

During work on and with the device, the required personal protective equipment must always be worn.

### 2.2 Appropriate use

Model VEGABAR 87 is a pressure transmitter for level and gauge measurement.

You can find detailed information about the area of application in chapter " *Product description*".

Operational reliability is ensured only if the instrument is properly used according to the specifications in the operating instructions manual as well as possible supplementary instructions.

### 2.3 Warning about incorrect use

Inappropriate or incorrect use of this product can give rise to application-specific hazards, e.g. vessel overfill through incorrect mounting or adjustment. Damage to property and persons or environmental contamination can result. Also, the protective characteristics of the instrument can be impaired.

### 2.4 General safety instructions

This is a state-of-the-art instrument complying with all prevailing regulations and directives. The instrument must only be operated in a technically flawless and reliable condition. The operating company is responsible for the trouble-free operation of the instrument. When measuring aggressive or corrosive media that can cause a dangerous situation if the instrument malfunctions, the operating company has to implement suitable measures to make sure the instrument is functioning properly.

The safety instructions in this operating instructions manual, the national installation standards as well as the valid safety regulations and accident prevention rules must be observed.

For safety and warranty reasons, any invasive work on the device beyond that described in the operating instructions manual may be carried out only by personnel authorised by us. Arbitrary conversions or modifications are explicitly forbidden. For safety reasons, only the accessory specified by us must be used.

To avoid any danger, the safety approval markings and safety tips on the device must also be observed.

### 2.5 Conformity

The device complies with the legal requirements of the applicable country-specific directives or technical regulations. We confirm conformity with the corresponding labelling.

The corresponding conformity declarations can be found on our homepage.

## 2.6 NAMUR recommendations

NAMUR is the automation technology user association in the process industry in Germany. The published NAMUR recommendations are accepted as the standard in field instrumentation.

The device fulfils the requirements of the following NAMUR recommendations:

- NE 21 – Electromagnetic compatibility of equipment
- NE 43 – Signal level for fault information from measuring transducers
- NE 53 – Compatibility of field devices and display/adjustment components
- NE 107 – Self-monitoring and diagnosis of field devices

For further information see [www.namur.de](http://www.namur.de).

## 2.7 Installation and operation in the USA and Canada

This information is only valid for USA and Canada. Hence the following text is only available in the English language.

Installations in the US shall comply with the relevant requirements of the National Electrical Code (ANSI/NFPA 70).

Installations in Canada shall comply with the relevant requirements of the Canadian Electrical Code

A Class 2 power supply unit has to be used for the installation in the USA and Canada.

## 2.8 Environmental instructions

Protection of the environment is one of our most important duties. That is why we have introduced an environment management system with the goal of continuously improving company environmental protection. The environment management system is certified according to DIN EN ISO 14001.

Please help us fulfil this obligation by observing the environmental instructions in this manual:

- Chapter " *Packaging, transport and storage* "
- Chapter " *Disposal* "

## 3 Product description

### 3.1 Configuration

#### Scope of delivery

The scope of delivery encompasses:

- VEGABAR 87 pressure transmitter
- Ventilation valves, closing screws – depending on version (see chapter "Dimensions")

The further scope of delivery encompasses:

- Documentation
  - Quick setup guide VEGABAR 87
  - Test certificate for pressure transmitters
  - Instructions for optional instrument features
  - Ex-specific "Safety instructions" (with Ex versions)
  - If necessary, further certificates



#### Information:

Optional instrument features are also described in this operating instructions manual. The respective scope of delivery results from the order specification.

#### Type label

The type label contains the most important data for identification and use of the instrument:

- Instrument type
- Information about approvals
- Configuration information
- Technical data
- Serial number of the instrument
- QR code for device identification
- Numerical code for Bluetooth access (optional)
- Manufacturer information

#### Documents and software

To find order data, documents or software related to your device, you have the following options:

- Move to "[www.vega.com](http://www.vega.com)" and enter in the search field the serial number of your instrument.
- Scan the QR code on the type label.
- Open the VEGA Tools app and enter the serial number under "**Documentation**".

### 3.2 Principle of operation

#### Application area

The VEGABAR 87 is a pressure transmitter for pressure and level measurements of liquids with higher temperatures in the chemical, food processing and pharmaceutical industry.

#### Measured products

Measured products are liquids.

Depending on the instrument version and the measurement setup, the measured products can be also viscous.

**Measured variables**

The VEGABAR 87 is suitable for the measurement of the following process variables:

- Level

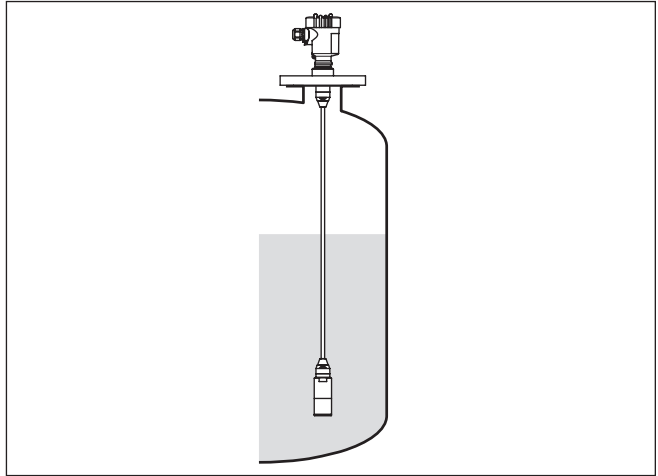


Fig. 1: Level measurement with VEGABAR 87

**Electronic differential pressure**

Depending on the version, the VEGABAR 87 is also suitable for electronic differential pressure measurement. For this, the instrument is combined with a Secondary Device.

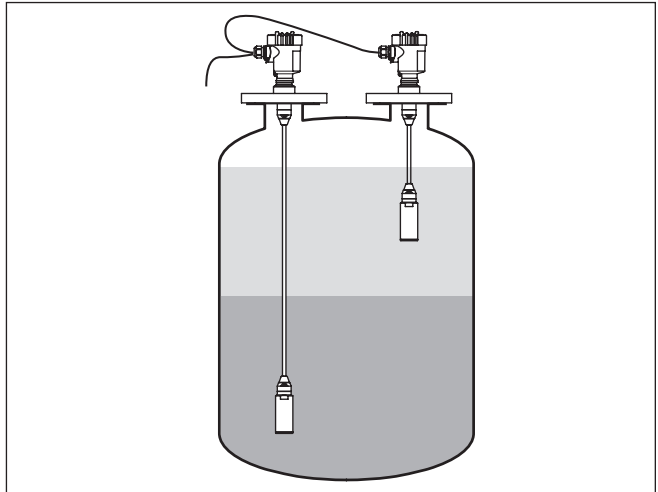


Fig. 2: Electronic differential pressure measurement via a Primary/Secondary combination

You can find detailed information in the operating instructions of the respective Secondary Device.



**Measuring system**

The process pressure acts on the sensor element via the stainless steel diaphragm and an internal transmission liquid. The process pressure causes a resistance change which is converted into a corresponding output signal and output as measured value.

The METEC® measuring cell is the measuring unit. It consists of the ceramic-capacitive CERTEC® measuring cell and a special, temperature-compensated isolating system.

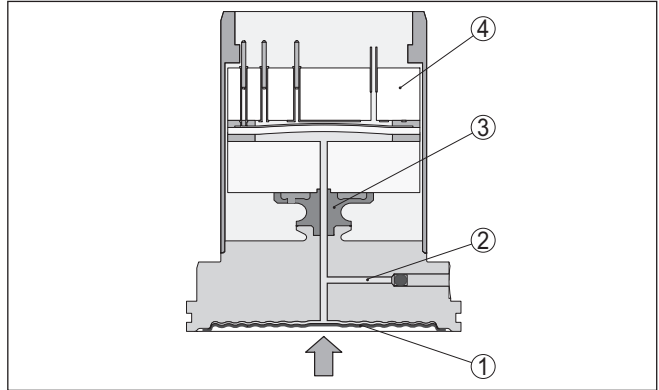


Fig. 3: Configuration of the METEC® measuring cell with VEGABAR 87

- 1 Process diaphragm
- 2 Isolating liquid
- 3 FeNi adapter
- 4 CERTEC® measuring cell

**Measuring system temperature**

Temperature sensors in the ceramic diaphragm and the ceramic base of the CERTEC® measuring cell detect the actual process temperature. The temperature value is output via:

- The display and adjustment module
- The current output or the additional current output
- The digital signal output

**Pressure types**

The measuring cell design depends on the selected pressure type.

**Relative pressure:** the measuring cell is open to the atmosphere. The ambient pressure is detected in the measuring cell and compensated. It thus has no influence on the measured value.

**Absolute pressure:** the measuring cell contains vacuum and is encapsulated. The ambient pressure is not compensated and does hence influence the measured value.

**Relative pressure, climate-compensated:** the measuring cell is evacuated and encapsulated. The ambient pressure is detected through a reference sensor in the electronics and compensated. It thus has no influence on the measured value.

**Seal concept**

The measuring system is completely welded and hence sealed against the process. The sealing of the process fitting against the process is carried out by a seal provided on site.

### 3.3 Packaging, transport and storage

#### Packaging

Your instrument was protected by packaging during transport. Its capacity to handle normal loads during transport is assured by a test based on ISO 4180.

The packaging consists of environment-friendly, recyclable cardboard. For special versions, PE foam or PE foil is also used. Dispose of the packaging material via specialised recycling companies.

#### Transport

Transport must be carried out in due consideration of the notes on the transport packaging. Nonobservance of these instructions can cause damage to the device.

#### Transport inspection

The delivery must be checked for completeness and possible transit damage immediately at receipt. Ascertained transit damage or concealed defects must be appropriately dealt with.

#### Storage

Up to the time of installation, the packages must be left closed and stored according to the orientation and storage markings on the outside.

Unless otherwise indicated, the packages must be stored only under the following conditions:

- Not in the open
- Dry and dust free
- Not exposed to corrosive media
- Protected against solar radiation
- Avoiding mechanical shock and vibration

#### Storage and transport temperature

- Storage and transport temperature see chapter " *Supplement - Technical data - Ambient conditions* "
- Relative moisture 20 ... 85 %

#### Lifting and carrying

With instrument weights of more than 18 kg (39.68 lbs) suitable and approved equipment must be used for lifting and carrying.

### 3.4 Accessories

The instructions for the listed accessories can be found in the download area on our homepage.

#### Display and adjustment module

The display and adjustment module is used for measured value indication, adjustment and diagnosis.

The integrated Bluetooth module (optional) enables wireless adjustment via standard adjustment devices.

#### VEGACONNECT

The interface adapter VEGACONNECT enables the connection of communication-capable instruments to the USB interface of a PC.

#### Secondary sensors

Secondary sensors of VEGABAR series 80 enable in conjunction with VEGABAR 87 an electronic differential pressure measurement.

<b>VEGADIS 81</b>	The VEGADIS 81 is an external display and adjustment unit for VEGA plics® sensors.
<b>VEGADIS adapter</b>	The VEGADIS adapter is an accessory part for sensors with double chamber housing. It enables the connection of VEGADIS 81 to the sensor housing via an M12 x 1 plug.
<b>VEGADIS 82</b>	VEGADIS 82 is suitable for measured value indication and adjustment of sensors with HART protocol. It is looped into the 4 ... 20 mA/HART signal cable.
<b>PLICSMOBILE T81</b>	The PLICSMOBILE T81 is an external GSM/GPRS/UMTS radio unit for transmission of measured values and for remote parameter adjustment of HART sensors.
<b>PLICSMOBILE 81</b>	PLICSMOBILE 81 is an internal GSM/GPRS/UMTS radio unit for HART sensors for transmitting measured values and for remote parameterization.
<b>Overvoltage protection</b>	The overvoltage arrester B81-35 is used instead of the terminals in the single or double chamber housing.
<b>Protective cover</b>	The protective cover protects the sensor housing against soiling and intense heat from solar radiation.
<b>Flanges</b>	Screwed flanges are available in different versions according to the following standards: DIN 2501, EN 1092-1, BS 10, ASME B 16.5, JIS B 2210-1984, GOST 12821-80.
<b>Welded socket, threaded and hygienic adapter</b>	Welded sockets are used to connect the devices to the process. Threaded and hygienic adapters enable simple adaptation of devices with standard threaded fittings to process-side hygiene connections.

## 4 Mounting

### 4.1 General instructions

#### Process conditions



**Note:**

For safety reasons, the instrument must only be operated within the permissible process conditions. You can find detailed information on the process conditions in chapter " *Technical data*" of the operating instructions or on the type label.

Hence make sure before mounting that all parts of the instrument exposed to the process are suitable for the existing process conditions.

These are mainly:

- Active measuring component
- Process fitting
- Process seal

Process conditions in particular are:

- Process pressure
- Process temperature
- Chemical properties of the medium
- Abrasion and mechanical influences

#### Protection against moisture

Protect your instrument against moisture ingress through the following measures:

- Use a suitable connection cable (see chapter " *Connecting to power supply*")
- Tighten the cable gland or plug connector
- Lead the connection cable downward in front of the cable entry or plug connector

This applies mainly to outdoor installations, in areas where high humidity is expected (e.g. through cleaning processes) and on cooled or heated vessels.



**Note:**

Make sure that during installation or maintenance no moisture or dirt can get inside the instrument.

To maintain the housing protection, make sure that the housing lid is closed during operation and locked, if necessary.

#### Screwing in

Devices with threaded fitting are screwed into the process fitting with a suitable wrench via the hexagon.

See chapter " *Dimensions*" for wrench size.



**Warning:**

The housing or the electrical connection may not be used for screwing in! Depending on the device version, tightening can cause damage, e. g. to the rotation mechanism of the housing.

#### Vibrations

Avoid damages on the device by lateral forces, for example by vibrations. It is thus recommended to fix the devices with process fitting

thread G½ of plastic at the installation site via a suitable measuring instrument holder.

If there is strong vibration at the mounting location, the instrument version with external housing should be used. See chapter " *External housing*".

**Permissible process pressure (MWP) - Device**

The permissible process pressure range is specified on the type label with "MWP" (Maximum Working Pressure), see chapter " *Configuration*". This applies even if a measuring cell with a measuring range (order-related) higher than the permissible pressure range of the process fitting is installed.

In addition, a temperature derating of the process fitting, e. g. with flanges, can limit the permissible process pressure range according to the respective standard.

**Permissible process pressure (MWP) - Mounting accessory**

The permissible process pressure range is stated on the type label. The instrument should only be operated with these pressures if the mounting accessory used also fulfils these values. This should be ensured by suitable flanges, welded sockets, tension rings with Clamp connections, sealings, etc.

**Temperature limits**

Higher process temperatures often mean also higher ambient temperatures. Make sure that the upper temperature limits stated in chapter " *Technical data*" for the environment of the electronics housing and connection cable are not exceeded.

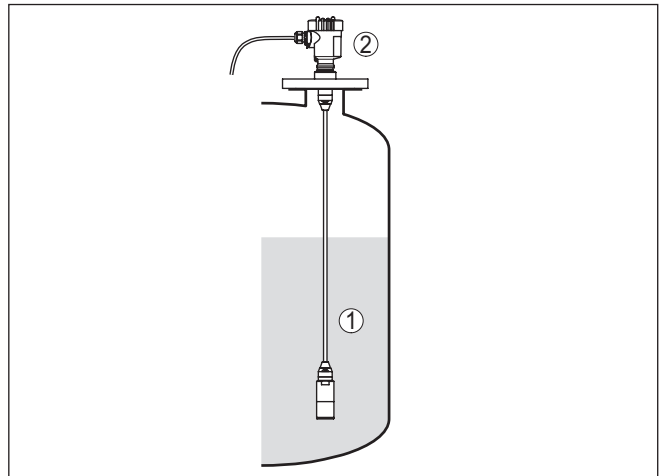


Fig. 4: Temperature ranges

- 1 Process temperature
- 2 Ambient temperature

**Transport and mounting protection**

Depending on the transmitter, the VEGABAR 87 is supplied with a protective cap or a transport and mounting protection.

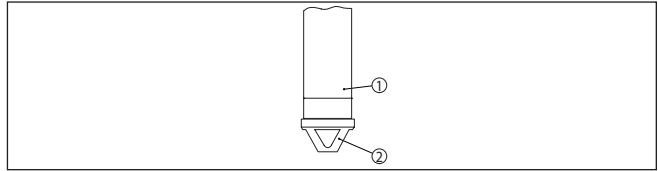


Fig. 5: VEGABAR 87, transport and mounting protection

- 1 Transmitter  
2 Transport and mounting protection

Remove this protection after mounting and before setting up the instrument.

In case of slightly contaminated measured media, the transport and mounting protection can remain on the instrument as an impact protection during operation.

## 4.2 Ventilation and pressure compensation

### Filter element - Function

The filter element in the electronics housing has the following functions:

- Ventilation of the electronics housing
- Atmospheric pressure compensation (with relative pressure measuring ranges)



#### Caution:

The filter element causes a time-delayed pressure compensation. When quickly opening/closing the housing cover, the measured value can change for approx. 5 s by up to 15 mbar.

For an effective ventilation, the filter element must be always free from buildup. In case of horizontal mounting, turn the housing so that the filter element points downward after the instrument is installed. This provides better protection against buildup.



#### Caution:

Do not use a high-pressure cleaner. The filter element could be damaged, which would allow moisture into the housing.

The following paragraphs describe how the filter element is arranged in the different instrument versions.

**Filter element - Position**

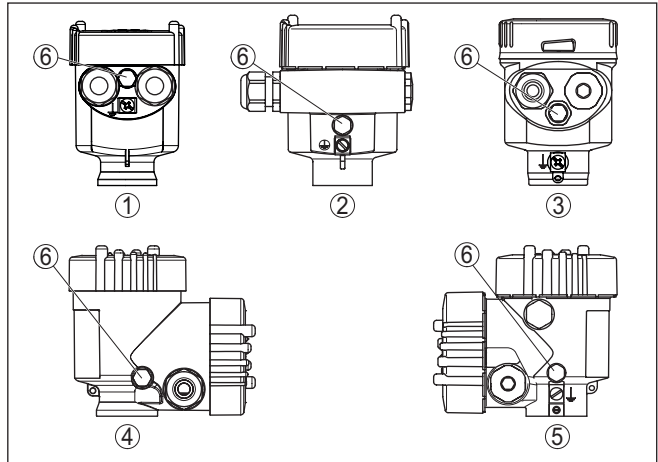


Fig. 6: Position of the filter element

- 1 Plastic, stainless steel single chamber (precision casting)
- 2 Aluminium - single chamber
- 3 Stainless steel single chamber (electropolished)
- 4 Plastic double chamber
- 5 Aluminium, stainless steel double chamber housing (precision casting)
- 6 Filter element

With the following instruments a blind plug is installed instead of the filter element:

- Instruments in protection IP66/IP68 (1 bar) - ventilation via capillaries in non-detachable cable
- Instruments with absolute pressure

**Filter element - Position  
Ex d version**

- Turn the metal ring in such a way that the filter element points downward after installation of the instrument. This provides better protection against buildup.

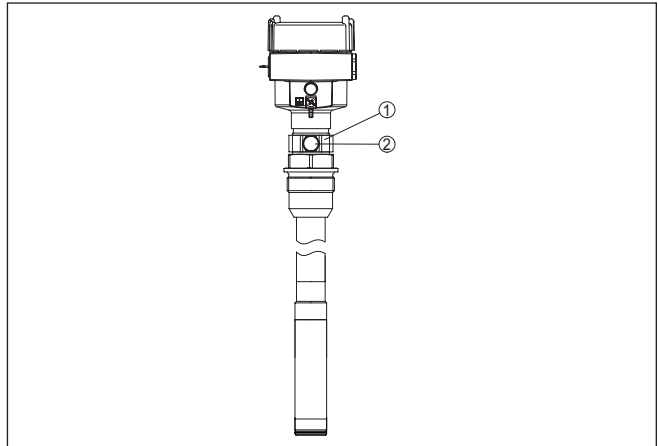


Fig. 7: Position of the filter element - Ex d version

- 1 Rotatable metal ring
- 2 Filter element

With absolute pressure measuring ranges, a blind plug is used instead of the filter element.

### Filter element - Position Second Line of Defense

The Second Line of Defense (SLOD) is a second level of the process separation in form of a gas-tight leadthrough in the housing neck, preventing products from penetrating into the housing.

With these instruments, the process assembly is completely encapsulated. An absolute pressure measuring cell is used so that no ventilation is required.

With relative pressure measuring ranges, the ambient pressure is detected and compensated by a reference sensor in the electronics.

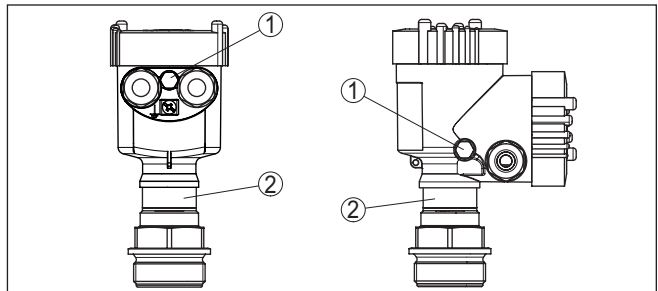


Fig. 8: Position of the filter element - gastight leadthrough

- 1 Filter element
- 2 Gas-tight leadthrough



**Filter element - Position  
IP69K version**

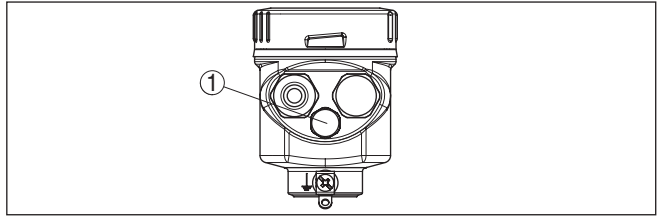


Fig. 9: Position of the filter element - IP69K version

1 Filter element

Instruments with absolute pressure have a blind plug mounted instead of the filter element.

**4.3 Level measurement**

**Measurement setup**

Keep the following in mind when setting up the measuring system:

- Do not mount the instrument close to the filling stream or emptying area
- Mount the instrument so that it is protected against pressure shocks from the stirrer

**4.4 External housing**

**Configuration**

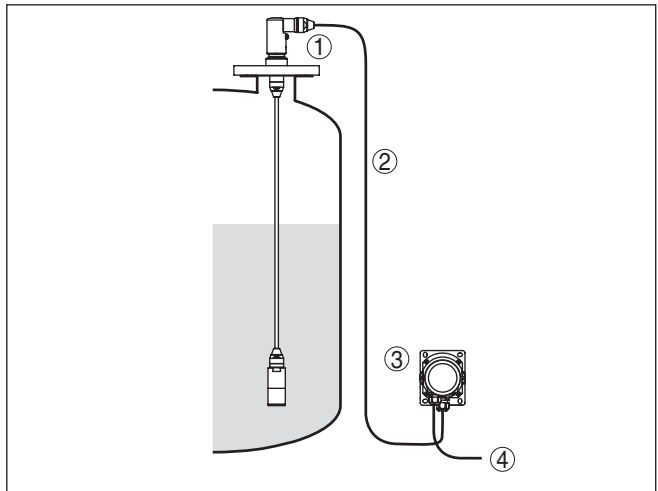


Fig. 10: Arrangement measurement loop, external housing

- 1 Sensor
- 2 Connection cable sensor, external housing
- 3 External housing
- 4 Signal cable

## 5 Connecting to power supply

### 5.1 Preparing the connection

#### Safety instructions

Always keep in mind the following safety instructions:

- Carry out electrical connection by trained, qualified personnel authorised by the plant operator
- If overvoltage surges are expected, overvoltage arresters should be installed



#### Warning:

Only connect or disconnect in de-energized state.

#### Voltage supply

Power supply and current signal are carried on the same two-wire cable. The operating voltage can differ depending on the instrument version.

The data for power supply are specified in chapter " *Technical data*".

Provide a reliable separation between the supply circuit and the mains circuits according to DIN EN 61140 VDE 0140-1.

Power the instrument via an energy-limited circuit acc. to IEC 61010-1, e.g. via Class 2 power supply unit.

Keep in mind the following additional factors that influence the operating voltage:

- Lower output voltage of the power supply unit under nominal load (e.g. with a sensor current of 20.5 mA or 22 mA in case of fault signal)
- Influence of additional instruments in the circuit (see load values in chapter " *Technical data*")

#### Connection cable

The instrument is connected with standard two-wire cable without shielding. If electromagnetic interference is expected which is above the test values of EN 61326-1 for industrial areas, shielded cable should be used.

Use cable with round cross section for instruments with housing and cable gland. Use a cable gland suitable for the cable diameter to ensure the seal effect of the cable gland (IP protection rating).

We generally recommend the use of shielded cable for HART multidrop mode.

#### Cable screening and grounding

If shielded cable is required, we recommend connecting the cable screening on both ends to ground potential. In the sensor, the cable screening is connected directly to the internal ground terminal. The ground terminal on the outside of the housing must be connected to the ground potential (low impedance).



In Ex systems, the grounding is carried out according to the installation regulations.

In electroplating plants as well as plants for cathodic corrosion protection it must be taken into account that significant potential differences

exist. This can lead to unacceptably high currents in the cable screen if it is grounded at both ends.



**Note:**

The metallic parts of the instrument (process fitting, sensor, concentric tube, etc.) are connected with the internal and external ground terminal on the housing. This connection exists either directly via the conductive metallic parts or, in case of instruments with external electronics, via the screen of the special connection cable.

You can find specifications on the potential connections inside the instrument in chapter " *Technical data*".

## Cable glands

**Metric threads:**

In the case of instrument housings with metric thread, the cable glands are screwed in at the factory. They are sealed with plastic plugs as transport protection.



**Note:**

You have to remove these plugs before electrical connection.

**NPT thread:**

In the case of instrument housings with self-sealing NPT threads, it is not possible to have the cable entries screwed in at the factory. The free openings for the cable glands are therefore covered with red dust protection caps as transport protection.



**Note:**

Prior to setup you have to replace these protective caps with approved cable glands or close the openings with suitable blind plugs.

On plastic housings, the NPT cable gland or the Conduit steel tube must be screwed into the threaded insert without grease.

Max. torque for all housings, see chapter " *Technical data*".

## 5.2 Connecting

### Connection technology

The voltage supply and signal output are connected via the spring-loaded terminals in the housing.

Connection to the display and adjustment module or to the interface adapter is carried out via contact pins in the housing.



**Information:**

The terminal block is pluggable and can be removed from the electronics. To do this, lift the terminal block with a small screwdriver and pull it out. When reinserting the terminal block, you should hear it snap in.

### Connection procedure

Proceed as follows:

1. Unscrew the housing lid
2. If a display and adjustment module is installed, remove it by turning it slightly to the left
3. Loosen compression nut of the cable gland and remove blind plug

4. Remove approx. 10 cm (4 in) of the cable mantle, strip approx. 1 cm (0.4 in) of insulation from the ends of the individual wires
5. Insert the cable into the sensor through the cable entry

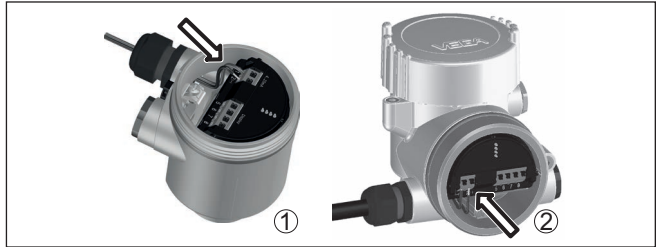


Fig. 11: Connection steps 5 and 6

- 1 Single chamber housing
- 2 Double chamber housing

6. Insert the wire ends into the terminals according to the wiring plan



**Note:**

Solid cores as well as flexible cores with wire end sleeves are inserted directly into the terminal openings. In case of flexible cores without end sleeves, press the terminal from above with a small screwdriver, the terminal opening is then free. When the screwdriver is released, the terminal closes again.

7. Check the hold of the wires in the terminals by lightly pulling on them
  8. Connect the shielding to the internal ground terminal, connect the external ground terminal to potential equalisation
  9. Tighten the compression nut of the cable entry gland. The seal ring must completely encircle the cable
  10. Reinsert the display and adjustment module, if one was installed
  11. Screw the housing lid back on
- The electrical connection is finished.

### 5.3 Single chamber housing



The following illustration applies to the non-Ex, Ex ia and Ex d version.

**Electronics and connection compartment**

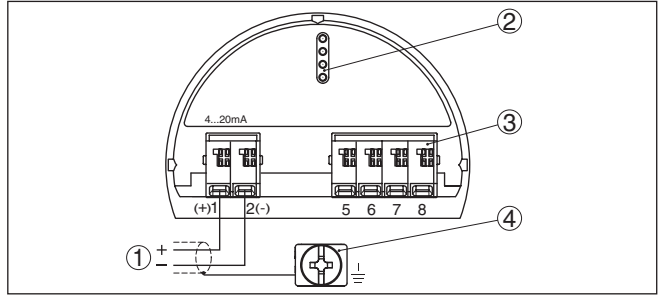


Fig. 12: Electronics and connection compartment - single chamber housing

- 1 Voltage supply, signal output
- 2 For display and adjustment module or interface adapter
- 3 For external display and adjustment unit or Secondary sensor
- 4 Ground terminal for connection of the cable screening

**5.4 Double chamber housing**



The following illustrations apply to the non-Ex as well as to the Ex-ia version.

**Electronics compartment**

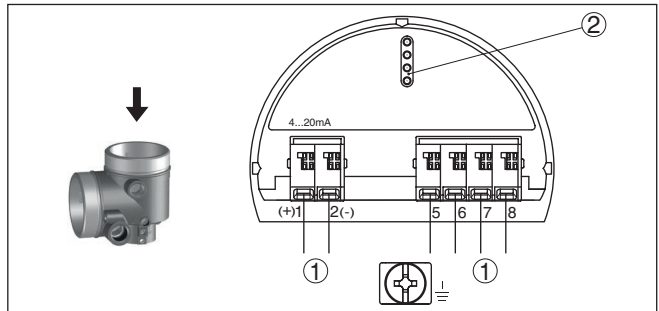


Fig. 13: Electronics compartment - double chamber housing

- 1 Internal connection to the connection compartment
- 2 For display and adjustment module or interface adapter

## Connection compartment

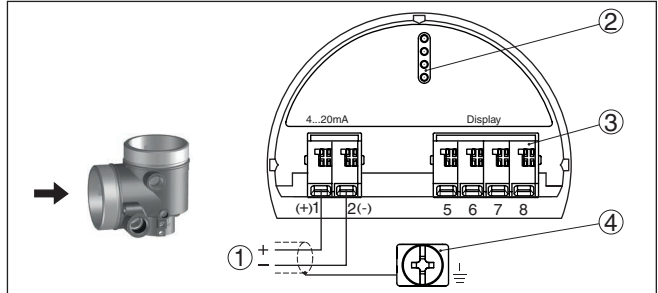


Fig. 14: Connection compartment - double chamber housing

- 1 Voltage supply, signal output
- 2 For display and adjustment module or interface adapter
- 3 For external display and adjustment unit
- 4 Ground terminal for connection of the cable screening

## Supplementary electronics - Additional current output

To make a second measured value available for use, you can use the supplementary electronics "Additional current output".

Both current outputs are passive and need a power supply.

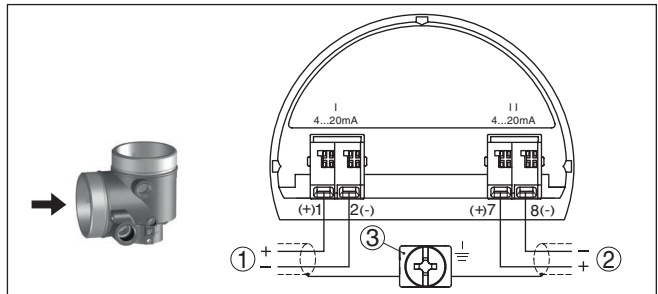


Fig. 15: Terminal compartment, double chamber housing, supplementary electronics "Additional current output"

- 1 First current output (I) - Voltage supply and signal output, sensor (HART)
- 2 Additional current output (II) - Voltage supply and signal output (without HART)
- 3 Ground terminal for connection of the cable screening

**Connection compartment - Radio module PLICSMOBILE 81**

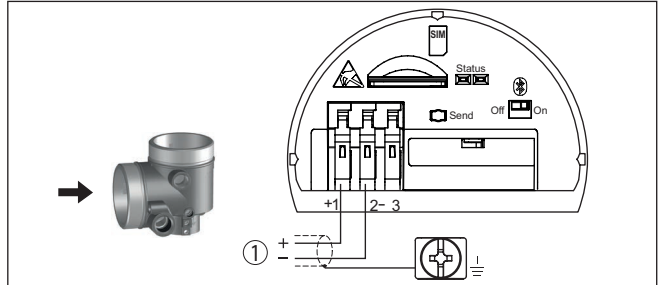


Fig. 16: Connection compartment - Radio module PLICSMOBILE 81

1 Voltage supply

You can find detailed information for connection in the operating instructions "PLICSMOBILE".

**5.5 Ex d ia double chamber housing**

**Electronics compartment**

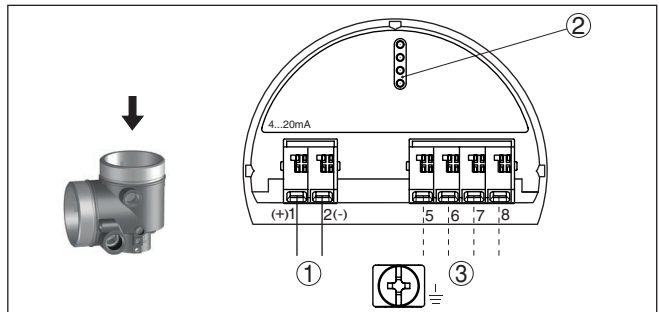


Fig. 17: Electronics compartment - Ex d ia double chamber housing

- 1 Internal connection to the connection compartment
- 2 For display and adjustment module or interface adapter
- 3 Internal connection to the plug connector for external display and adjustment unit (optional)



**Note:**

HART multidrop mode is not possible when using an Ex d ia instrument.

## Connection compartment

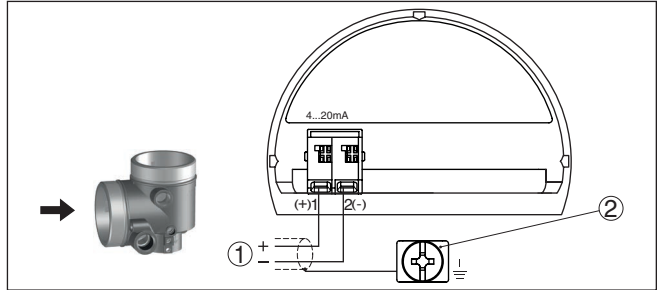


Fig. 18: Connection compartment - Ex d ia double chamber housing

- 1 Voltage supply, signal output
- 2 Ground terminal for connection of the cable screening

## 5.6 Double chamber housing with VEGADIS-Adapter

## Electronics compartment

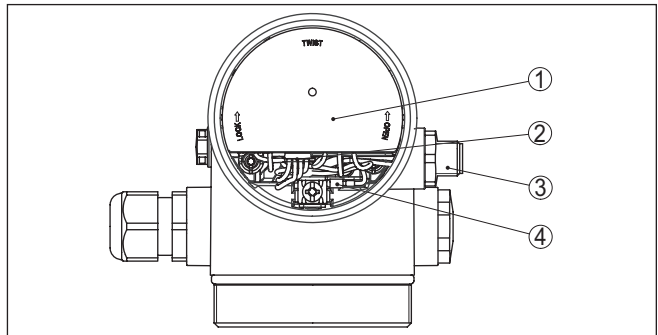


Fig. 19: View to the electronics compartment with VEGADIS adapter for connection of the external display and adjustment unit

- 1 VEGADIS adapter
- 2 Internal plug connection
- 3 M12 x 1 plug connector

## Assignment of the plug connector

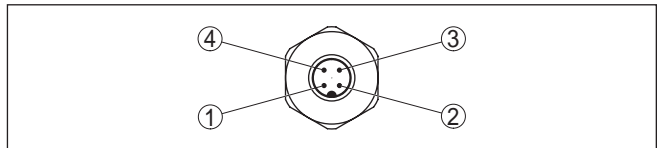


Fig. 20: Top view of the M12 x 1 plug connector

- 1 Pin 1
- 2 Pin 2
- 3 Pin 3
- 4 Pin 4



Contact pin	Colour, connection cable in the sensor	Terminal, electronics module
Pin 1	Brown	5
Pin 2	White	6
Pin 3	Blue	7
Pin 4	Black	8

**Wire assignment, connection cable**

**5.7 Housing IP66/IP68 (1 bar)**

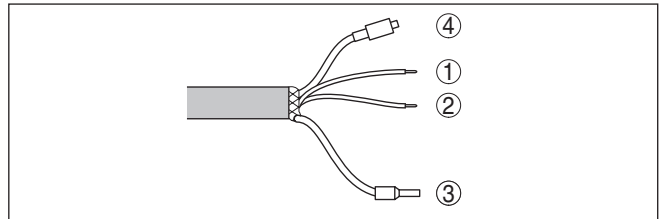


Fig. 21: Wire assignment, connection cable

- 1 Brown (+): to voltage supply or to the processing system
- 2 Blue (-): to voltage supply or to the processing system
- 3 Shielding
- 4 Breather capillaries with filter element

**Terminal compartment, housing socket**

**5.8 External housing**

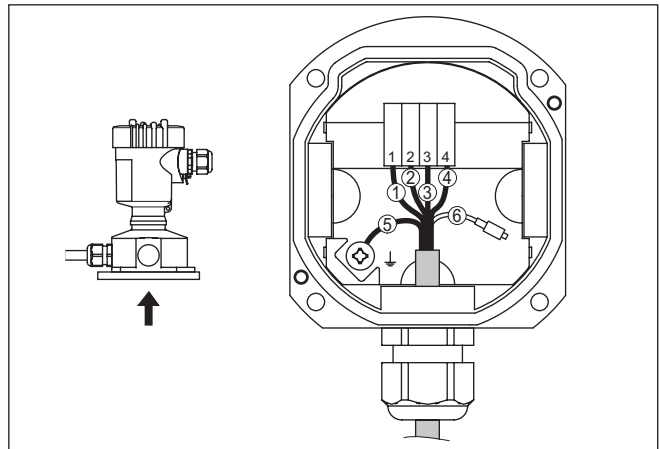


Fig. 22: Connection of the process component in the housing base

- 1 Yellow
- 2 White
- 3 Red
- 4 Black
- 5 Shielding
- 6 Breather capillaries

### Electronics and connection compartment for power supply

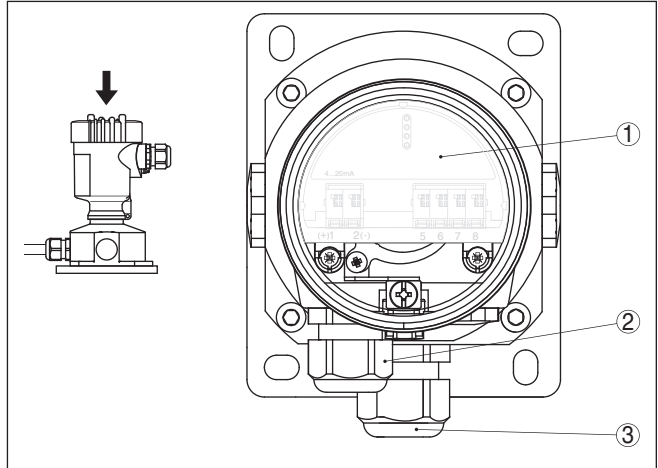


Fig. 23: Electronics and connection compartment

- 1 Electronics module
- 2 Cable gland for voltage supply
- 3 Cable gland for connection cable, transmitter

### Electronics and connection compartment

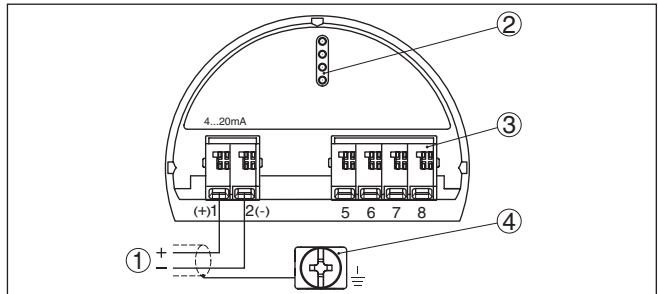


Fig. 24: Electronics and connection compartment - single chamber housing

- 1 Voltage supply, signal output
- 2 For display and adjustment module or interface adapter
- 3 For external display and adjustment unit or Secondary sensor
- 4 Ground terminal for connection of the cable screening

### 5.9 Connection example

**Connection example, additional current output**

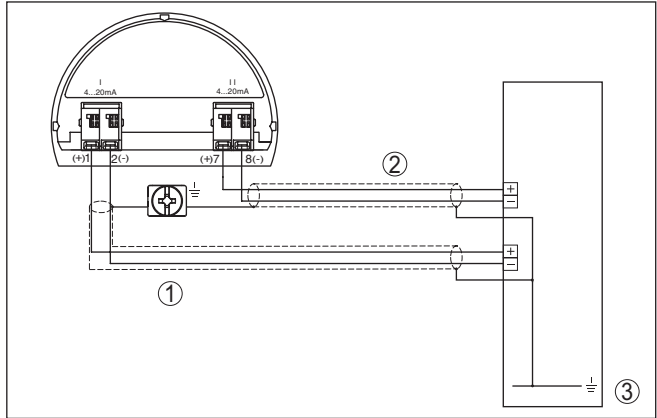


Fig. 25: Connection example VEGABAR 87 additional current output

- 1 Supply and signal circuit, sensor
- 2 Signal circuit, additional current output
- 3 Input card PLC

Sensor	Circuit	Input card PLC
Terminal 1 (+) pas-sive	Supply and signal circuit, sensor	Input 1 terminal (+) active sensor
Terminal 2 (-) pas-sive	Supply and signal circuit, sensor	Input 1 terminal (-) active sensor
Terminal 7 (+) pas-sive	Signal circuit, additional current output	Input 2 terminal (+) active sensor
Terminal 8 (-) pas-sive	Signal circuit, additional current output	Input 2 terminal (-) active sensor

### 5.10 Switch-on phase

After connecting the instrument to power supply or after a voltage recurrence, the instrument carries out a self-check:

- Internal check of the electronics
- Indication of a status message on the display or PC
- The output signal jumps to the set fault current

Then the actual measured value is output to the signal cable. The value takes into account settings that have already been carried out, e.g. default setting.

## 6 Set up with the display and adjustment module

### 6.1 Insert display and adjustment module

The display and adjustment module can be inserted into the sensor and removed again at any time. You can choose any one of four different positions - each displaced by 90°. It is not necessary to interrupt the power supply.

Proceed as follows:

1. Unscrew the housing lid
2. Place the display and adjustment module on the electronics in the desired position and turn it to the right until it snaps in.
3. Screw housing lid with inspection window tightly back on

Disassembly is carried out in reverse order.

The display and adjustment module is powered by the sensor, an additional connection is not necessary.



Fig. 26: Installing the display and adjustment module in the electronics compartment of the single chamber housing

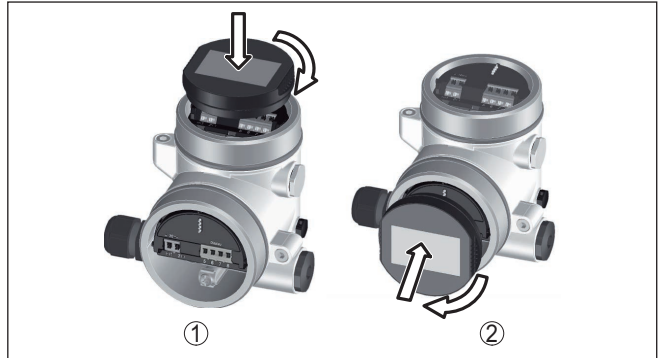


Fig. 27: Installing the display and adjustment module in the double chamber housing

- 1 In the electronics compartment
- 2 In the connection compartment



**Note:**

If you intend to retrofit the instrument with a display and adjustment module for continuous measured value indication, a higher lid with an inspection glass is required.

**6.2 Adjustment system**

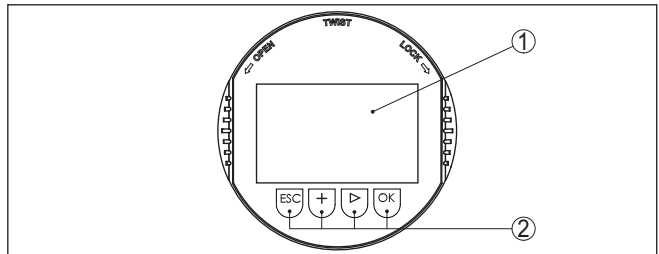


Fig. 28: Display and adjustment elements

- 1 LC display
- 2 Adjustment keys

**Key functions**

- **[OK]** key:
  - Move to the menu overview
  - Confirm selected menu
  - Edit parameter
  - Save value
- **[>]** key:
  - Change measured value presentation
  - Select list entry
  - Select menu items
  - Select editing position
- **[+]** key:

- Change value of the parameter

- **[ESC]** key:

- Interrupt input
- Jump to next higher menu

### Adjustment system

The instrument is operated via the four keys of the display and adjustment module. The individual menu items are shown on the LC display. You can find the function of the individual keys in the previous illustration.

### Adjustment system - keys via magnetic pen

With the Bluetooth version of the display and adjustment module you can also adjust the instrument with the magnetic pen. The pen operates the four keys of the display and adjustment module right through the closed lid (with inspection window) of the sensor housing.

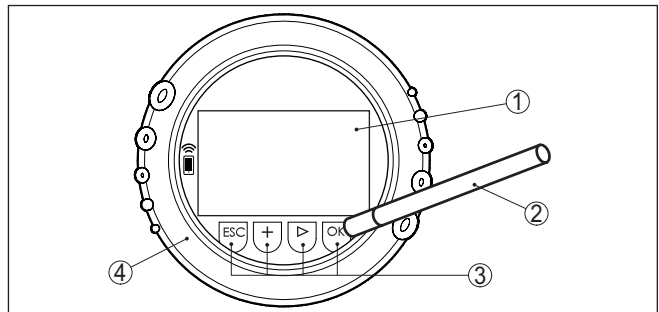


Fig. 29: Display and adjustment elements - with adjustment via magnetic pen

- 1 LC display
- 2 Magnetic pen
- 3 Adjustment keys
- 4 Lid with inspection window

### Time functions

When the **[+]** and **[->]** keys are pressed quickly, the edited value, or the cursor, changes one value or position at a time. If the key is pressed longer than 1 s, the value or position changes continuously.

When the **[OK]** and **[ESC]** keys are pressed simultaneously for more than 5 s, the display returns to the main menu. The menu language is then switched over to "English".

Approx. 60 minutes after the last pressing of a key, an automatic reset to measured value indication is triggered. Any values not confirmed with **[OK]** will not be saved.

## 6.3 Measured value indication

### Measured value indication

With the **[->]** key you can move between three different indication modes.

In the first view, the selected measured value is displayed in large digits.

In the second view, the selected measured value and a respective bargraph presentation are displayed.

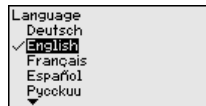
In the third view, the selected measured value as well as a second selectable value, e.g. the temperature, are displayed.



With the "OK" key you move (during the initial setup of the instrument) to the selection menu "Language".

### Selection language

In this menu item, you can select the national language for further parameterization.

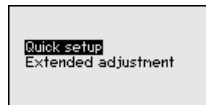


With the "[->]" button, you can select the requested language, with "OK" you confirm the selection and move to the main menu.

You can change your selection afterwards with the menu item "Setup - Display, Menu language".

## 6.4 Parameter adjustment - Quick setup

To quickly and easily adapt the sensor to the application, select the menu item "Quick setup" in the start graphic on the display and adjustment module.



Select the individual steps with the "[->]" key.

After the last step, "Quick setup terminated successfully" is displayed briefly.

The return to the measured value indication is carried out through the "[->]" or "[ESC]" keys or automatically after 3 s



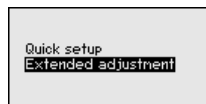
**Note:**

You can find a description of the individual steps in the quick setup guide of the sensor.

You can find "Extended adjustment" in the next sub-chapter.

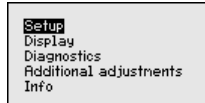
## 6.5 Parameter adjustment - Extended adjustment

For technically demanding measuring points, you can carry out extended settings in "Extended adjustment".



## Main menu

The main menu is divided into five sections with the following functions:



**Setup:** Settings e. g. for measurement loop name, application, units, position correction, adjustment, signal output, disable/enable operation

**Display:** Settings, e.g., for language, measured value display, lighting

**Diagnostics:** Information, for example, of device status, peak indicator, simulation

**Additional adjustments:** date/time, reset, copy function

**Info:** Instrument name, hardware and software version, calibration date, sensor features



### Note:

For optimum setting of the measuring point, the individual submenu items in the main menu item "Setup" should be selected one after the other and provided with the correct parameters. If possible, go through the items in the given sequence.

The submenu points are described below.

### 6.5.1 Setup

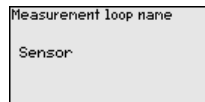
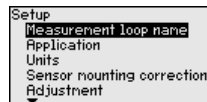
#### Measurement loop name

In the menu item "Sensor TAG" you edit a twelve-digit measurement loop designation.

You can enter an unambiguous designation for the sensor, e.g. the measurement loop name or the tank or product designation. In digital systems and in the documentation of larger plants, a singular designation must be entered for exact identification of individual measuring points.

The available digits include:

- Letters from A ... Z
- Numbers from 0 ... 9
- Special characters +, -, /, -



#### Application

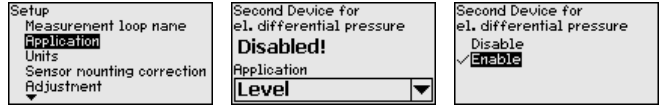
In this menu item you activate/deactivate the Secondary Device for electronic differential pressure and select the application.

VEGABAR 87 can be used for process pressure and level measurement. The setting in the delivery status is "Level". The mode can be changed in this adjustment menu.

If you have connected **no** Secondary Device, you confirm this with "Deactivate".



Depending on the selected application, different subchapters in the following adjustment steps are important. There you can find the individual adjustment steps.

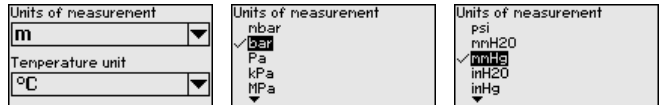


Enter the requested parameters via the appropriate keys, save your settings with **[OK]** and jump to the next menu item with the **[ESC]** and the **[->]** key.

**Units**

In this menu item, the adjustment units of the instrument are determined. The selection determines the unit displayed in the menu items "Min. adjustment (Zero)" and "Max. adjustment (Span)".

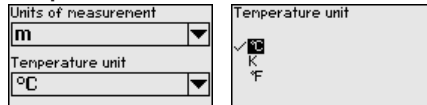
**Unit of measurement:**



If the level should be adjusted in a height unit, the density of the medium must also be entered later during the adjustment.

In addition, the temperature unit of the instrument is specified. The selection determines the unit displayed in menu items "Peak indicator, temperature" and "in the variables of the digital output signal".

**Temperature unit:**



Enter the requested parameters via the appropriate keys, save your settings with **[OK]** and jump to the next menu item with the **[ESC]** and the **[->]** key.

**Position correction**

Especially with chemical seal systems, the installation position of the instrument can shift (offset) the measured value. Position correction compensates this offset. In the process, the actual measured value is taken over automatically. With relative pressure measuring cells a manual offset can also be carried out.



**Note:**

If the current measured value is automatically accepted, it must not be falsified by medium coverage or static pressure.

With the manual position correction, the offset value can be determined by the user. Select for this purpose the function "Edit" and enter the requested value.

Save your settings with **[OK]** and move with **[ESC]** and **[->]** to the next menu item.

After the position correction is carried out, the actual measured value is corrected to 0. The corrective value appears with an inverse sign as offset value in the display.

The position correction can be repeated as often as necessary. However, if the sum of the corrective values exceeds  $\pm 50\%$  of the nominal measuring range, then no position correction is possible.

**Parameterization example** VEGABAR 87 always measures pressure independently of the process variable selected in the menu item "Application". To output the selected process variable correctly, an allocation of the output signal to 0 % and 100 % must be carried out (adjustment).

During adjustment, the pressure is entered e.g. for the level with full and empty vessel, see following example:

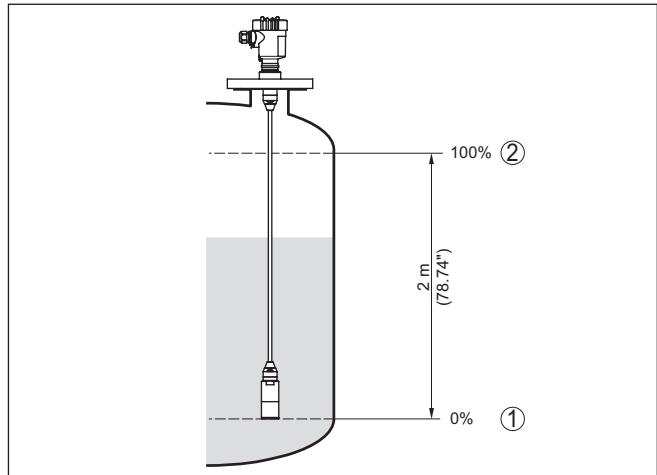


Fig. 30: Parameter adjustment example Min./max. adjustment, level measurement

- 1 Min. level = 0 % corresponds to 0.0 mbar
- 2 Max. level = 100 % corresponds to 196.2 mbar

If these values are not known, an adjustment with filling levels of e.g. 10 % and 90 % is also possible. By means of these settings, the real filling height is then calculated.

The actual product level during the adjustment is not important, because the min./max. adjustment is always carried out without changing the product level. These settings can be made ahead of time without the instrument having to be installed.



**Note:**

If the adjustment ranges are exceeded, the entered value will not be accepted. Editing can be interrupted with **[ESC]** or corrected to a value within the adjustment ranges.

## Min. adjustment - Level

Proceed as follows:

1. Select the menu item "Setup" with **[->]** and confirm with **[OK]**. Now select with **[->]** the menu item "Adjustment", then "Min. adjustment" and confirm with **[OK]**.



2. Edit the percentage value with **[OK]** and set the cursor to the requested position with **[->]**.
3. Set the requested percentage value (e.g. 10 %) with **[+]** and save with **[OK]**. The cursor jumps now to the pressure value.
4. Enter the pressure value corresponding to the min. level (e.g. 0 mbar).
5. Save settings with **[OK]** and move with **[ESC]** and **[->]** to the max. adjustment.

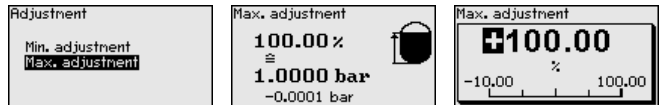
The min. adjustment is finished.

For an adjustment with filling, simply enter the actual measured value indicated at the bottom of the display.

## Max. adjustment - Level

Proceed as follows:

1. Select with **[->]** the menu item "Max. adjustment" and confirm with **[OK]**.



2. Edit the percentage value with **[OK]** and set the cursor to the requested position with **[->]**.
3. Set the requested percentage value (e.g. 90 %) with **[+]** and save with **[OK]**. The cursor jumps now to the pressure value.
4. Enter the pressure value for the full vessel (e.g. 900 mbar) corresponding to the percentage value.
5. Save settings with **[OK]**

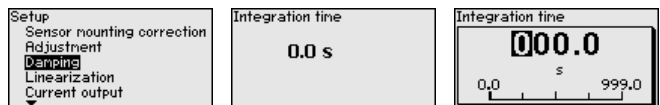
The max. adjustment is finished.

For an adjustment with filling, simply enter the actual measured value indicated at the bottom of the display.

## Damping

To damp process-dependent measured value fluctuations, set an damping of 0 ... 999 s in this menu item. The increment is 0.1 s.

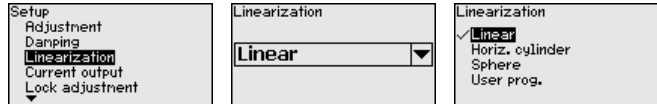
The set damping is effective for level and process pressure measurement as well as for all applications of electronic differential pressure measurement.



The default setting is a damping of 0 s.

## Linearisation

A linearization is necessary for all vessels in which the vessel volume does not increase linearly with the level - e.g. a horizontal cylindrical or spherical tank - and the indication or output of the volume is required. Corresponding linearization curves are preprogrammed for these vessels. They represent the correlation between the level percentage and vessel volume. The linearization applies to the measured value indication and the current output.



With flow measurement and selection "*Linear*" display and output (percentage/current) are linear to "**Differential pressure**". This can be used, for example, to feed a flow computer.

With flow measurement and selection "*Extraction by root*" display and output (percentage/current) are linear to "**Flow**".<sup>1)</sup>

With flow in two directions (bidirectional) a negative differential pressure is also possible. This must already be taken into account in menu item "*Min. adjustment flow*".



### Caution:

Note the following, if the respective sensor is used as part of an over-fill protection system according to WHG:

If a linearisation curve is selected, the measuring signal is no longer necessarily linear to the filling height. This must be considered by the user especially when setting the switching point on the limit signal transmitter.

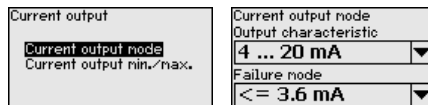
## Current output

In the menu items "*Current output*" you determine the properties of the current output.

On instruments with integrated additional current output, the properties for each current output are adjusted individually. The following descriptions apply to both current outputs.

## Current output (mode)

In the menu item "*Current output mode*" you determine the output characteristics and reaction of the current output in case of fault.

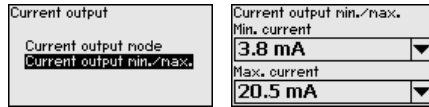


The default setting is output characteristics 4 ... 20 mA, fault mode < 3.6 mA.

## Current output (min./max.)

In the menu item "*Current output Min./Max.*", you determine the reaction of the current output during operation.

<sup>1)</sup> The device assumes an approximately constant temperature and static pressure and converts the differential pressure into the flow rate via the characteristic curve extracted by root.

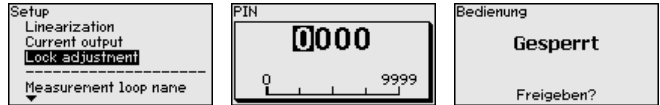


The default setting is min. current 3.8 mA and max. current 20.5 mA.

**Lock/Unlock adjustment**

In the menu item " *Lock/unlock adjustment*" you safeguard the sensor parameters against unauthorized or unintentional modifications.

This is done by entering a four-digit PIN.



With active PIN, only the following adjustment functions are possible without entering a PIN:

- Select menu items and show data
- Read data from the sensor into the display and adjustment module

Releasing the sensor adjustment is also possible in any menu item by entering the PIN.



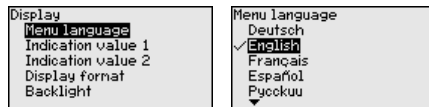
**Caution:**

With active PIN, adjustment via PACTware/DTM and other systems is also blocked.

**6.5.2 Display**

**Language**

This menu item enables the setting of the requested national language.



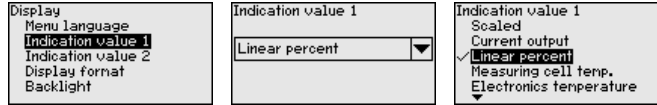
The following languages are available:

- German
- English
- French
- Spanish
- Russian
- Italian
- Dutch
- Portuguese
- Japanese
- Chinese
- Polish
- Czech
- Turkish

In delivery status, the VEGABAR 87 is set to English.

**Display value 1 and 2**

In this menu item, you define which measured value is displayed.



The setting in the delivery status for the display value is " *Lin. percent*".

## Display format 1 and 2

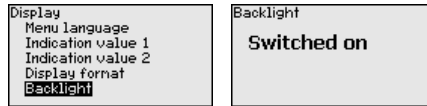
In this menu item you define the number of decimal positions with which the measured value is displayed.



The setting in the delivery status for the display format is " *Automatic*".

## Backlight

The display and adjustment module has a backlight for the display. In this menu item you can switch on the lighting. You can find the required operating voltage in chapter " *Technical data*".

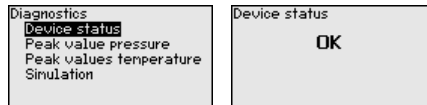


In delivery status, the lighting is switched on.

## 6.5.3 Diagnostics

### Device status

In this menu item, the device status is displayed.

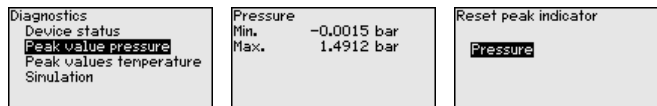


In case of error, e.g. the error code F017, e.g. the error description " *Adjustment span too small*" and a four digit figure are displayed for service purposes. You can find the error codes with description, reason as well as rectification in chapter " *Asset Management*".

### Peak indicator, pressure

The respective min. and max. measured values are saved in the sensor. The two values are displayed in menu item " *Peak indicator, pressure*".

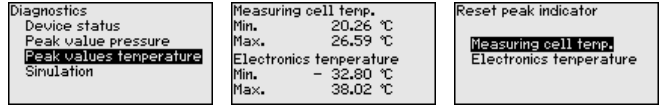
In another window you can carry out a reset of the peak values separately.



### Peak indicator, temperature

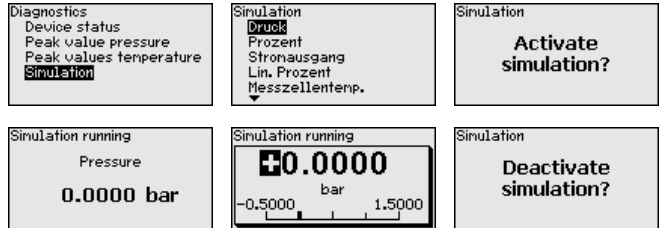
The respective min. and max. measured values of the measuring cell and the electronics temperature are stored in the sensor. In menu item " *Peak indicator, temperature*", both values are displayed.

In another window you can carry out a reset of the two peak values separately.



**Simulation**

In this menu item you can simulate measured values. This allows the signal path to be tested, e.g. through downstream indicating instruments or the input card of the control system.



Select the requested simulation variable and set the requested value.

To deactivate the simulation, you have to push the **[ESC]** key and confirm the message " Deactivate simulation" with the **[OK]** key.



**Caution:**

During simulation, the simulated value is output as 4 ... 20 mA current value and with instruments 4 ... 20 mA/HART in addition as digital HART signal. The status message within the context of the asset management function is " Maintenance".



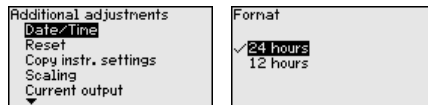
**Note:**

Without manual deactivation, the sensor terminates the simulation automatically after 60 minutes.

**6.5.4 Additional adjustments**

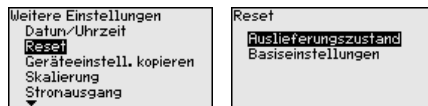
**Date/Time**

In this menu item, you adjust the internal clock of the sensor. There is no adjustment for summer/winter (daylight saving) time.



**Reset**

After a reset, certain parameter adjustments made by the user are reset.



The following reset functions are available:

**Delivery status:** Restores the parameter settings at the time of shipment from the factory, incl. the order-specific settings. Any user-

defined linearisation curve as well as the measured value memory are deleted.

**Basic settings:** Resets the parameter settings, incl. special parameters, to the default values of the respective instrument. Any programmed linearisation curve as well as the measured value memory are deleted.



**Note:**

You can find the default values of the device in chapter "Menu overview".

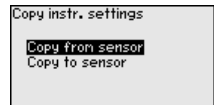
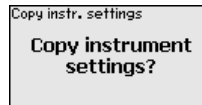
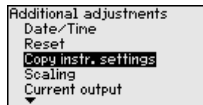
### Copy instrument settings

The instrument settings are copied with this function. The following functions are available:

- **Read from sensor:** Read data from sensor and store into the display and adjustment module
- **Write into sensor:** Store data from the display and adjustment module back into the sensor

The following data or settings for adjustment of the display and adjustment module are saved:

- All data of the menu "Setup" and "Display"
- In the menu "Additional adjustments" the items "Reset, Date/Time"
- The user-programmable linearization curve



The copied data are permanently saved in an EEPROM memory in the display and adjustment module and remain there even in case of power failure. From there, they can be written into one or more sensors or kept as backup for a possible electronics exchange.



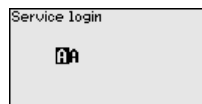
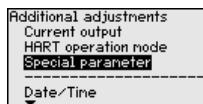
**Note:**

Before the data are saved in the sensor, a safety check is carried out to determine if the data match the sensor. In the process the sensor type of the source data as well as the target sensor are displayed. If the data do not match, a fault message is outputted or the function is blocked. The data are saved only after release.

### Special parameters

In this menu item you gain access to the protected area where you can enter special parameters. In exceptional cases, individual parameters can be modified in order to adapt the sensor to special requirements.

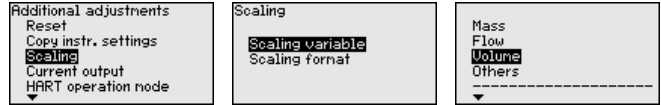
Change the settings of the special parameters only after having contacted our service staff.





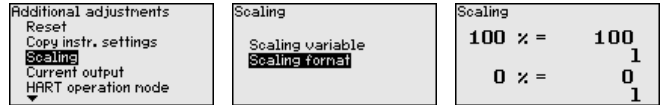
**Scaling (1)**

In menu item " *Scaling*" you define the scaling variable and the scaling unit for the level value on the display, e.g. volume in l.



**Scaling (2)**

In menu item " *Scaling (2)*" you define the scaling format on the display and the scaling of the measured level value for 0 % and 100 %.



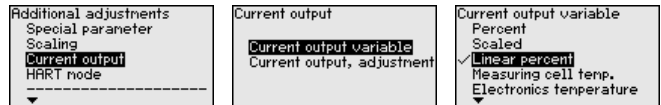
**Current output**

In the menu items " *Current output*" you determine the properties of the current output.

On instruments with integrated additional current output, the properties for each current output are adjusted individually. The following descriptions apply to both current outputs.

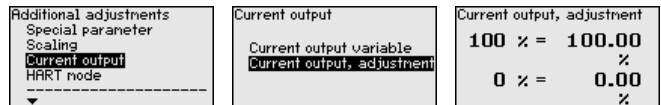
**Current output (meas. variable)**

In menu item " *Current output, variable*" you specify which measured variable is output via the current output.

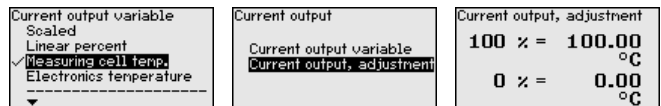


**Current output (adjustment)**

Depending on the selected measured variable, you assign in the menu item " *Current output, adjustment*" the measured values that 4 mA (0 %) and 20 mA (100 %) of the current output refer to.



If the measuring cell temperature is selected as measured variable, then e.g. 0 °C refers to 4 mA and 100 °C to 20 mA.



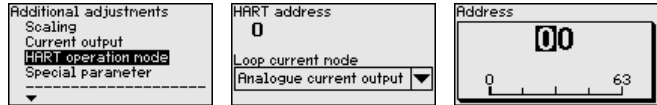
**HART mode**

The sensor offers the HART modes " *Analogue current output*" and " *Fix current (4 mA)*". In this menu item you determine the HART mode and enter the address with Multidrop mode.

In the mode " *Fixed current output*" up to 63 sensors can be operated on one two-wire cable (Multidrop operation). An address between 0 and 63 must be assigned to each sensor.

If you select the function "Analogue current output" and also enter an address number, you can output a 4 ... 20 mA signal in Multidrop mode.

In the mode "Fixed current (4 mA)" a fixed 4 mA signal is output independently of the actual level.

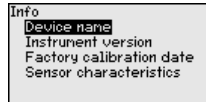


The setting in the delivery status is "Analogue current output" and the address 00.

### 6.5.5 Info

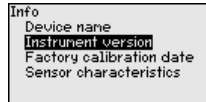
#### Device name

In this menu item, you can read out the instrument name and the instrument serial number:



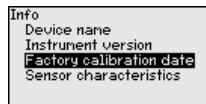
#### Instrument version

In this menu item, the hardware and software version of the sensor is displayed.



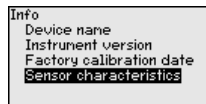
#### Factory calibration date

In this menu item, the date of factory calibration of the sensor as well as the date of the last change of sensor parameters are displayed via the display and adjustment module or via the PC.



#### Sensor characteristics

In this menu item, the features of the sensor such as approval, process fitting, seal, measuring range, electronics, housing and others are displayed.



## 6.6 Menu overview

The following tables show the adjustment menu of the instrument. Depending on the instrument version or application, all menu items may not be available or some may be differently assigned.

### Setup

Menu item	Parameter	Default value
Measurement loop name	19 alphanumeric characters/special characters	Sensor
Application	Level, process pressure	Level
	Secondary Device for electronic differential pressure <sup>2)</sup>	Deactivated
Units	Adjustment unit (m, bar, Pa, psi ... user-defined)	mbar (with nominal measuring range $\leq 400$ mbar) bar (with nominal measuring ranges $\geq 1$ bar)
	Temperature unit ( $^{\circ}\text{C}$ , $^{\circ}\text{F}$ )	$^{\circ}\text{C}$
Position correction	Offset	0.00 bar
Adjustment	Zero/Min. adjustment	0.00 bar 0.00 %
	Span/Max. adjustment	Nominal measuring range in bar 100.00 %
Damping	Integration time	1 s
Linearisation	Linear, cylindrical tank, ... user-defined	Linear
Current output	Current output - Mode	
	Output characteristics: 4 ... 20 mA, 20 ... 4 mA	4 ... 20 mA
	Failure mode: $\leq 3.6$ mA, $\geq 20$ mA, last measured value	$\leq 3.6$ mA
	Current output - Min./Max.	
	Min. current: 3.8 mA, 4 mA	3.8 mA
	Max. current: 20 mA, 20.5 mA	20.5 mA
Lock adjustment	Blocked, released	Released

### Display

Menu item	Default value
Menu language	Selected language
Displayed value 1	Pressure
Displayed value 2	Ceramic measuring cell: Measuring cell temperature in $^{\circ}\text{C}$ Metallic measuring cell: Electronics temperature in $^{\circ}\text{C}$
Display format	Number of positions after the decimal point, automatically
Backlight	Switched on

<sup>2)</sup> Parameter only active if the instrument is connected to the Secondary Device

**Diagnostics**

Menu item	Parameter	Default value
Device status		-
Peak indicator	Pressure	Current pressure measured value
Peak indicator temp.	Temperature	Actual measuring cell and electronic temperature
Simulation	Pressure, percent, current output, linearized percent, measuring cell temperature, electronics temperature	Process pressure

**Additional adjustments**

Menu item	Parameter	Default value
Date/Time		Actual date/Actual time
Reset	Delivery status, basic settings	
Copy instrument settings	Read from sensor, write into sensor	
Scaling	Scaling size	Volume in l
	Scaling format	0 % corresponds to 0 l 100 % corresponds to 100 l
Current output	Current output - Meas. variable	Lin. percent - Level
	Current output - Adjustment	0 ... 100 % correspond to 4 ... 20 mA
Current output 2	Current output - Meas. variable	Measuring cell temperature (ceramic measuring cell)
	Current output - Adjustment	0 ... 100 °C correspond to 4 ... 20 mA
HART mode	HART address, current output	Address 00, analogue current output
Special parameters	Service-Login	No reset

**Info**

Menu item	Parameter
Device name	VEGABAR 87
Instrument version	Hardware and software version
Factory calibration date	Date
Sensor characteristics	Order-specific characteristics

**6.7 Save parameter adjustment data****On paper**

We recommend writing down the adjustment data, e.g. in this operating instructions manual, and archiving them afterwards. They are thus available for multiple use or service purposes.

**In the display and adjustment module**

If the instrument is equipped with a display and adjustment module, the parameter adjustment data can be saved therein. The procedure is described in menu item " *Copy device settings*".

## 7 Setup with PACTware

### 7.1 Connect the PC

Via the interface adapter directly on the sensor

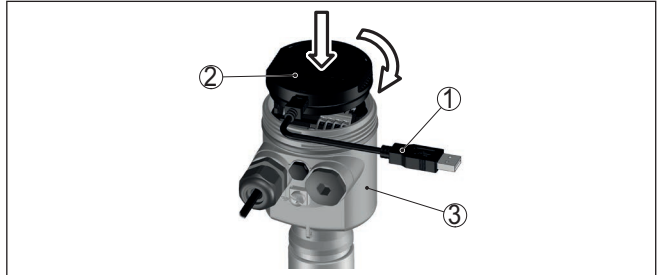


Fig. 31: Connection of the PC directly to the sensor via the interface adapter

- 1 USB cable to the PC
- 2 Interface adapter VEGACONNECT
- 3 Sensor

Via the interface adapter and HART

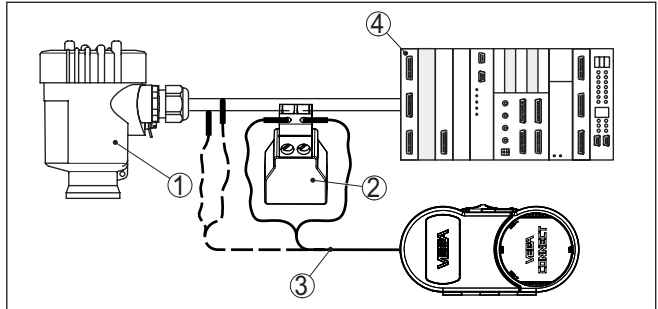


Fig. 32: Connecting the PC via HART to the signal cable

- 1 Sensor
- 2 HART resistance 250 Ω (optional depending on evaluation)
- 3 Connection cable with 2 mm pins and terminals
- 4 Processing system/PLC/Voltage supply
- 5 Interface adapter, for example VEGACONNECT 4



**Note:**

With power supply units with integrated HART resistance (internal resistance approx. 250 Ω), an additional external resistance is not necessary. This applies, e.g. to the VEGA instruments VEGAMET 381, VEGAMET 391. Common Ex separators are also usually equipped with a sufficient current limiting resistance. In such cases, the interface adapter can be connected parallel to the 4 ... 20 mA cable (dashed line in the previous illustration).

### 7.2 Parameterization

For parameter adjustment of the instrument via a Windows PC, the configuration software PACTware and a suitable instrument driver

**Prerequisites**

(DTM) according to FDT standard are required. The latest PACTware version as well as all available DTMs are compiled in a DTM Collection. The DTMs can also be integrated into other frame applications according to FDT standard.



### Note:

To ensure that all instrument functions are supported, you should always use the latest DTM Collection. Furthermore, not all described functions are included in older firmware versions. You can download the latest instrument software from our homepage. A description of the update procedure is also available in the Internet.

Further setup steps are described in the operating instructions manual "DTM Collection/PACTware" attached to each DTM Collection and which can also be downloaded from the Internet. Detailed descriptions are available in the online help of PACTware and the DTMs.

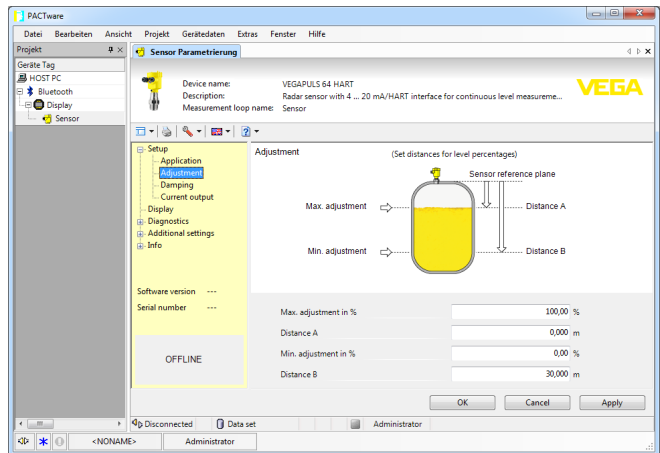


Fig. 33: Example of a DTM view

## 7.3 Save parameter adjustment data

We recommend documenting or saving the parameterisation data via PACTware. That way the data are available for multiple use or service purposes.

## 8 Set up with other systems

### 8.1 DD adjustment programs

Device descriptions as Enhanced Device Description (EDD) are available for DD adjustment programs such as, for example, AMS™ and PDM.

The files can be downloaded at [www.vega.com/downloads](http://www.vega.com/downloads) under "*Software*".

### 8.2 Field Communicator 375, 475

Device descriptions for the instrument are available as EDD for parameterisation with Field Communicator 375 or 475.

Integrating the EDD into the Field Communicator 375 or 475 requires the "Easy Upgrade Utility" software, which is available from the manufacturer. This software is updated via the Internet and new EDDs are automatically accepted into the device catalogue of this software after they are released by the manufacturer. They can then be transferred to a Field Communicator.

In the HART communication, the Universal Commands and a part of the Common Practice Commands are supported.

## 9 Diagnosis, asset management and service

### 9.1 Maintenance

#### Maintenance

If the device is used properly, no special maintenance is required in normal operation.

#### Precaution measures against buildup

In some applications, product buildup on the diaphragm can influence the measuring result. Depending on the sensor and application, take precautions to ensure that heavy buildup, and especially a hardening thereof, is avoided.

#### Cleaning

The cleaning helps that the type label and markings on the instrument are visible.

Take note of the following:

- Use only cleaning agents which do not corrode the housings, type label and seals
- Use only cleaning methods corresponding to the housing protection rating

### 9.2 Diagnosis memory

The instrument has several memories available for diagnostic purposes. The data remain there even in case of voltage interruption.

#### Measured value memory

Up to 100,000 measured values can be stored in the sensor in a ring memory. Each entry contains date/time as well as the respective measured value.

Depending on the instrument version, values that can be stored are for example:

- Level
- Process pressure
- Differential pressure
- Static pressure
- Percentage value
- Scaled values
- Current output
- Lin. percent
- Measuring cell temperature
- Electronics temperature

When the instrument is shipped, the measured value memory is active and stores pressure value and measuring cell temperature every 10 s, with electronic differential pressure also the static pressure.

The requested values and recording conditions are set via a PC with PACTware/DTM or the control system with EDD. Data are thus read out and also reset.

#### Event memory

Up to 500 events are automatically stored with a time stamp in the sensor (non-deletable). Each entry contains date/time, event type, event description and value.

Event types are for example:



- Modification of a parameter
- Switch-on and switch-off times
- Status messages (according to NE 107)
- Error messages (according to NE 107)

The data are read out via a PC with PACTware/DTM or the control system with EDD.

### 9.3 Asset Management function

The instrument features self-monitoring and diagnostics according to NE 107 and VDI/VDE 2650. In addition to the status messages in the following tables there are more detailed error messages available under the menu item "Diagnostics" via the respective adjustment module.

#### Status messages

The status messages are divided into the following categories:

- Failure
- Function check
- Out of specification
- Maintenance required

and explained by pictographs:

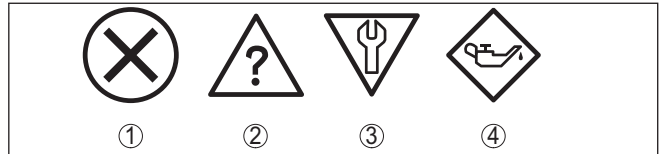


Fig. 34: Pictographs of the status messages

- 1 Failure - red
- 2 Out of specification - yellow
- 3 Function check - orange
- 4 Maintenance required - blue

#### Malfunction (Failure):

Due to a malfunction in the instrument, a fault signal is output.

This status message is always active. It cannot be deactivated by the user.

#### Function check:

The instrument is being worked on, the measured value is temporarily invalid (for example during simulation).

This status message is inactive by default.

#### Out of specification:

The measured value is unreliable because an instrument specification was exceeded (e.g. electronics temperature).

This status message is inactive by default.

#### Maintenance required:

Due to external influences, the instrument function is limited. The measurement is affected, but the measured value is still valid. Plan in

maintenance for the instrument because a failure is expected in the near future (e.g. due to buildup).

This status message is inactive by default.

## Failure

Code Text message	Cause	Rectification	DevSpec State in CMD 48
F013 No valid measured value available	Gauge pressure or low pressure Measuring cell defective	Exchange measuring cell Send instrument for repair	Byte 5, Bit 0 of Byte 0 ... 5
F017 Adjustment span too small	Adjustment not within specification	Change the adjustment according to the limit values	Byte 5, Bit 1 of Byte 0 ... 5
F025 Error in the linearization table	Index markers are not continuously rising, for example illogical value pairs	Check linearization table Delete table/Create new	Byte 5, Bit 2 of Byte 0 ... 5
F036 no operable sensor software	Failed or interrupted software update	Repeat software update Check electronics version Exchanging the electronics Send instrument for repair	Byte 5, Bit 3 of Byte 0 ... 5
F040 Error in the electronics	Hardware defect	Exchanging the electronics Send instrument for repair	Byte 5, Bit 4 of Byte 0 ... 5
F041 Communication error	No connection to the sensor electronics	Check connection between sensor and main electronics (with separate version)	-
F042 Communication error Secondary sensor	No connection to the Secondary sensor	Check connection between Primary and Secondary sensor	-
F080 General software error	General software error	Disconnect operating voltage briefly	Byte 5, Bit 5 of Byte 0 ... 5
F105 Measured value is determined	The instrument is still in the switch-on phase, the measured value could not yet be determined	Wait for the end of the switch-on phase	Byte 5, Bit 6 of Byte 0 ... 5
F113 Communication error	Error in the internal instrument communication	Disconnect operating voltage briefly Send instrument for repair	Byte 4, Bit 4 of Byte 0 ... 5
F260 Error in the calibration	Error in the calibration carried out in the factory Error in the EEPROM	Exchanging the electronics Send instrument for repair	Byte 4, Bit 0 of Byte 0 ... 5
F261 Error in the instrument settings	Error during setup Error when carrying out a reset	Repeat setup Repeat reset	Byte 4, Bit 1 of Byte 0 ... 5

<b>Code Text message</b>	<b>Cause</b>	<b>Rectification</b>	<b>DevSpec State in CMD 48</b>
F264 Installation/Setup error	Inconsistent settings (e.g.: distance, adjustment units with application process pressure) for selected application  Invalid sensor configuration (e.g.: application electronic differential pressure with connected differential pressure measuring cell)	Modify settings  Modify connected sensor configuration or application	Byte 4, Bit 2 of Byte 0 ... 5
F265 Measurement function disturbed	Sensor no longer carries out a measurement	Carry out a reset  Disconnect operating voltage briefly	Byte 4, Bit 3 of Byte 0 ... 5

**Function check**

<b>Code Text message</b>	<b>Cause</b>	<b>Rectification</b>	<b>DevSpec State in CMD 48</b>
C700 Simulation active	A simulation is active	Finish simulation  Wait for the automatic end after 60 mins.	"Simulation Active" in "Standardized Status 0"

*Tab. 9: Error codes and text messages, information on causes as well as corrective measures*

**Out of specification**

<b>Code Text message</b>	<b>Cause</b>	<b>Rectification</b>	<b>DevSpec State in CMD 48</b>
S600 Impermissible electronics temperature	Temperature of the electronics in the non-specified range	Check ambient temperature  Insulate electronics	Byte 23, Bit 0 of Byte 14 ... 24
S603 Impermissible operating voltage	Operating voltage below specified range	Check electrical connection  If necessary, increase operating voltage	-
S605 Impermissible pressure value	Measured process pressure below or above the adjustment range	Check nominal measuring range of the instrument  If necessary, use an instrument with a higher measuring range	-

**Maintenance**

<b>Code Text message</b>	<b>Cause</b>	<b>Rectification</b>	<b>DevSpec State in CMD 48</b>
M500 Error in the delivery status	The data could not be restored during the reset to delivery status	Repeat reset  Load XML file with sensor data into the sensor	Bit 0 of Byte 14 ... 24
M501 Error in the non-active linearisation table	Index markers are not continuously rising, for example illogical value pairs	Check linearization table  Delete table/Create new	Bit 1 of Byte 14 ... 24

Code Text message	Cause	Rectification	DevSpec State in CMD 48
M502 Error in the event memory	Hardware error EEPROM	Exchanging the electronics Send instrument for repair	Bit 2 of Byte 14 ... 24
M504 Error at a device interface	Hardware defect	Exchanging the electronics Send instrument for repair	Bit 3 of Byte 14 ... 24
M507 Error in the instrument settings	Error during setup Error when carrying out a reset	Carry out reset and repeat setup	Bit 4 of Byte 14 ... 24

## 9.4 Rectify faults

### Reaction when malfunction occurs

The operator of the system is responsible for taking suitable measures to rectify faults.

### Fault rectification

The first measures are:

- Evaluation of fault messages
- Checking the output signal
- Treatment of measurement errors

A smartphone/tablet with the adjustment app or a PC/notebook with the software PACTware and the suitable DTM offer you further comprehensive diagnostic possibilities. In many cases, the causes can be determined in this way and the faults eliminated.

### 4 ... 20 mA signal

Connect a multimeter in the suitable measuring range according to the wiring plan. The following table describes possible errors in the current signal and helps to eliminate them:

Error	Cause	Rectification
4 ... 20 mA signal not stable	Fluctuating measured value	Set damping
4 ... 20 mA signal missing	Electrical connection faulty	Check connection, correct, if necessary
	Voltage supply missing	Check cables for breaks; repair if necessary
	Operating voltage too low, load resistance too high	Check, adapt if necessary
Current signal greater than 22 mA, less than 3.6 mA	Sensor electronics defective	Replace device or send in for repair depending on device version

### Reaction after fault rectification

Depending on the reason for the fault and the measures taken, the steps described in chapter "Setup" must be carried out again or must be checked for plausibility and completeness.

### 24 hour service hotline

Should these measures not be successful, please call in urgent cases the VEGA service hotline under the phone no. **+49 1805 858550**.

The hotline is also available outside normal working hours, seven days a week around the clock.

Since we offer this service worldwide, the support is provided in English. The service itself is free of charge, the only costs involved are the normal call charges.

### 9.5 Exchange process module on version IP68 (25 bar)

On version IP68 (25 bar), the user can exchange the process module on site. Connection cable and external housing can be kept.

Required tools:

- Hexagon key wrench, size 2



**Caution:**

The exchange may only be carried out in the complete absence of line voltage.



In Ex applications, only a replacement part with appropriate Ex approval may be used.



**Caution:**

During exchange, protect the inner side of the parts against contamination and moisture.

Proceed as follows when carrying out the exchange:

1. Loosen the fixing screw with the hexagon key wrench
2. Carefully detach the cable assembly from the process module

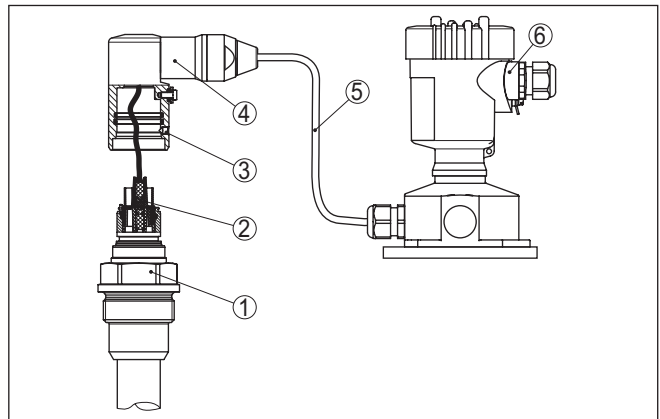


Fig. 35: VEGABAR 87 in IP68 version, 25 bar and lateral cable outlet, external housing

- 1 Process module
- 2 Plug connector
- 3 Cable assembly
- 4 Connection cable
- 5 External housing

3. Loosen the plug connector
4. Mount the new process module on the measuring point

5. Plug the connector back in
  6. Mount the cable assembly on the process module and turn it to the desired position
  7. Tighten the fixing screw with the hexagon key wrench
- The exchange is finished.

## 9.6 Exchanging the electronics module

In case of a defect, the user can replace the electronics module with another one of identical type.



In Ex applications, only instruments and electronics modules with appropriate Ex approval may be used.

You can find detailed information you need to carry out an electronics exchange in the handbook of the electronics module.

## 9.7 Software update

The following components are required to update the instrument software:

- Instrument
- Voltage supply
- Interface adapter VEGACONNECT
- PC with PACTware
- Current instrument software as file

You can find the current instrument software as well as detailed information on the procedure in the download area of our homepage: [www.vega.com](http://www.vega.com).

You can find information about the installation in the download file.



### Caution:

Instruments with approvals can be bound to certain software versions. Therefore make sure that the approval is still effective after a software update is carried out.

You can find detailed information in the download area at [www.vega.com](http://www.vega.com).

## 9.8 How to proceed if a repair is necessary

On our homepage you will find detailed information on how to proceed in the event of a repair.

So that we can carry out the repair quickly and without queries, generate a instrument return form there with the data of your device.

You will need:

- The serial number of the instrument
- A short description of the problem
- Details of the medium

Print the generated instrument return form.

Clean the instrument and pack it damage-proof.

Send the printed instrument return form and possibly a safety data sheet together with the device.

You will find the address for the return on the generated instrument return form.

## 10 Dismount

### 10.1 Dismounting steps

To remove the device, carry out the steps in chapters " *Mounting*" and " *Connecting to power supply*" in reverse.



**Warning:**

When dismantling, pay attention to the process conditions in vessels or pipelines. There is a risk of injury, e.g. due to high pressures or temperatures as well as aggressive or toxic media. Avoid this by taking appropriate protective measures.

### 10.2 Disposal



Pass the instrument on to a specialised recycling company and do not use the municipal collecting points.

Remove any batteries in advance, if they can be removed from the device, and dispose of them separately.

If personal data is stored on the old device to be disposed of, delete it before disposal.

If you have no way to dispose of the old instrument properly, please contact us concerning return and disposal.



## 11 Supplement

### 11.1 Technical data

#### Note for approved instruments

The technical data in the respective safety instructions which are included in delivery are valid for approved instruments (e.g. with Ex approval). These data can differ from the data listed herein, for example regarding the process conditions or the voltage supply.

All approval documents can be downloaded from our homepage.

#### Materials, weights, tensile force

##### Materials, wetted parts

Process fitting	316L
Transmitter	316L
Suspension cable	FEP
Seal, suspension cable	FKM, FEP
Connection tube	316L
Diaphragm	Alloy C276 (2.4819)
Protective cap	PFA
Seal for process fitting (in the scope of delivery)	
– Thread G1½ (DIN 3852-A)	Klingersil C-4400
– Threaded fitting	Klingersil C-4400

##### Materials, non-wetted parts

Isolating liquid	Essomarcil (medical white oil, FDA-approved)
Straining clamp	1.4301
Screw connection for suspension cable	316L
Sensor housing	
– Housing	Plastic PBT (Polyester), Aluminium AlSi10Mg (powder-coated, basis: Polyester), 316L
– Cable gland	PA, stainless steel, brass
– Cable gland: Seal, closure	NBR, PA
– Seal, housing lid	Silicone SI 850 R, NBR silicone-free
– Inspection window housing cover	Polycarbonate (UL-746-C listed), glass <sup>3)</sup>
– Ground terminal	316L
External housing - deviating materials	
– Housing and socket	Plastic PBT (Polyester), 316L
– Socket seal	EPDM
– Seal below wall mounting plate <sup>4)</sup>	EPDM
– Inspection window housing cover	Polycarbonate (UL-746-C listed)
Ground terminal	316Ti/316L

<sup>3)</sup> Glass with Aluminium and stainless steel (precision casting) housing

<sup>4)</sup> Only for 316L with 3A approval

Connection cable with IP68 (25 bar) version <sup>5)</sup>

- Cable cover PE, PUR
- Type label support on cable PE hard

### Materials, transmitter protection

- Transport and mounting protection PFA
- transport protection net PE

### Weights

- Basic weight 0.7 kg (1.543 lbs)
- Suspension cable 0.1 kg/m (0.07 lbs/ft)
- Connection tube 1.5 kg/m (1 lbs/ft)
- Straining clamp 0.2 kg (0.441 lbs)
- Threaded fitting 0.4 kg (0.882 lbs)

### Tensile force

- Tensile force suspension cable max. 500 N (112.4045 lbf)

### Torques

Max. torque for process fitting

- G1½ 200 Nm (147.5 lbf ft)

Max. torque for NPT cable glands and Conduit tubes

- Plastic housing 10 Nm (7.376 lbf ft)
- Aluminium/Stainless steel housing 50 Nm (36.88 lbf ft)

### Input variable

The specifications are only an overview and refer to the measuring cell. Limitations due to the material and version of the process fitting as well as the selected pressure type are possible. The specifications on the nameplate apply. <sup>6)</sup>

### Nominal measuring ranges and overload capability in bar/kPa

Nominal range	Overload capability	
	Maximum pressure	Minimum pressure
Gauge pressure		
0 ... +0.1 bar/0 ... +10 kPa	+15 bar/+1500 kPa	-1 bar/-100 kPa
0 ... +0.4 bar/0 ... +40 kPa	+25 bar/+2500 kPa	-1 bar/-100 kPa
0 ... +1 bar/0 ... +100 kPa	+25 bar/+2500 kPa	-1 bar/-100 kPa
0 ... +2.5 bar/0 ... +250 kPa	+25 bar/+2500 kPa	-1 bar/-100 kPa
0 ... +10 bar/0 ... +1000 kPa	+25 bar/+2500 kPa	-1 bar/-100 kPa
0 ... +25 bar/0 ... +2500 kPa	+25 bar/+2500 kPa	-1 bar/-100 kPa
Absolute pressure		
0 ... 1 bar/0 ... 100 kPa	25 bar/+2500 kPa	0 bar abs.

<sup>5)</sup> Between transmitter and external electronics housing.

<sup>6)</sup> Data on overload capability apply for reference temperature.

Nominal range	Overload capability	
	Maximum pressure	Minimum pressure
0 ... 2.5 bar/0 ... 250 kPa	25 bar/+2500 kPa	0 bar abs.
0 ... 10 bar/0 ... 1000 kPa	25 bar/+2500 kPa	0 bar abs.
0 ... 25 bar/0 ... 2500 kPa	25 bar/+2500 kPa	0 bar abs.

**Nominal measuring ranges and overload capacity in psi**

Nominal range	Overload capability	
	Maximum pressure	Minimum pressure
Gauge pressure		
0 ... +1.5 psig	+225 psig	-14.51 psig
0 ... +5 psig	+360 psig	-14.51 psig
0 ... +15 psig	+360 psig	-14.51 psig
0 ... +30 psig	+360 psig	-14.51 psig
0 ... +150 psig	+360 psig	-14.51 psig
0 ... +300 psig	+360 psig	-14.51 psig
Absolute pressure		
0 ... 15 psi	360 psi	0 psi
0 ... 30 psi	360 psi	0 psi
0 ... 150 psi	360 psi	0 psi
0 ... 300 psi	360 psi	0 psi

**Adjustment ranges**

Specifications refer to the nominal measuring range, pressure values lower than -1 bar cannot be set

Min./Max. adjustment:

- Percentage value -10 ... 110 %
- Pressure value -20 ... 120 %

Zero/Span adjustment:

- Zero -20 ... +95 %
- Span -120 ... +120 %
- Difference between zero and span max. 120 % of the nominal range

Max. permissible Turn Down Unlimited (recommended 20 : 1)

**Switch-on phase**

Start-up time with operating voltage  $U_B$

- $\geq 12$  V DC  $\leq 9$  s
- $< 12$  V DC  $\leq 22$  s
- Starting current (for run-up time)  $\leq 3.6$  mA

**Output variable**

For details on the operating voltage see chapter "Voltage supply"

Output signal	4 ... 20 mA/HART
Range of the output signal	3.8 ... 20.5 mA/HART (default setting)
Fulfilled HART specification	7.3
Signal resolution	0.3 $\mu$ A
Fault signal, current output (adjustable)	$\leq 3.6$ mA, $\geq 21$ mA, last measured value <sup>7)</sup>
Max. output current	21.5 mA
Load	See load resistance under Power supply
Starting current	$\leq 10$ mA for 5 ms after switching on, $\leq 3.6$ mA
Damping (63 % of the input variable), adjustable	0 ... 999 s
HART output values according to HART 7 (default setting) <sup>8)</sup>	
– First HART value (PV)	Linear percentage value
– Second HART value (SV)	Measuring cell temperature (ceramic measuring cell)
– Third HART value (TV)	Pressure
– Fourth HART value (QV)	Electronics temperature

**Output variable - Additional current output**

For details on the operating voltage see chapter "Voltage supply"

Output signal	4 ... 20 mA (passive)
Range of the output signal	3.8 ... 20.5 mA (default setting)
Signal resolution	0.3 $\mu$ A
Fault signal, current output (adjustable)	Last valid measured value, $\geq 21$ mA, $\leq 3.6$ mA
Max. output current	21.5 mA
Starting current	$\leq 10$ mA for 5 ms after switching on, $\leq 3.6$ mA
Load	Load resistor, see chapter "Voltage supply"
Damping (63 % of the input variable), adjustable	0 ... 999 s

**Dynamic behaviour output**

Dynamic characteristics depending on medium and temperature

<sup>7)</sup> Last measured value not possible with SIL.

<sup>8)</sup> The output values can be assigned individually.

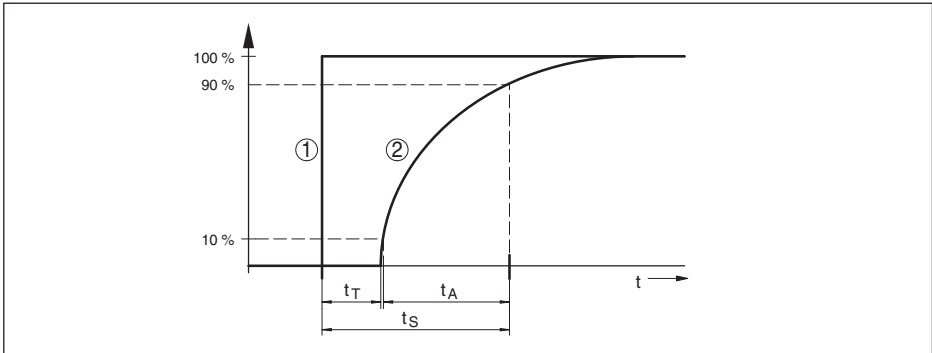


Fig. 36: Behaviour in case of sudden change of the process variable.  $t_T$ : dead time;  $t_A$ : rise time;  $t_S$ : jump response time

- 1 Process variable
- 2 Output signal

Dead time	≤ 50 ms
Rise time	≤ 150 ms
Step response time	≤ 200 ms (ti: 0 s, 10 ... 90 %)
Damping (63 % of the input variable)	0 ... 999 s, adjustable via menu item "Damping"

**Additional output parameter - Measuring cell temperature**

Range	-60 ... +150 °C (-76 ... +302 °F)
Resolution	< 0.2 K
Deviation	
- Range of 0 ... +100 °C (+32 ... +212 °F)	±2 K
- Range of -60 ... 0 °C (-76 ... +32 °F) and +100 ... +150 °C (+212 ... +302 °F)	typ. ±4 K

Output of the temperature values

- Indication	Via the display and adjustment module
- Analogue	Via the current output, the additional current output
- Digital	Via the digital output signal (depending on the electronics version)

**Reference conditions and influencing variables (according to DIN EN 60770-1)**

Reference conditions according to DIN EN 61298-1

- Temperature	+15 ... +25 °C (+59 ... +77 °F)
- Relative humidity	45 ... 75 %
- Air pressure	860 ... 1060 mbar/86 ... 106 kPa (12.5 ... 15.4 psig)
Determination of characteristics	Limit point adjustment according to IEC 61298-2
Characteristic curve	Linear
Reference installation position	upright, diaphragm points downward

45044-EN-230914

Influence of the installation position	< 0.2 mbar/20 Pa (0.003 psig)
Deviation in the current output due to strong, high-frequency electromagnetic fields acc. to EN 61326-1	< $\pm 150 \mu\text{A}$

### Deviation (according to IEC 60770-1)

Applies to the **digital** signal output (HART, Profibus PA, Foundation Fieldbus) as well as to the **analogue** current output 4 ... 20 mA and refers to the set span. Turn down (TD) is the ratio "nominal measuring range/set span".

The specified values correspond to the value  $F_{ki}$  in chapter " *Calculation of the total deviation*".

Accuracy class	Non-linearity, hysteresis and repeatability with TD 1 : 1 up to 5 : 1	Non-linearity, hysteresis and repeatability with 5 : 1
0.1 %	< 0.1 %	< 0.02 % x TD

### Influence of the medium or ambient temperature

#### Thermal change zero signal and output span through product temperature

Applies to the **digital** signal output (HART, Profibus PA, Foundation Fieldbus) as well as to the **analogue** current output 4 ... 20 mA and refers to the set span. Turn down (TD) is the ratio "nominal measuring range/set span".

The thermal change of the zero signal and output span corresponds to the value  $F_T$  in chapter " *Calculation of the total deviation (according to DIN 16086)*".

#### Ceramic/Metal measuring cell - Standard

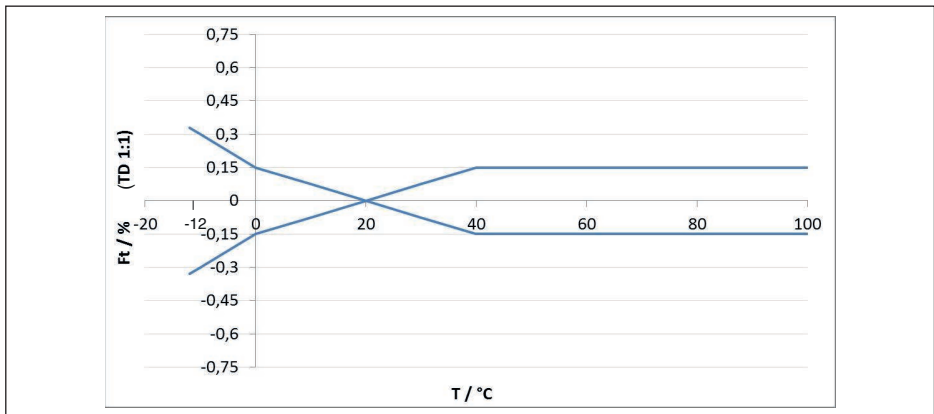


Fig. 37: Basic temperature error  $F_{TBasis}$  at TD 1 : 1

The basic temperature error in % from the above graphic can increase due to the additional factors, depending on the measuring cell version (factor FMZ) and the Turn Down (factor FTD). The additional factors are listed in the following tables.

**Additional factor through measuring cell version**

Measuring cell version	Measuring cell - Standard	Measuring cell climate-compensated, depending on measuring range		
	0.1 %	10 bar, 25 bar	1 bar, 2.5 bar	0.4 bar
Factor FMZ	1	1	2	3

**Additional factor through Turn Down**

The additional factor  $F_{TD}$  through Turn down is calculated according to the following formula:

$$F_{TD} = 0.5 \times TD + 0.5$$

In the table, example values for typical Turn downs are listed.

Turn Down	TD 1 : 1	TD 2.5 : 1	TD 5 : 1	TD 10 : 1	TD 20 : 1
Factor FTD	1	1.75	3	5.5	10.5

**Thermal change current output through ambient temperature**

Applies also to the **analogue** 4 ... 20 mA current output and refers to the set span.

Thermal change, current output < 0.05 %/10 K, max. < 0.15 %, each with -40 ... +80 °C (-40 ... +176 °F)

The thermal change of the current output corresponds to the value  $F_a$  in chapter "Calculation of the total deviation (according to DIN 16086)".

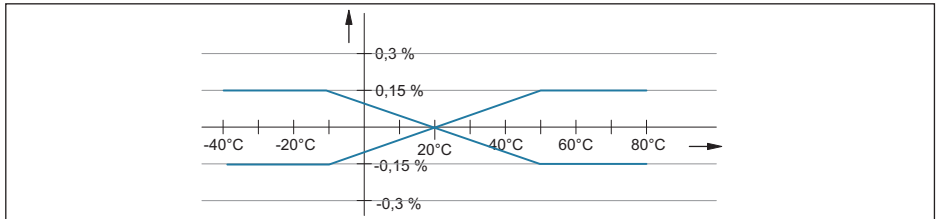


Fig. 38: Thermal change, current output

**Long-term stability (according to DIN 16086)**

Applies to the respective **digital** signal output (e.g. HART, Profibus PA) as well as to **analogue** current output 4 ... 20 mA under reference conditions. Specifications refer to the set span. Turn down (TD) is the ratio nominal measuring range/set span.

**Long-term stability zero signal and output span**

Time period	All measuring ranges	Measuring range 0 ... +0.025 bar/0 ... +2.5 kPa
One year	< 0.05 % x TD	< 0.1 % x TD
Five years	< 0.1 % x TD	< 0.2 % x TD
Ten years	< 0.2 % x TD	< 0.4 % x TD

45044-EN-230914

**Long-term stability zero signal and output span - version climate-compensated**

Nominal measuring range in bar/kPa	Nominal measuring range in psig	
0 ... 10 bar/0 ... 1000 kPa	0 ... 150 psig	< (0.1 % x TD)/year
0 ... 25 bar/0 ... 2500 kPa	0 ... 350 psig	
0 ... 1 bar/0 ... 100 kPa	0 ... 15 psig	< (0.25 % x TD)/year
0 ... 2.5 bar/0 ... 250 kPa	0 ... 35 psig	
0 ... 0.4 bar/0 ... 40 kPa	0 ... 6 psig	< (1 % x TD)/year

**Ambient conditions**

Version	Ambient temperature	Storage and transport temperature
Version with connection tube	-40 ... +80 °C (-40 ... +176 °F)	-60 ... +80 °C (-76 ... +176 °F)
Version with FEP suspension cable	-20 ... +80 °C (-4 ... +176 °F)	-20 ... +80 °C (-4 ... +176 °F)
Version IP68 (1 bar) with connection cable PE	-20 ... +60 °C (-4 ... +140 °F)	-20 ... +60 °C (-4 ... +140 °F)

**Process conditions****Process temperature**

Process temperature

- Suspension cable -12 ... +100 °C (+10 ... +212 °F)
- Connection tube -12 ... +100 °C (+10 ... +212 °F)

**Process pressure**Permissible process pressure see specification " *process pressure*" on the type label**Mechanical stress<sup>9)</sup>**

Vibration resistance

- Suspension cable 4 g at 5 ... 200 Hz according to EN 60068-2-6 (vibration with resonance)
- Connection tube 1 g (with lengths > 0.5 m (1.64 ft), the tube must be supported in addition)

Shock resistance

50 g, 2.3 ms according to EN 60068-2-27 (mechanical shock)<sup>10)</sup>**Electromechanical data - version IP66/IP67 and IP66/IP68 (0.2 bar)<sup>11)</sup>**

Options of the cable entry

- Cable entry M20 x 1.5; ½ NPT
- Cable gland M20 x 1.5; ½ NPT (cable ø see below table)
- Blind plug M20 x 1.5; ½ NPT
- Closing cap ½ NPT

<sup>9)</sup> Depending on the instrument version.<sup>10)</sup> 2 g with housing version stainless steel double chamber.<sup>11)</sup> IP66/IP68 (0.2 bar), only with absolute pressure.



Material cable gland/Seal insert	Cable diameter			
	5 ... 9 mm	6 ... 12 mm	7 ... 12 mm	10 ... 14 mm
PA/NBR	√	√	–	√
Brass, nickel-plated/NBR	√	√	–	–
Stainless steel/NBR	–	–	√	–

Wire cross-section (spring-loaded terminals)

- Massive wire, stranded wire 0.2 ... 2.5 mm<sup>2</sup> (AWG 24 ... 14)
- Stranded wire with end sleeve 0.2 ... 1.5 mm<sup>2</sup> (AWG 24 ... 16)

### Electromechanical data - version IP68 (25 bar)

Connection cable transmitter - external housing, mechanical data

- Configuration Wires, strain relief, breather capillaries, screen braiding, metal foil, mantle <sup>12)</sup>
- Standard length 5 m (16.40 ft)
- Max. length 180 m (590.5 ft)
- Min. bending radius at 25 °C/77 °F 25 mm (0.985 in)
- Diameter approx. 8 mm (0.315 in)
- Material PE, PUR
- Colour Black, blue

Connection cable transmitter - external housing, electrical data

- Wire cross-section 0.5 mm<sup>2</sup> (AWG 20)
- Wire resistance 0.037 Ω/m (0.012 Ω/ft)

### Electromechanical data - version suspension cable IP68 (25 bar)

Suspension cable, mechanical data

- Configuration Wires, strain relief, breather capillaries, screen braiding, metal foil, mantle
- Standard length 5 m (16.40 ft)
- Max. length 250 m (820.2 ft)
- Min. bending radius (at 25 °C/77 °F) 25 mm (0.985 in)
- Diameter approx. 8 mm (0.315 in)
- Colour, suspension cable PE Black, blue
- Colour, suspension cable PUR/FEP Blue

Suspension cable, electrical data

- Wire cross-section 0.5 mm<sup>2</sup> (AWG 20)
- Wire resistance R 0.037 Ω/m (0.012 Ω/ft)

### Interface to the external display and adjustment unit

Data transmission	Digital (I <sup>2</sup> C-Bus)
Connection cable	Four-wire

<sup>12)</sup> Breather capillaries not with Ex d version.

Sensor version	Configuration, connection cable		
	Cable length	Standard cable	Shielded
4 ... 20 mA/HART Modbus	50 m	●	-
Profibus PA, Foundation Fieldbus	25 m	-	●

### Interface to the Secondary sensor

Data transmission	Digital (I <sup>2</sup> C-Bus)
Configuration, connection cable	4-wire, shielded
Max. cable length	70 m (229.7 ft)

### Integrated clock

Date format	Day.Month.Year
Time format	12 h/24 h
Time zone, factory setting	CET
Max. rate deviation	10.5 min/year

### Additional output parameter - Electronics temperature

Range	-40 ... +85 °C (-40 ... +185 °F)
Resolution	< 0.1 K
Deviation	± 3 K
Availability of the temperature values	
- Indication	Via the display and adjustment module
- Output	Via the respective output signal

### Voltage supply

Operating voltage $U_B$	9.6 ... 35 V DC
Operating voltage $U_B$ with lighting switched on	16 ... 35 V DC
Reverse voltage protection	Integrated
Permissible residual ripple	
- for $U_N$ 12 V DC ( $9.6 \text{ V} < U_B < 14 \text{ V}$ )	$\leq 0.7 V_{\text{eff}}$ (16 ... 400 Hz)
- for $U_N$ 24 V DC ( $18 \text{ V} < U_B < 35 \text{ V}$ )	$\leq 1.0 V_{\text{eff}}$ (16 ... 400 Hz)
Load resistor	
- Calculation	$(U_B - U_{\text{min}})/0.022 \text{ A}$
- Example - with $U_B = 24 \text{ V DC}$	$(24 \text{ V} - 9.6 \text{ V})/0.022 \text{ A} = 655 \Omega$

### Voltage supply - sensor with integrated PLICSMOBILE 81

Operating voltage <sup>13)</sup>	9.6 ... 32 V DC
----------------------------------	-----------------

<sup>13)</sup> When the instrument is powered by an external voltage supply, make sure the voltage supply unit has a sufficient current carrying capacity. With a voltage supply < 9.6 V, current peaks of up to 2 A must be expected.

Power consumption <sup>14)</sup>

- Power saving mode (9 V/12 V)                    0.18 mW/0.3 mW
- Power saving mode (24 V/32 V)                1.8 mW/3.7 mW
- Permanent operation                            1.1 W
- Peak power (measured value trans-  
mission)    11 W

Power requirement <sup>15)</sup>

- Measurement cycle incl. transmission    15 mWh

Sensor power supply

- Off-load voltage                                    31 V
- Max. current                                        80 mA

**Potential connections and electrical separating measures in the instrument**

Electronics    Non-floating

Galvanic separation

- between electronics and metallic parts    Reference voltage 500 V AC  
of the device

Conductive connection                        Between ground terminal and metallic process fitting

**Electrical protective measures <sup>16)</sup>**

Housing material	Version	Protection acc. to IEC 60529	Protection acc. to NEMA
Plastic	Single chamber	IP66/IP67	Type 4X
	Double chamber		
Aluminium	Single chamber	IP66/IP67 IP66/IP68 (0.2 bar) IP66/IP68 (1 bar)	Type 4X Type 6P Type 6P
	Double chamber	IP66/IP67 IP66/IP68 (0.2 bar)	Type 4X Type 6P
Stainless steel (electro-polished)	Single chamber	IP66/IP67 IP69K	Type 4X
Stainless steel (precision casting)	Single chamber	IP66/IP67 IP66/IP68 (0.2 bar) IP66/IP68 (1 bar)	Type 4X Type 6P Type 6P
	Double chamber	IP66/IP67 IP66/IP68 (0.2 bar)	Type 4X Type 6P
Stainless steel	Transmitter, version with external housing	IP68 (25 bar)	-

<sup>14)</sup> The listed power specifications include the voltage supply of a HART sensor with 20 mA.

<sup>15)</sup> The listed energy requirement includes the voltage supply of a HART sensor with 4 mA (multidrop mode) and 12 V operating voltage.

<sup>16)</sup> Protection rating IP66/IP68 (0.2 bar) only in conjunction with absolute pressure, as no air compensation is possible when the sensor is completely flooded

Connection of the feeding power supply unit	Networks of overvoltage category III
Altitude above sea level	
– by default	up to 2000 m (6562 ft)
– with connected overvoltage protection	up to 5000 m (16404 ft)
Pollution degree <sup>17)</sup>	2
Protection rating (IEC/EN 61010-1)	II

## 11.2 Calculation of the total deviation

The total deviation of a pressure transmitter indicates the maximum measurement error to be expected in practice. It is also called maximum practical deviation or operational error.

According to DIN 16086, the total deviation  $F_{\text{total}}$  is the sum of the basic deviation  $F_{\text{perf}}$  and the long-term stability  $F_{\text{stab}}$ :

$$F_{\text{total}} = F_{\text{perf}} + F_{\text{stab}}$$

The basic deviation  $F_{\text{perf}}$  in turn consists of the thermal change of the zero signal and the output span  $F_T$  (temperature error) as well as the deviation  $F_{K1}$ :

$$F_{\text{perf}} = \sqrt{(F_T)^2 + (F_{K1})^2}$$

The thermal change of zero signal and output span  $F_T$  is specified in chapter " *Technical data*". The basic temperature error  $F_T$  is shown in a graphic. Depending on the measuring cell version and Turn down, this value must be multiplied with the additional factors FMZ and FTD:

$$F_T \times \text{FMZ} \times \text{FTD}$$

Also these values are specified in chapter " *Technical data*".

This applies initially to the digital signal output through HART, Profibus PA, Foundation Fieldbus or Modbus.

With 4 ... 20 mA output, the thermal change of the current output  $F_a$  must be added:

$$F_{\text{perf}} = \sqrt{(F_T)^2 + (F_{K1})^2 + (F_a)^2}$$

To provide a better overview, the formula symbols are listed together below:

- $F_{\text{total}}$ : Total deviation
- $F_{\text{perf}}$ : Basic deviation
- $F_{\text{stab}}$ : Long-term stability
- $F_T$ : Thermal change of zero signal and output span (temperature error)
- $F_{K1}$ : Deviation
- $F_a$ : Thermal change of the current output
- FMZ: Additional factor measuring cell version
- FTD: Additional factor Turn down

## 11.3 Practical example

### Data

Level measurement in a water reservoir, 1,600 mm height corresponds to 0.157 bar (157 kPa), medium temperature 50 °C

VEGABAR 87 with measuring range 0.4 bar, deviation < 0.1 %, meas. cell  $\varnothing$  28 mm

### 1. Calculation of the Turn down

$$\text{TD} = 0.4 \text{ bar} / 0.157 \text{ bar}, \text{TD} = \mathbf{2.6 : 1}$$

<sup>17)</sup> When used with fulfilled housing protection.

**2. Determination temperature error  $F_T$**

The necessary values are taken from the technical data:

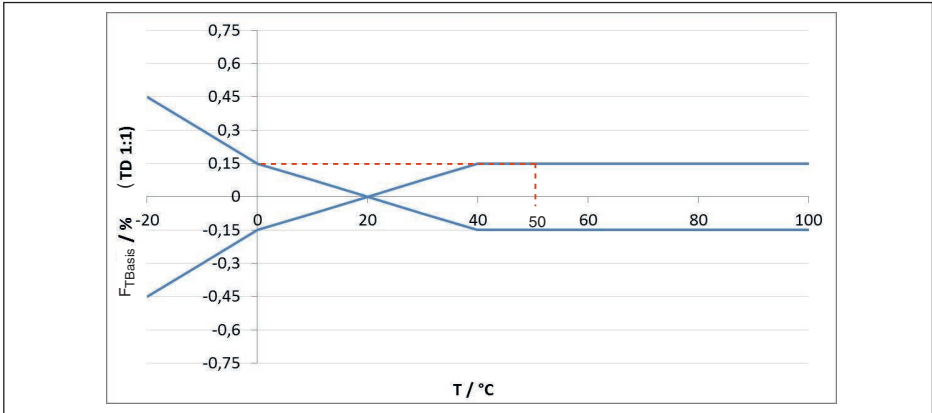


Fig. 39: Determination of the basic temperature error for the above example:  $F_{TBasis} = 0.15\%$

Measuring cell version	Measuring cell - Standard	Measuring cell climate-compensated, depending on measuring range		
	0.1 %	10 bar, 25 bar	1 bar, 2.5 bar	0.4 bar
Factor FMZ	1	1	2	3

Tab. 24: Determination of the additional factor measuring cell for above example:  $F_{MZ} = 1$

Turn Down	TD 1 : 1	TD 2.5 : 1	TD 5 : 1	TD 10 : 1	TD 20 : 1
Factor FTD	1	1.75	3	5.5	10.5

Tab. 25: Determination of the additional factor "turn down" for the above example:  $F_{TD} = 1.75$

$$F_T = F_{TBasis} \times F_{MZ} \times F_{TD}$$

$$F_T = 0.15\% \times 1 \times 1.75$$

$$F_T = 0.26\%$$

**3. Determination of deviation and long-term stability**

The required values for deviation  $F_{KI}$  and long-term stability  $F_{stab}$  are available in the technical data:

Accuracy class	Non-linearity, hysteresis and non-repeatability	
	TD ≤ 5 : 1	TD > 5 : 1
0.1 %	< 0.1 %	< 0.02 % x TD

Tab. 26: Determination of the deviation from table:  $F_{KI} = 0.1\%$

## VEGABAR 86

Time period	Measuring cell ø 28 mm		Measuring cell ø 17.5 mm
	All measuring ranges	Measuring range 0 ... +0.025 bar/0 ... +2.5 kPa	
One year	< 0.05 % x TD	< 0.1 % x TD	< 0.1 % x TD
Five years	< 0.1 % x TD	< 0.2 % x TD	< 0.2 % x TD
Ten years	< 0.2 % x TD	< 0.4 % x TD	< 0.4 % x TD

## VEGABAR 87

Time period	All measuring ranges	Measuring range 0 ... +0.025 bar/0 ... +2.5 kPa
One year	< 0.05 % x TD	< 0.1 % x TD
Five years	< 0.1 % x TD	< 0.2 % x TD
Ten years	< 0.2 % x TD	< 0.4 % x TD

Tab. 27: Determination of the long-term stability from the table, consideration for one year:  $F_{stab} = 0.05 \% \times TD = 0.05 \% \times 2.6 = 0.13 \%$

## 4. Calculation of the total deviation - HART signal

- 1. step: Basic accuracy  $F_{perf}$ 

$$F_{perf} = \sqrt{((F_T)^2 + (F_{KI})^2)}$$

$$F_T = 0.26 \%$$

$$F_{KI} = 0.1 \%$$

$$F_{perf} = \sqrt{(0.26 \%)^2 + (0.1 \%)^2}$$

$$F_{perf} = 0.28 \%$$

- 2. step: Total deviation  $F_{total}$ 

$$F_{total} = F_{perf} + F_{stab}$$

$$F_{perf} = 0.28 \%$$
 (result of step 1)

$$F_{stab} = (0.05 \% \times TD)$$

$$F_{stab} = (0.05 \% \times 2.5)$$

$$F_{stab} = 0.13 \%$$

$$F_{total} = 0.28 \% + 0.13 \% = 0.41 \%$$

## 5. Calculation of the total deviation - 4 ... 20 mA signal

- 1. step: Basic accuracy  $F_{perf}$ 

$$F_{perf} = \sqrt{((F_T)^2 + (F_{KI})^2 + (F_a)^2)}$$

$$F_T = 0.26 \%$$

$$F_{KI} = 0.2 \%$$

$$F_a = 0.15 \%$$

$$F_{perf} = \sqrt{(0.26 \%)^2 + (0.1 \%)^2 + (0.15 \%)^2}$$

$$F_{perf} = 0.32 \%$$

- 2. step: Total deviation  $F_{total}$ 

$$F_{total} = F_{perf} + F_{stab}$$

$$F_{\text{stab}} = (0.05 \% \times \text{TD})$$

$$F_{\text{stab}} = (0.05 \% \times 2.5)$$

$$F_{\text{stab}} = 0.13 \%$$

$$F_{\text{total}} = 0.32 \% + 0.13 \% = 0.45 \%$$

The total deviation of the measuring system is hence 0.45 %.

Deviation in mm: 0.45 % of 1600 mm = 7 mm

The example shows that the measurement error in practice can be considerably higher than the basic accuracy. Reasons are temperature influence and Turn down.

The thermal change of the current output is in this example is negligible.

### 11.4 Dimensions

The following dimensional drawings represent only an extract of the possible versions. Detailed dimensional drawings can be downloaded at [www.vega.com](http://www.vega.com) under "Downloads" and "Drawings".

#### Plastic housing

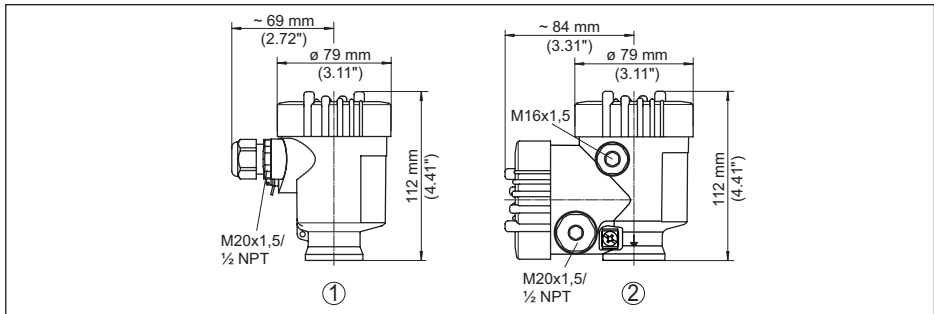


Fig. 40: Housing versions in protection IP66/IP67 (with integrated display and adjustment module the housing is 9 mm/0.35 in higher)

- 1 Plastic single chamber
- 2 Plastic double chamber

### Aluminium housing

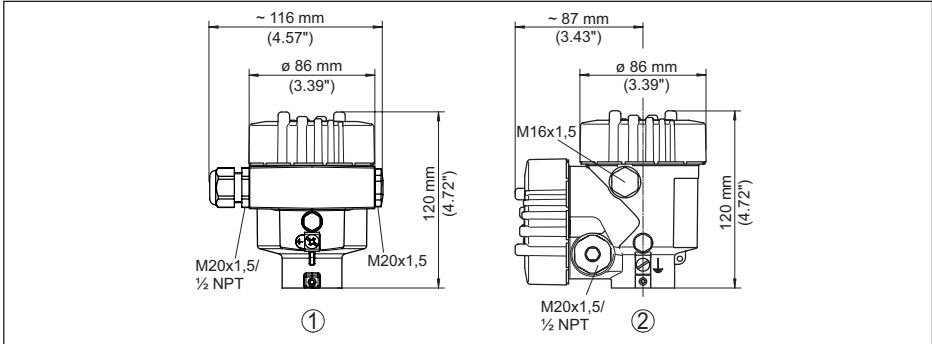


Fig. 41: Housing versions with protection rating IP66/IP68 (0.2 bar), (with integrated display and adjustment module the housing is 18 mm/0.71 in higher)

- 1 Aluminium - single chamber
- 2 Aluminium - double chamber

### Aluminium housing with protection rating IP66/IP68 (1 bar)

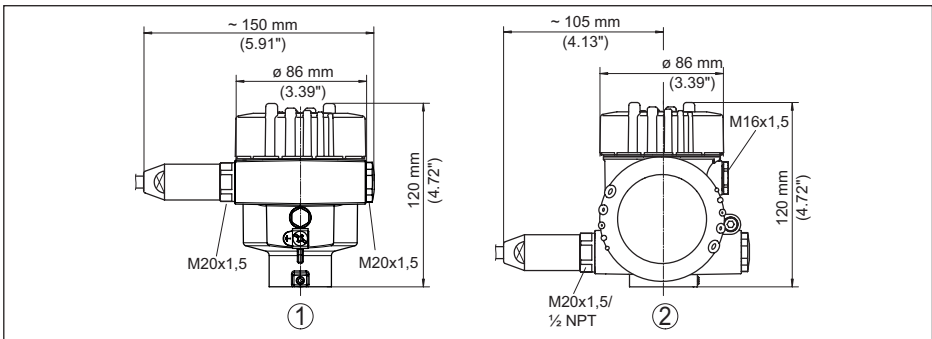


Fig. 42: Housing version with protection rating IP66/IP68 (1 bar), (with integrated display and adjustment module the housing is 18 mm/0.71 in higher)

- 1 Aluminium - single chamber
- 2 Aluminium - double chamber



**Stainless steel housing**

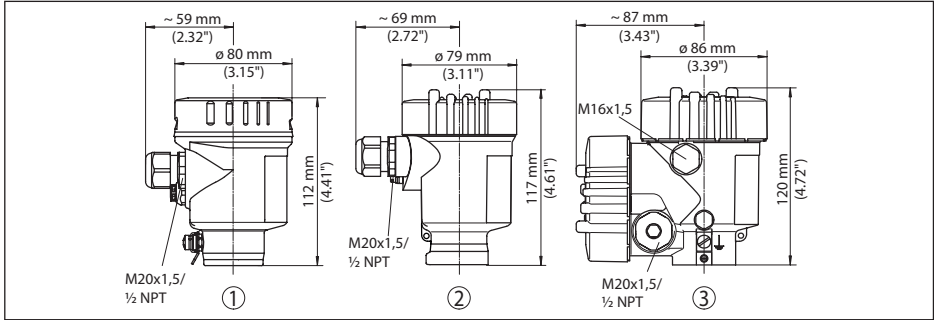


Fig. 43: Housing versions in protection rating IP66/IP68 (0.2 bar), (with integrated display and adjustment module the housing is 9 mm/0.35 in or 18 mm/0.71 in higher)

- 1 Stainless steel single chamber (electropolished)
- 2 Stainless steel single chamber (precision casting)
- 2 Stainless steel double chamber (precision casting)

**Stainless steel housing with protection rating IP66/IP68 (1 bar)**

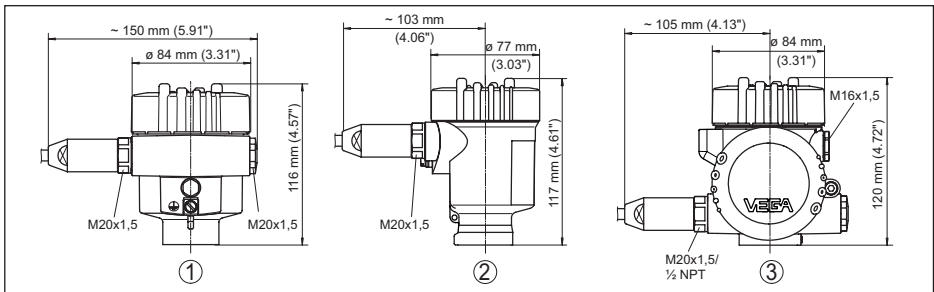


Fig. 44: Housing versions in protection rating IP66/IP68 (1 bar), (with integrated display and adjustment module the housing is 9 mm/0.35 in or 18 mm/0.71 in higher)

- 1 Stainless steel single chamber (electropolished)
- 2 Stainless steel single chamber (precision casting)
- 3 Stainless steel double chamber (precision casting)

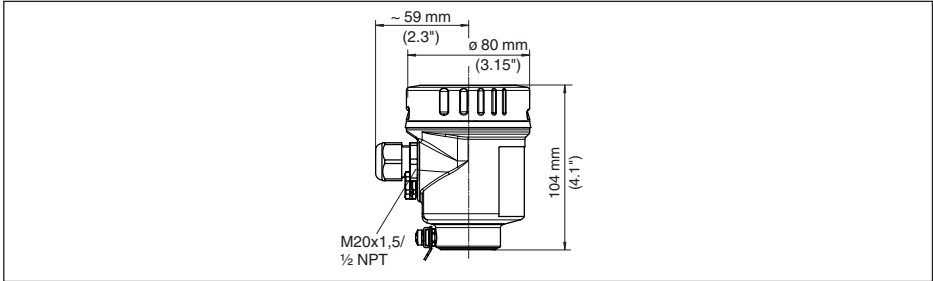
**Stainless steel housing with protection rating IP69K**

Fig. 45: Housing version with protection rating IP69K (with integrated display and adjustment module the housing is 9 mm/0.35 in higher)

- 1 Stainless steel single chamber (electropolished)

External housing on IP68 version

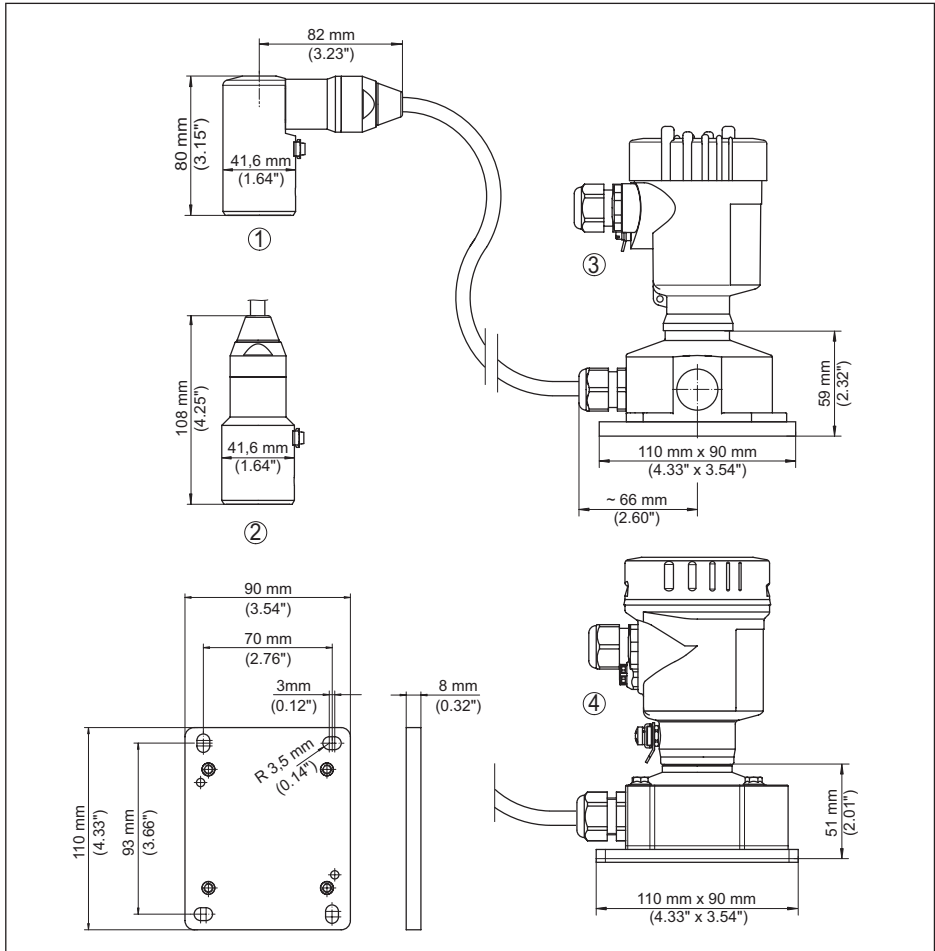


Fig. 46: VEGABAR 87, IP68 version with external housing

- 1 Lateral cable outlet
- 2 Axial cable outlet
- 3 Plastic single chamber
- 4 Stainless steel single chamber
- 5 Seal 2 mm (0.079 in), (only with 3A approval)

## VEGABAR 87

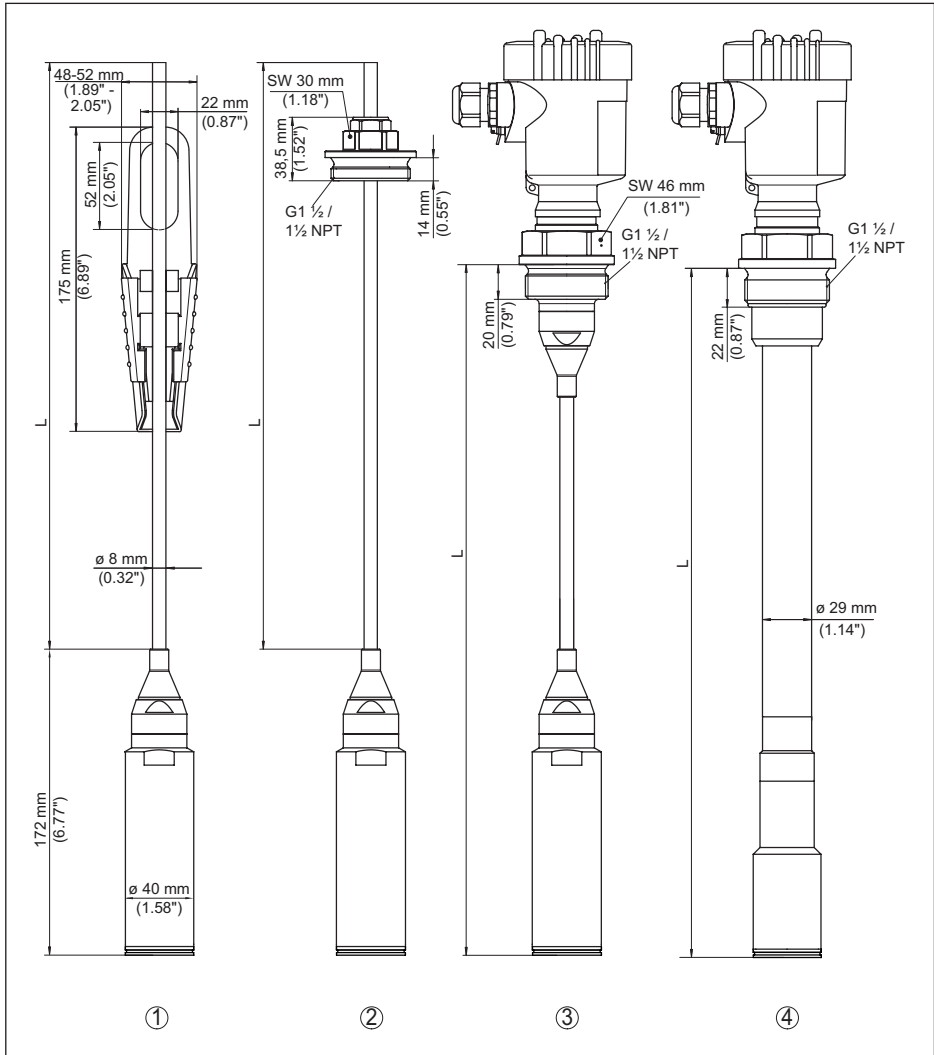


Fig. 47: VEGABAR 87, standard fittings

- 1 Straining clamp
  - 2 Threaded fitting
  - 3 Thread G1 1/2
  - 4 Thread 1 1/2 NPT
- L Total length from configurator

VEGABAR 87, flange connection

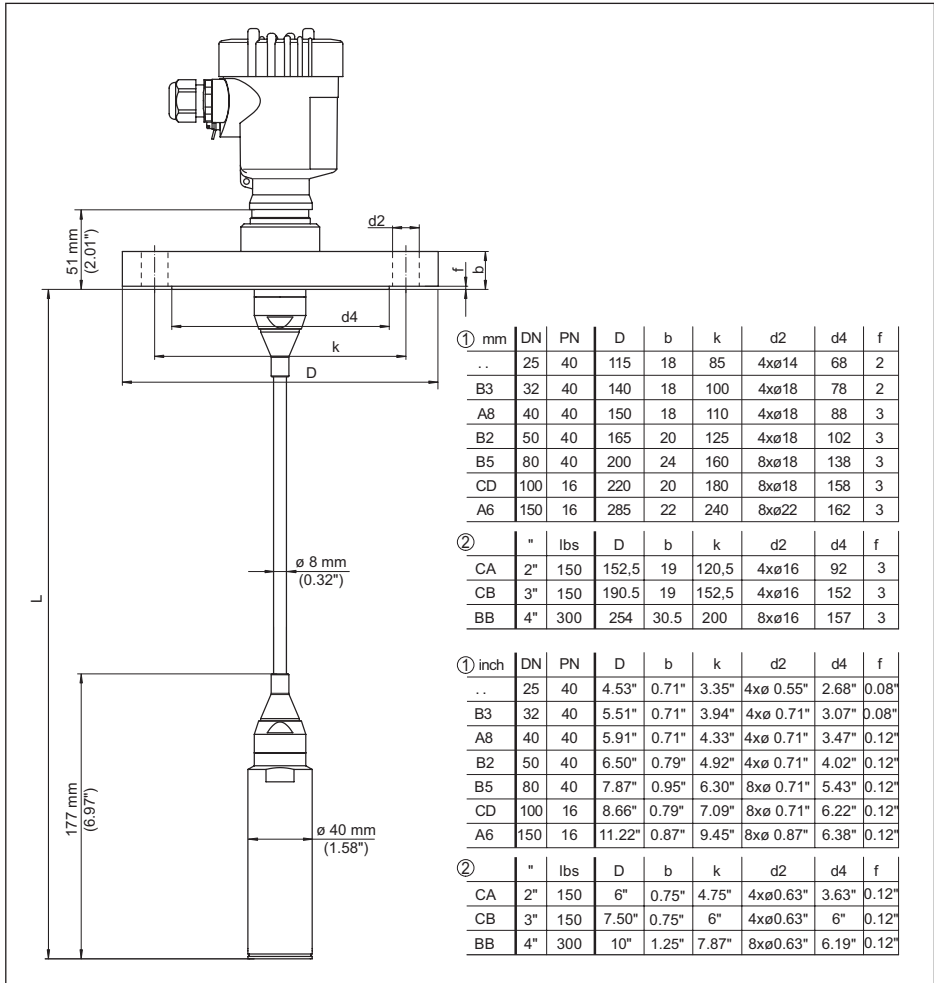


Fig. 48: VEGABAR 87, flange connection

- 1 Flanges according to DIN 2501
- 2 Flanges according to ASME B16.5
- L Total length from configurator

## VEGABAR 87, hygienic fitting

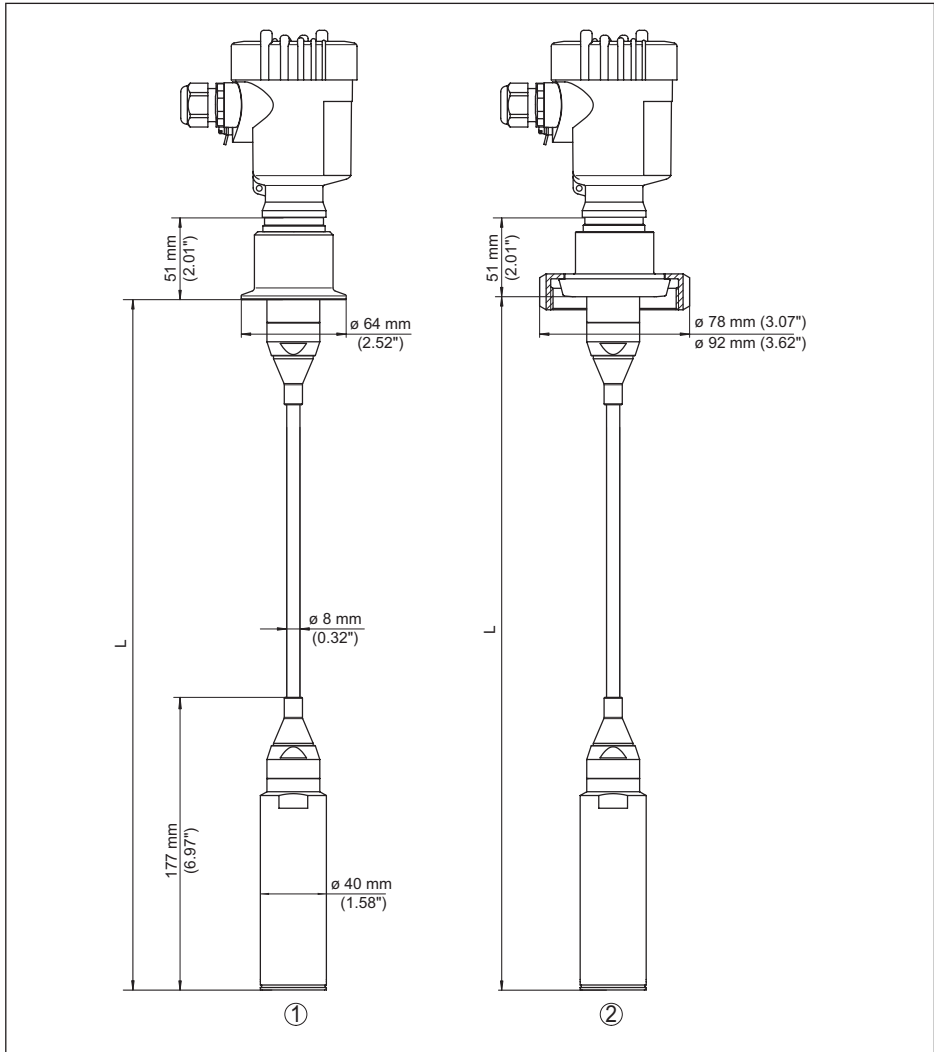


Fig. 49: VEGABAR 87, hygienic fittings

- 1 Clamp 2" PN 16 (ø 64 mm), (DIN 32676, ISO 2852)
- 2 Slotted nut DN 50
- L Total length from configurator

## 11.5 Industrial property rights

VEGA product lines are global protected by industrial property rights. Further information see [www.vega.com](http://www.vega.com).

VEGA Produktfamilien sind weltweit geschützt durch gewerbliche Schutzrechte.

Nähere Informationen unter [www.vega.com](http://www.vega.com).

Les lignes de produits VEGA sont globalement protégées par des droits de propriété intellectuelle. Pour plus d'informations, on pourra se référer au site [www.vega.com](http://www.vega.com).

VEGA lineas de productos están protegidas por los derechos en el campo de la propiedad industrial. Para mayor información revise la pagina web [www.vega.com](http://www.vega.com).

Линии продукции фирмы ВЕГА защищаются по всему миру правами на интеллектуальную собственность. Дальнейшую информацию смотрите на сайте [www.vega.com](http://www.vega.com).

VEGA系列产品在全球享有知识产权保护。

进一步信息请参见网站 < [www.vega.com](http://www.vega.com)。

## 11.6 Trademark

All the brands as well as trade and company names used are property of their lawful proprietor/originator.

**INDEX****A**

- Additional current output 36
- Adjust Date/Time 39
- Adjustment 32, 35
  - Overview 34
  - Unit 33

**C**

- Change the language 37
- Copy sensor settings 40
- Current output 36, 41

**D**

- Damping 35
- Default values 42
- Differential pressure measurement 8
- Display lighting 38
- Documentation 7

**E**

- EDD (Enhanced Device Description) 47
- Electrical connection 18, 19
- Error codes 50, 51

**F**

- Fault rectification 52
- Functional principle 9

**G**

- Grounding 18

**H**

- HART 41

**L**

- Level measurement 17
- Linearisation 36

**M**

- Maintenance 48
- Measured value memory 48
- Measurement setup
  - In the open vessel 17

**N**

- NAMUR NE 107 49

**P**

- Peak indicator 38
- Position correction 33

- Pressure compensation 15, 16, 17
  - Ex d 15

**Q**

- QR code 7

**R**

- Repair 54
- Reset 39

**S**

- Seal concept 9
- Serial number 7
- Service access 40
- Service hotline 52
- Set display parameters 37, 38
- Simulation 39

**T**

- Type label 7









Printing date:

**VEGA**

All statements concerning scope of delivery, application, practical use and operating conditions of the sensors and processing systems correspond to the information available at the time of printing.

Subject to change without prior notice

© VEGA Grieshaber KG, Schiltach/Germany 2023



45044-EN-230914

VEGA Grieshaber KG  
Am Hohenstein 113  
77761 Schiltach  
Germany

Phone +49 7836 50-0  
E-mail: [info.de@vega.com](mailto:info.de@vega.com)  
[www.vega.com](http://www.vega.com)