

## VEGABAR 87

### HART and accumulator pack

### Pressure transmitter with metallic measuring cell



#### Application area

The VEGABAR 87 is a pressure transmitter for pressure and level measurements of liquids and viscous products in the chemical, food processing and pharmaceutical industry. The device offers the possibility to detect even smallest measuring ranges from 0.1 bar.

Due to the integrated accumulator the instrument is particularly suitable as a portable measuring system or test sensor for special applications.

#### Your benefit

- Excellent measurement reliability even with quickly changing process temperatures
- High plant availability through vacuum resistant version
- Very good cleanability and high chemical resistance through adapted materials

#### Function

The heart of the pressure transmitter is the pressure measuring cell converting the pressure into an electrical signal. This pressure-dependent signal is converted by the integrated electronics into a standardized output signal. Different measuring cells are used for pressure detection.

The metallic METEC® measuring cell allows fully welded versions and also covers higher measuring ranges. The measuring cell is also equipped with a temperature sensor. The temperature value can be displayed via the display and adjustment module or processed via the signal output.

#### Technical data

Measuring ranges	+0.1 ... +25 bar/+10 ... +2500 kPa (+1.45 ... +363 psig)
Smallest measuring range	+0.1 bar/+10 kPa (+1.45 psig)
Deviation	< 0.1 %
Process fitting	Straining clamp, threaded fitting, thread ab G1½, 1½ NPT, flanges from DN 32, 1½"
Process temperature	-12 ... +100 °C (-10 ... +212 °F)
Ambient, storage and transport temperature	-40 ... +80 °C (-40 ... +176 °F)
Accumulator voltage	14.8 V DC
Life time with sensor permanently on and full accumulator	>60 h

#### Materials

The transmitter of the instrument is made of 316L. The process diaphragm consists of Alloy C276, the suspension cable of FEP.

You will find a complete overview of the available materials and seals in the "Configurator" at [www.vega.com](http://www.vega.com) and "Products".

#### Housing versions

The housing is available as double chamber version in plastic, stainless steel or aluminium.

#### Electronics versions

Apart from the two-wire electronics with 4 ... 20 mA or 4 ... 20 mA/HART, also purely digital versions with Profibus PA, Foundation Fieldbus and are available. In addition a version as Secondary sensor is available for the electronic differential pressure measurement.

#### Approvals

Worldwide approvals are available for VEGA instruments, e.g. for use in hazardous areas, on ships or in hygienic applications.

The technical data in the respective safety instructions are valid for approved instruments (e.g. with Ex approval). In some cases, these data can differ from the data listed herein.

You can find detailed information on the existing approvals with the appropriate product on our homepage.

## Adjustment

### Adjustment directly at the measuring point

The adjustment of the instrument is carried out via the optional display and adjustment module PLICSCOM or via a PC with the adjustment software PACTware and corresponding DTM.

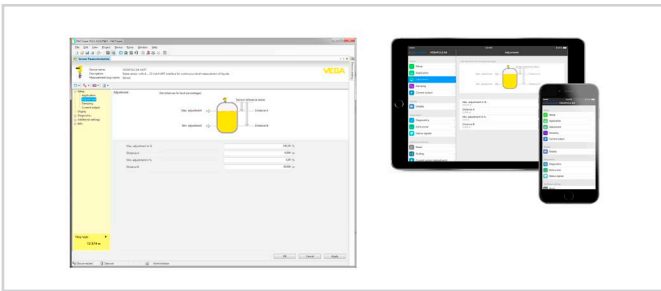
### Wireless adjustment via Bluetooth

The Bluetooth version of display and adjustment module enables a wireless connection to standard adjustment units. This can be smartphones/tablets with iOS or Android operating system or PCs with PACTware and Bluetooth USB adapter.



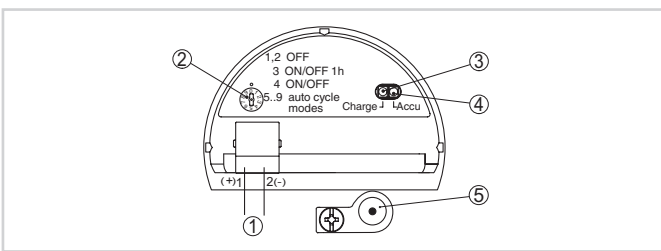
Wireless connection to standard operating devices

Adjustment is hence carried out via a free-of-charge app from the Apple App Store or the Google Play Store or via the adjustment software PACTware and respective DTM.



Adjustment via PACTware or app

## Voltage supply

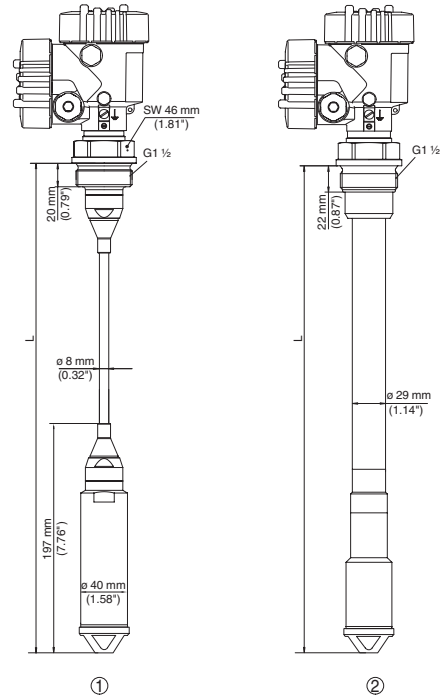


Supply room

- 1 Internal connection of the socket for the battery charger
- 2 Mode switch
- 3 LED green, charging process
- 4 LED yellow, charging status
- 5 Socket for the battery charger

You can find details on electrical connection in the instrument operating instructions at [www.vega.com/downloads](http://www.vega.com/downloads).

## Dimensions



- 1 Version with suspension cable and threaded fitting unassembled G1 1/2
- 2 Threaded version G1 1/2, suspension cable
- 3 Threaded version G1 1/2, connection tube

## Information

You can find further information on the VEGA product line on our homepage.

In the download section of our homepage you'll find operating instructions, product information, industry brochures and approval documents as well as device and adjustment software.

## Instrument selection

On our homepage under "Products" you can select the suitable measuring principle and instrument for your application.

There you will also find detailed information on the available device versions.

## Contact

You can find your personal contact person at VEGA on our homepage under "Contact".