

Operating Instructions

Electronics module

VEGADIS 81



Document ID: 49685



VEGA

Contents

1	About this document	
1.1	Function	3
1.2	Target group	3
1.3	Symbols used.....	3
2	For your safety	
2.1	Authorised personnel	4
2.2	Appropriate use.....	4
2.3	Safety instructions for Ex areas	4
2.4	Environmental instructions	4
3	Product description	
3.1	Configuration.....	5
3.2	Principle of operation.....	5
3.3	Packaging, transport and storage.....	5
4	Mounting	
4.1	General instructions	6
4.2	Installation procedure	6
5	Maintenance	
5.1	How to proceed if a repair is needed	8
6	Dismount	
6.1	Dismounting steps.....	9
6.2	Disposal	9
7	Supplement	
7.1	Technical data	10

1 About this document

1.1 Function

This operating instructions manual has all the information you need for quick mounting and setup of a replacement module. Please read this manual before you start setup.

1.2 Target group

This operating instructions manual is directed to trained specialist personnel. The contents of this manual should be made available to these personnel and put into practice by them.

1.3 Symbols used



Information, tip, note

This symbol indicates helpful additional information.



Caution: If this warning is ignored, faults or malfunctions can result.



Warning: If this warning is ignored, injury to persons and/or serious damage to the instrument can result.



Danger: If this warning is ignored, serious injury to persons and/or destruction of the instrument can result.



Ex applications

This symbol indicates special instructions for Ex applications.



SIL applications

This symbol indicates instructions for functional safety which must be taken into account particularly for safety-relevant applications.

• List

The dot set in front indicates a list with no implied sequence.

→ Action

This arrow indicates a single action.

1 Sequence of actions

Numbers set in front indicate successive steps in a procedure.

2 For your safety

2.1 Authorised personnel

All operations described in this operating instructions manual must be carried out only by trained specialist personnel authorised by the plant operator.

During work on and with the device the required personal protective equipment must always be worn.

2.2 Appropriate use

Electronics module, emitting electronics, housing or process components are replacement components for existing sensors.

2.3 Safety instructions for Ex areas

Please note the Ex-specific safety information for installation and operation in Ex areas. These safety instructions are part of the operating instructions manual and come with the Ex-approved instruments.

2.4 Environmental instructions

Protection of the environment is one of our most important duties. That is why we have introduced an environment management system with the goal of continuously improving company environmental protection. The environment management system is certified according to DIN EN ISO 14001.

Please help us fulfill this obligation by observing the environmental instructions in this manual:

- Chapter "*Packaging, transport and storage*"
- Chapter "*Disposal*"

3 Product description

3.1 Configuration

Scope of delivery

The scope of delivery encompasses:

- Electronics module VEGADIS 81
- Documentation
 - this operating instructions manual

3.2 Principle of operation

Area of application

The electronics module VEGADIS 81 is suitable for exchange with the external display and adjustment unit VEGADIS 81.

3.3 Packaging, transport and storage

Packaging

Your instrument was protected by packaging during transport. Its capacity to handle normal loads during transport is assured by a test based on ISO 4180.

The packaging of standard instruments consists of environment-friendly, recyclable cardboard. For special versions, PE foam or PE foil is also used. Dispose of the packaging material via specialised recycling companies.

Transport

Transport must be carried out in due consideration of the notes on the transport packaging. Nonobservance of these instructions can cause damage to the device.

Transport inspection

The delivery must be checked for completeness and possible transit damage immediately at receipt. Ascertained transit damage or concealed defects must be appropriately dealt with.

Storage

Up to the time of installation, the packages must be left closed and stored according to the orientation and storage markings on the outside.

Unless otherwise indicated, the packages must be stored only under the following conditions:

- Not in the open
- Dry and dust free
- Not exposed to corrosive media
- Protected against solar radiation
- Avoiding mechanical shock and vibration

Storage and transport temperature

- Storage and transport temperature see chapter "*Supplement - Technical data - Ambient conditions*"
- Relative humidity 20 ... 85 %

4 Mounting

4.1 General instructions

If the electronics module is defective, it can be replaced by the user.



In Ex applications, only instruments and electronics modules with appropriate Ex approval may be used.

If there is no electronics module available on site, one can be ordered from the VEGA agency serving you.

Assignment

First of all check if you are using the suitable electronics module. Compare the new electronics module with the existing one. The specifications on the type label must correspond. This applies mainly to instruments with approvals.



Warning:

Switch off voltage supply before starting the installation procedure. The replacement electronics may only be installed when the sensor is in a **de-energised state**. Non-observance will damage the electronics!

Installation procedure

4.2 Installation procedure

The electronics module is located in the electronics compartment of VEGADIS 81. The below illustration shows the position of the electronics compartment in an external housing.

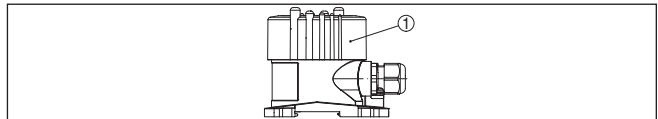


Fig. 1: Housing

1 Position of the electronics compartment in the housing

Proceed as follows:

1. Switch off power supply of the sensor
2. Unscrew the lid of the electronics compartment VEGADIS 81
3. Detach terminal block according to the operating instructions of VEGADIS 81
4. Loosen the two holding screws with a screwdriver (Torx size T 10 or slotted screwdriver size 4)

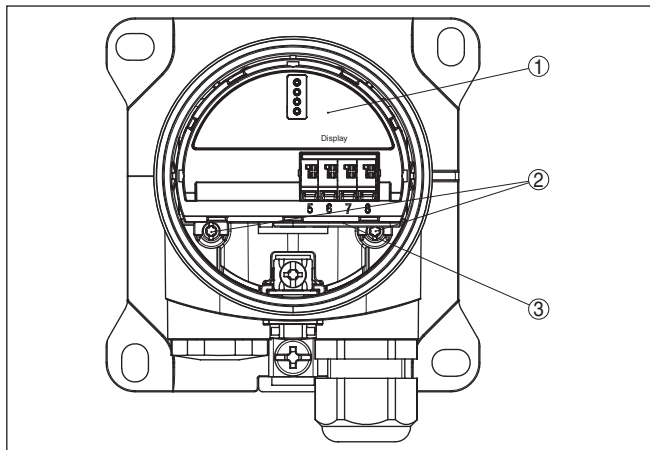


Fig. 2: Loosen the holding screws

- 1 Electronics module
- 2 Screws (2 pcs.)
- 3 Dismounting tool

5. Pull the previous electronics out with the dismounting tool.
6. Insert new electronics module.
7. Screw in the two holding screws and tighten them
8. Attach terminal block according to the operating instructions of VEGADIS 81
9. Screw the housing lid back on

The electronics exchange is now finished.



As a rule, an exchange of electronics must be documented internally if Ex applications are involved.

5 Maintenance

5.1 How to proceed if a repair is needed

You can find a repair form as well as detailed information on how to proceed at www.vega.com/downloads and "*Forms and certificates*".

By doing this you help us carry out the repair quickly and without having to call back for needed information.

If a repair is necessary, please proceed as follows:

- Print and fill out one form per instrument
- Clean the instrument and pack it damage-proof
- Attach the completed form and, if need be, also a safety data sheet outside on the packaging
- Please contact the agency serving you to get the address for the return shipment. You can find the agency on our home page www.vega.com.

6 Dismount

6.1 Dismounting steps

Take note of chapters "*Mounting*" and "*Connecting to power supply*" and carry out the listed steps in reverse order.

6.2 Disposal

The replacement module consists of materials which can be recycled by specialised recycling companies. We have purposely designed the electronic modules to be easily separable.

WEEE directive 2002/96/EG

This instrument is not subject to the WEEE directive 2002/96/EG and the respective national laws (in Germany e.g. ElektroG). Pass the instrument directly on to a specialised recycling company and do not use the municipal collecting points. These may be used only for privately used products according to the WEEE directive.

Correct disposal avoids negative effects on humans and the environment and ensures recycling of useful raw materials.

Materials: see chapter "*Technical data*"

If you have no way to dispose of the replacement module properly, please contact us concerning return and disposal.

7 Supplement

7.1 Technical data

Technical data

See operating instructions of VEGADIS 81.



Printing date:

VEGA

All statements concerning scope of delivery, application, practical use and operating conditions of the sensors and processing systems correspond to the information available at the time of printing.

Subject to change without prior notice

© VEGA Grieshaber KG, Schiltach/Germany 2015



49685-EN-150114

VEGA Grieshaber KG
Am Hohenstein 113
77761 Schiltach
Germany

Phone +49 7836 50-0
Fax +49 7836 50-201
E-mail: info.de@vega.com
www.vega.com