



## Refiner

### Reliable

Reliable measured values for the load release

### Cost effective

Reliable measurement protects against damage to the grinding set and avoids downtime

### User friendly

Flush mounting transmitter for maintenance-free measurement

### Pressure measurement on the refiner

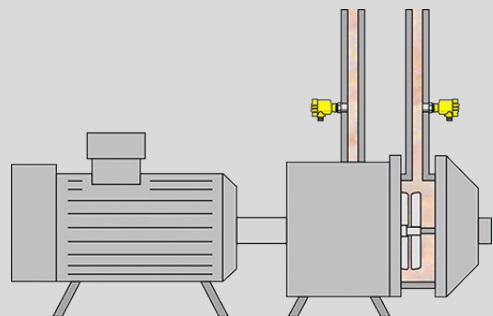
Refiners are used in paper production to grind up pulp. The main objective of the process is to impart certain properties to the pulp. Every refiner has a grinding set consisting of both fixed and rotating parts. The pressures at the input and output have to be measured for monitoring the loading and release of the grinding set as well as for display of performance.



### VEGABAR 82

Pressure measurement in the output pipe of the refiner

- Reliable measurement with ceramic CERTEC® measuring cell protects against damage and avoids production stoppages
- Maintenance-free self-cleaning effect through front-flush mounting
- Immune to pressure shocks, high temperatures and vibration, thanks to robust design of the sensor





## VEGABAR 82

### Measuring range - Distance

-

### Measuring range - Pressure

-1 ... 100 bar

### Process temperature

-40 ... 150 °C

### Process pressure

-1 ... 100 bar

### Accuracy

0.05 %

### Materials, wetted parts

PVDF

316L

Alloy C22 (2.4602)

PP

1.4057

1.4410

Alloy C276 (2.4819)

Duplex (1.4462)

Titanium Grade 2 (3.7035)

### Threaded connection

≥ G½, ≥ ½ NPT

### Flange connection

≥ DN15, ≥ ½"

### Hygienic fittings

Clamp ≥ 1" - DIN32676, ISO2852

Slotted nut ≥ DN25 - DIN 11851

hygienic fitting with tension flange DN32

hygienic fitting F40 with compression nut

DRD connection ø 65 mm

SMS 1145 DN51

SMS DN38

Swagelok VCR screwing

Varivent G125

Varivent N50-40

for NEUMO BioControl D50 PN16 / 316L

### Seal material

EPDM

FKM

FFKM