



Primary desalter

Reliable

High measuring precision, independent of process conditions

Cost effective

External mounting to the vessel, easily retrofitted

User friendly

Simple air and water calibration for fast commissioning time

Interface tracking in the primary desalter

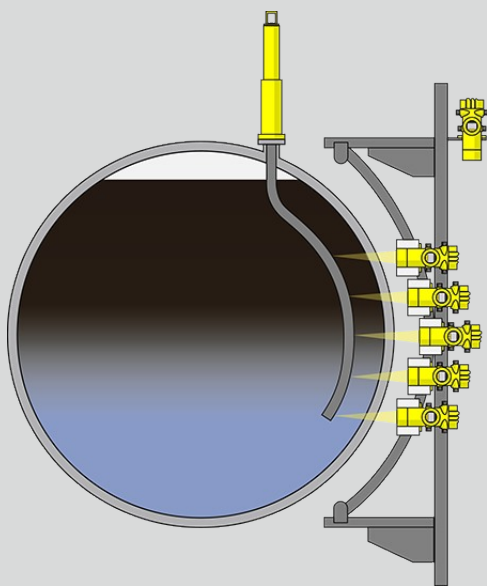
It is important that a desalter unit runs efficiently to prevent corrosion to downstream equipment. When the crude oil mixes with the emulsifying chemicals and water, the resulting emulsion layer makes it difficult for standard level measurement technologies to reliably track the interface. Radiation-based measuring instruments are not affected by this and allow to track the interface even with thick emulsion layers present in the tank to make sure that the desalting process can be controlled efficiently at maximum throughput.



MINITRAC 31

Multi-point density array for multi-phase interface and emulsion control

- Reliably tracks emulsion layer to keep the process stream efficient
- Optimises use of emulsifiers and other treatment chemicals
- Remains online even when replacing a detector to eliminate downtime
- Allows operator to maintain high throughput even when switching between light to heavy feedstock





MINITRAC 31

Measuring range - Distance

-

Process temperature

-40 ... 60 °C

Process pressure

-

Accuracy

0.1 %

Materials, wetted parts

No wetted material

Seal material

no media contact

Housing material

Aluminium

Stainless steel (precision casting)

Protection rating

IP66/IP67

Output

Profibus PA

Foundation Fieldbus

4 ... 20 mA/HART - four-wire

Ambient temperature

-40 ... 60 °C